



HANSEN P4

Powerful solutions for the mixer industry



COMPLETE AND POWERFUL SOLUTIONS FOR THE MIXER INDUSTRY

Investing in high quality drive components is important. Mixers work at the heart of the process. Frequently they have to be able to operate continuously and under extreme arduous conditions. Thus unit downtime can have consequences on plant profitability far in excess of the original equipment cost.

Hansen Industrial Transmissions nv has a long history of solid partnerships with suppliers and end-users in the mixer industry. Thousands of Hansen industrial gearboxes are installed worldwide, and the versatility and durability of these units is well documented.

They can be found working reliably under the most severe conditions, in chemical industries, biotechnology, hydrometallurgy, energy, food processing, pulp and paper, etc.

mixer industry

■ MATCHING THE DRIVE TO THE APPLICATION

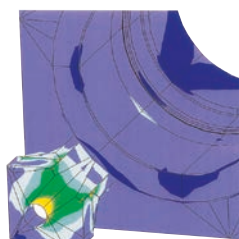
The basic design of a mixer consists of an impeller, a shaft and a drive unit mounted on the mixer tank. The interdependence between these items causes the design process to be interactive to arrive at the optimum. Mixing all kind of products and available in an almost infinite variety of sizes, shapes and designs, mixers do share a few characteristics.

This implies that certain factors must be carefully considered in the selection of the drive unit:

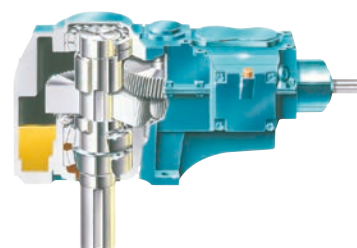
- Magnitude of normal operation torque and peak torque requirements.
- Magnitude of overhung loads on the low speed shaft.

- Length of the mixer shaft.
- Nature of the mixed medium.
- Composition of the vapour or dust produced during the mixing action. Many such applications give off flammable, toxic, or corrosive vapour and dust.

Our application engineering capabilities allow customisation of the drive unit, using a maximum of standard components. The extended bearing span, a wide selection of bearing configurations and different centring options have now been integrated to provide optimal and powerful solutions.



Stress simulation on the integrated extended bearing span of a vertical P4 gear unit.

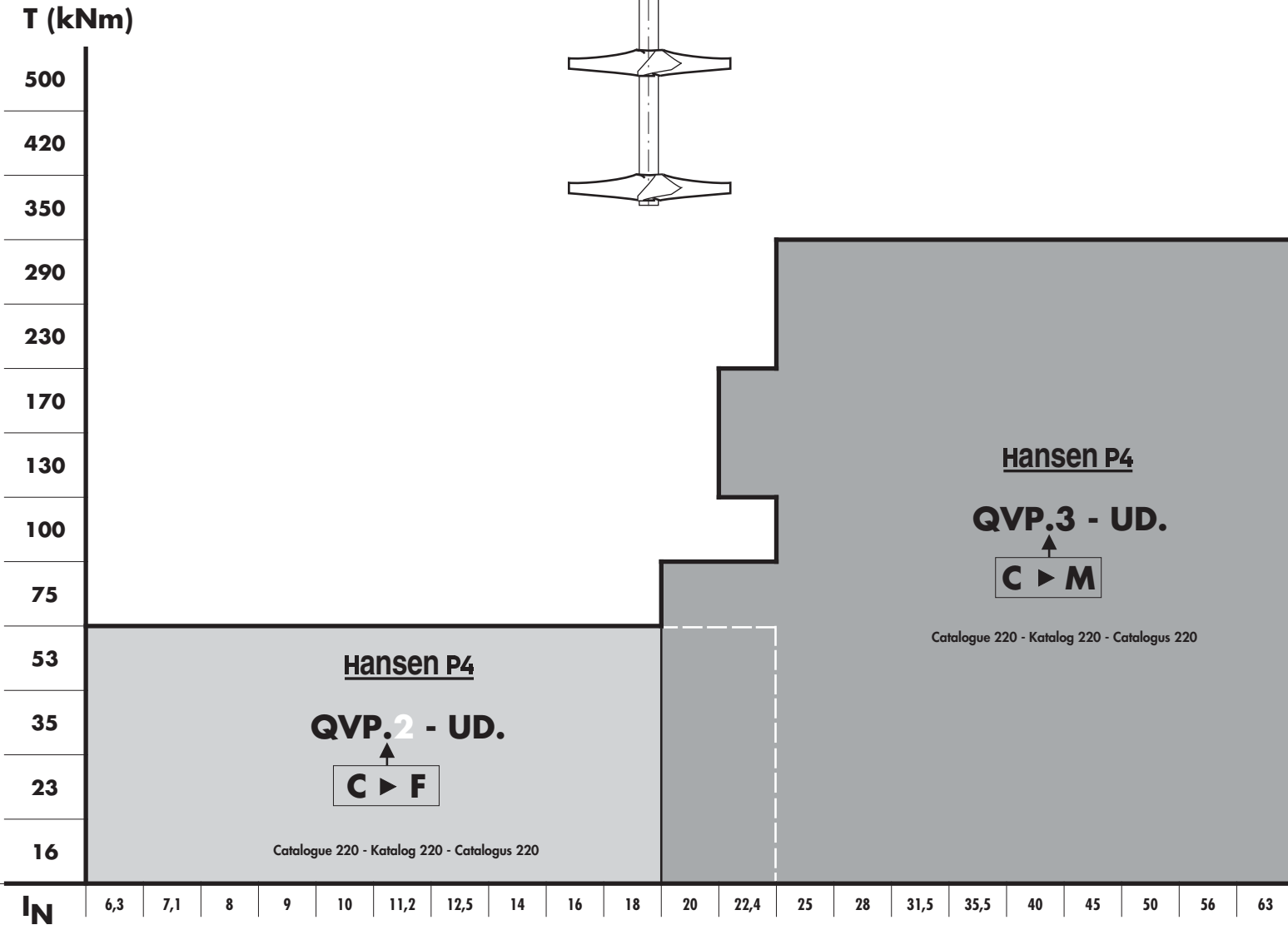
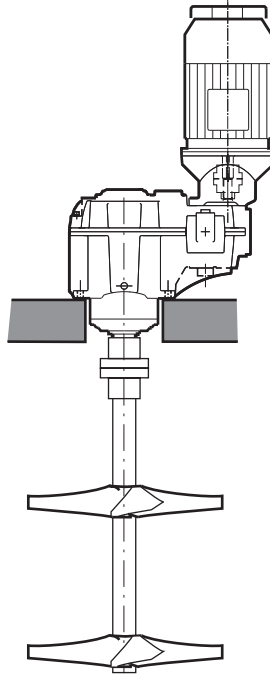


A powerful combination of a spherical roller bearing with tapered roller bearings provides extremely high thrust load and bending moment capacity.

Section A	Programme - Selection	A1-A4
	Description	
	Hansen P4 gear units, parallel and right-angle shafts	A5-A8
	Coupling range for mixer drives	A9-A10
Section B	Request for quotation	B1-B2
	Selection	B3
Section C	Product range	
	Contents	C
	Hansen P4	C1-C6
	Dimensional drawings	
	Hansen P4	C7-C52

Standardized gear units for mixer drives	Réducteurs standard pour l'entraînement de mélangeurs	Normzahnradgetriebe für Mischerantriebe	Standaard tandwielkasten voor mengeraandrijvingen	
Programme Selection	Programme Sélection	Programm Auswahl	Programma Selectie	
Parallel shafts	Arbres parallèles	Stirnräder	Evenwijdige assen	

I_N : 6,3 ▶ 63



Catalogue 220 - Katalog 220 - Catalogus 220

Catalogue 220 - Katalog 220 - Catalogus 220

T (kNm): nominal torque at low speed shaft

I_N : nominal ratio

T (kNm): couple nominal à l'arbre petite vitesse

I_N : rapport nominal

T (kNm): Nenn Drehmoment an Abtriebswelle

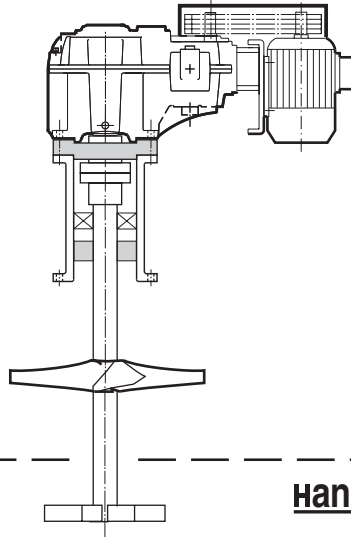
I_N : Nennübersetzung

T (kNm): nominaal koppel aan de langzaamdraaiende as

I_N : nominale verhouding

Standardized gear units for mixer drives	Réducteurs standard pour l'entraînement de mélangeurs	Normzahnradgetriebe für Mischerantriebe	Standaard tandwielkasten voor mengeraandrijvingen	
Programme Selection	Programme Sélection	Programm Auswahl	Programma Selectie	
Parallel shafts	Arbres parallèles	Stirnräder	Evenwijdige assen	

I_N : 71 ▶ 630



Hansen P4

QVP.. - UD.

N ▶ Q

Refer to us
Veuillez nous consulter
Rückfrage zu empfehlen
Gelieve ons te raadplegen

T (kNm)

500

420

350

290

230

170

130

100

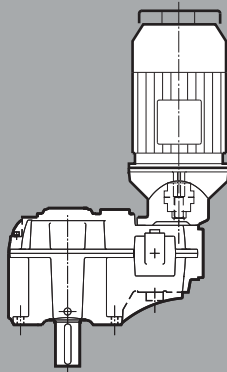
75

53

35

23

16



Hansen P4

QVP.. - UD.

C ▶ M

Catalogue 220 - Katalog 220 - Catalogus 220

71 80 90 100 112 125 140 160 180 200 224 250 280 315 355 400 450 500 560 630 **I_N**

T (kNm): nominal torque at low speed shaft

I_N : nominal ratio

T (kNm): couple nominal à l'arbre petite vitesse

I_N : rapport nominal

T (kNm): Nenndrehmoment an Abtriebswelle

I_N : Nennübersetzung

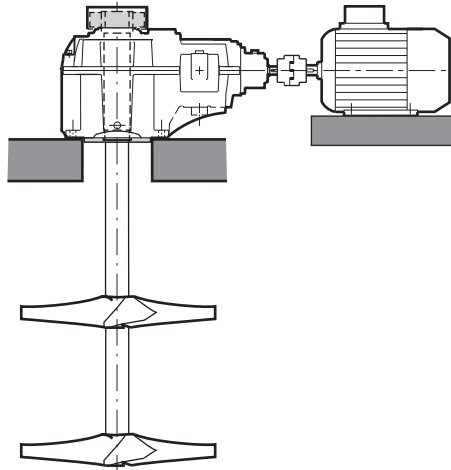
T (kNm): nominaal koppel aan de langzaamdraaiende as

I_N : nominale verhouding

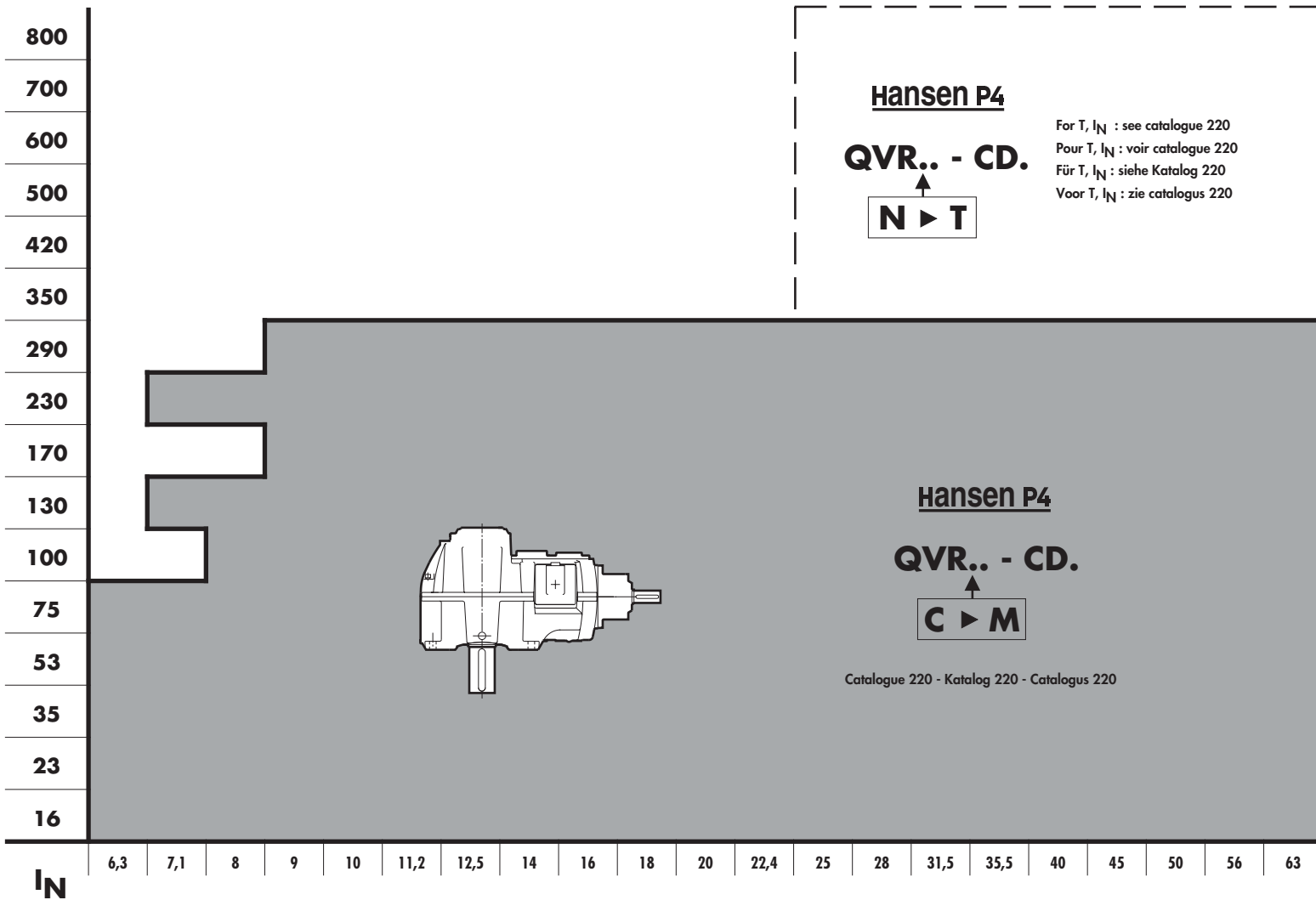
Standardized gear units for mixer drives	Réducteurs standard pour l'entraînement de mélangeurs	Normzahnradgetriebe für Mischerantriebe	Standaard tandwielkasten voor mengeraandrijvingen	
Programme Selection	Programme Sélection	Programm Auswahl	Programma Selectie	

Right-angle shafts	Arbres perpendiculaires	Kegel- und Stirnräder	Haakse assen
--------------------	-------------------------	-----------------------	--------------

$I_N: 6,3 \triangleright 63$



T (kNm)



T (kNm): nominal torque at low speed shaft

I_N : nominal ratio

T (kNm): couple nominal à l'arbre petite vitesse

I_N : rapport nominal

T (kNm): Nenn Drehmoment an Abtriebswelle

I_N : Nennübersetzung

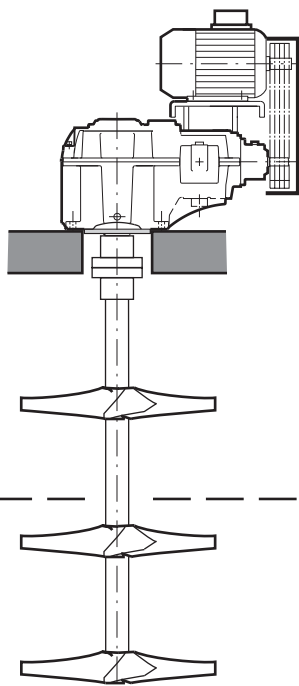
T (kNm): nominaal koppel aan de langzaamdraaiende as

I_N : nominale verhouding

Standardized gear units for mixer drives	Réducteurs standard pour l'entraînement de mélangeurs	Normzahnradgetriebe für Mischerantriebe	Standaard tandwielkasten voor mengeraandrijvingen	
Programme Selection	Programme Sélection	Programm Auswahl	Programma Selectie	

Right-angle shafts	Arbres perpendiculaires	Kegel- und Stirnräder	Haakse assen
--------------------	-------------------------	-----------------------	--------------

I_N : 71 ▶ 500

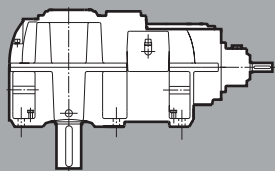


Hansen P4
QVR.. - CD.
N ▶ T

For T, I_N : see catalogue 220
 Pour T, I_N : voir catalogue 220
 Für T, I_N : siehe Katalog 220
 Voor T, I_N : zie catalogus 220

T (kNm)

- 800
- 700
- 600
- 500
- 420
- 350
- 290
- 230
- 170
- 130
- 100
- 75
- 53
- 35
- 23
- 15



Hansen P4
QVR.. - CD.
C ▶ M

Catalogue 220 - Katalog 220 - Catalogus 220

71	80	90	100	112	125	140	160	180	200	224	250	280	315	355	400	450	500	560	630
----	----	----	-----	-----	-----	-----	-----	-----	-----	-----	-----	-----	-----	-----	-----	-----	-----	-----	-----

I_N

T (kNm): nominal torque at low speed shaft

I_N : nominal ratio

T (kNm): couple nominal à l'arbre petite vitesse

I_N : rapport nominal

T (kNm): Nenndrehmoment an Abtriebswelle

I_N : Nennübersetzung

T (kNm): nominaal koppel aan de langzaamdraaiende as

I_N : nominale verhouding

Hansen P4 gear units for mixer drives

The gear unit

Power ratings

For the mechanical and thermal power ratings we refer to the Hansen P4 catalogue no 220.

Coding

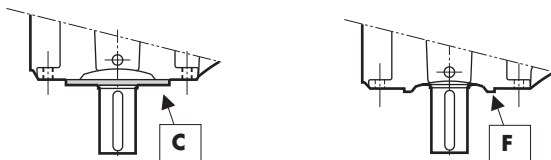


Type

- 1 : Series **Q** : Hansen P4
 2 : **V** : Vertical low speed shaft
 3 : **P** : Parallel shafts
 R : Right-angle shafts
 4 : Size: C, ..., M
 5 : Number of stages: 2, 3, 4

Centering on low speed shaft

- 5 bis : **no code** : no centering
 C : flange at low speed shaft cover
 F : spigot at fixation feet of the gear unit
 B : bottom entry gear unit
 D : bottom entry gear unit with spigot



Shaft arrangement

- 6 : High speed shaft extension: **C** : right-angle
 U : up
 7 : Low speed shaft extension: **D** : down
 U : up



- 8 : Low speed shaft type: **R** : normal solid shaft for mixers
 E : reinforced solid shaft
 L : extended bearing housing
 D : shrink disc hollow shaft
 K : keyway hollow shaft

Ratio

- 9 : Nominal ratio

Basic components

Helical and spiral bevel gears

Designed and rated in accordance with AGMA, ISO and the KNOW HOW of Hansen Industrial Transmissions nv for maximum load capacity, minimum losses and quiet operation.

All geared components are manufactured from alloy steel, gas carburized, hardened and precision ground.

Low speed shafts

The low speed shafts are in solid and hollow version. Hollow low speed shaft with keyway or shrink disc connection. Extended shafts or shafts with rifle bore are available upon request. For all executions, input and output shafts are located in the same vertical plane. Solid low speed shaft extension with normal or large shaft diameter. The low speed shaft is designed to allow considerable overhung loads.

Bearings

Heavy duty roller bearings of the tapered, cylindrical or spherical roller type. Calculated in compliance with AGMA, ISO and methods of renowned bearing manufacturers. The bearings are selected to allow considerable overhung loads. Extended bearing span available. Permissible overhung loads on low speed shaft: refer to us.

Housings, bearing housings and covers

Made from grey pearlitic cast iron. Machined on NC machine-tools. Designed to ensure strength and rigidity. Unused tapped holes are plugged. Horizontal split housing.

Systems

Lubrication

Lubricants: mineral oils are normally used. Lubricants should always contain adequate EP-additives (refer to Service Manual). Pump lubrication is standard.

A **flow switch** can be provided to check the oil flow to the gear unit. This switch can trigger an alarm signal when the oil supply is inadequate. The gear unit has to be stopped at once and the cause of the interruption of the oil supply has to be removed.

The gear unit housing acts as a large sump.

Grease points are centralised.

Checking of the oil level is done by means of the gear unit dipstick (always in the plugged position).

An **oil level switch**, to control the oil level in the gear unit, can be provided. This switch can trigger an alarm signal when the oil bath falls beneath a specified limit.

Specifications for electric instrumentation in hazardous locations: refer to us.

Cooling

Heat generated in the gear unit due to losses, can be dissipated by:

- natural cooling through the housing.
- additional fan cooling. Depending on the gear unit type, a shaft driven axial fan or an electrically driven axial fan can be incorporated. Characteristics of electrically driven fans: standard 3 phase, 50 Hz, 400 V ± 10%, Insulation class: IP 55.
- cooling coil: standardised cooling coils are available.
- forced cooling: standardised cooling groups are available.

Specifications for electric motors and instrumentations in hazardous locations: refer to us.

Sealing

- Static: • Generalized use of sealing compound
 • Inspection cover on the gear unit: O-ring

- Rotary: • High speed shaft:
 Oil Lock™: - dual purpose labyrinth
 - maintenance free
 - oil return to sump
- Low speed shaft: - dust lip oil seal
 - integrated drywell for solid shafts
 - double oil seal for hollow shafts
 - V-seal between cover and coupling at low speed shaft as an option: see page A7 - A8.

Motors

Foot mounted or flange mounted motors may be used depending on de drive configuration, see pages A1 - A4.

An adjustable motor base on top of the gear unit is possible. Refer to us.

The motor data on the dimensional drawings are based on the selection of standard IEC motor range. For more information on motors, refer to motor catalogue.

Use of two speed motors: when changing speed with two speed motors, the gear unit has to be slowed down below the low speed, before energising the slow speed winding.

Shipping conditions

Inspection prior to shipment

- Test run: all gear units are tested under no load
- Conformity Check

Lubricants

- Hansen P4 gear units are shipped without oil.
- Grease lubrication points are factory filled

For information relating to **storage, handling, installation, start-up and maintenance**, refer to the service manual which is supplied together with each gear unit.

Protection

- Painting:
 - outer side housing: all Hansen P4 gear units are standard provided with a two component epoxy coating. Improved surface protection: good corrosion protection for many years in a non-aggressive atmosphere. Dry film thickness: average 100 µm (primer included). Excellent base for all kinds of special paints, these can also be applied on site after a longer period of time. Suitable to apply humidity resistant paint and high resistant paint as an option.
 - inner side housing: oil resistant paint
 - inner components: sprayed with rust preventive oil
- Shaft extensions: greased and protected with waxed waterproof paper

Aggressive environment

Hansen Industrial Transmissions nv can offer additional protection systems such as:

- **high resistant painting**
- QPQ-protection of low speed shaft extension
- Maintenance procedure for long periods of standstill

Explanation of protection systems

Output shaft extension: QPQ anti-corrosion process as an alternative to stainless steel execution.

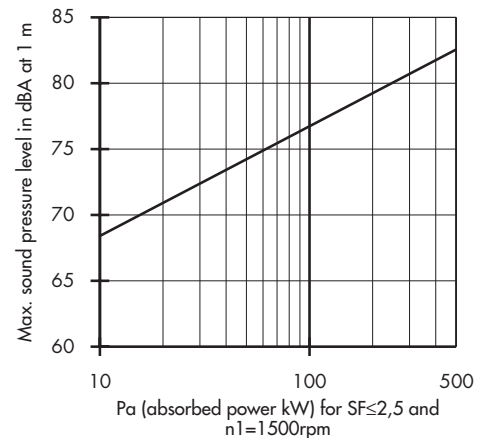
The Quench-Polish-Quench diffusion process is a salt-bath nitriding process consisting of quenching, surface smoothing and subsequent quenching.

The result is a wear resistant protective coat with a thickness of 10 to 20 µm.

Proven corrosion resistance of over 200 hours (salt spray test according to DIN 50021) favourably compares with a typical 62 hour corrosion resistance offered by a normal protective chrome coating and even with hard chromium protection (immersion test according to DIN 50905/4).

Sound pressure level

The chart shows the maximum sound pressure level at 1 meter, 90% probability for Hansen P4 gear units at 1500 rpm input speed. Certified sound pressure level on request.



Specifications for the applications

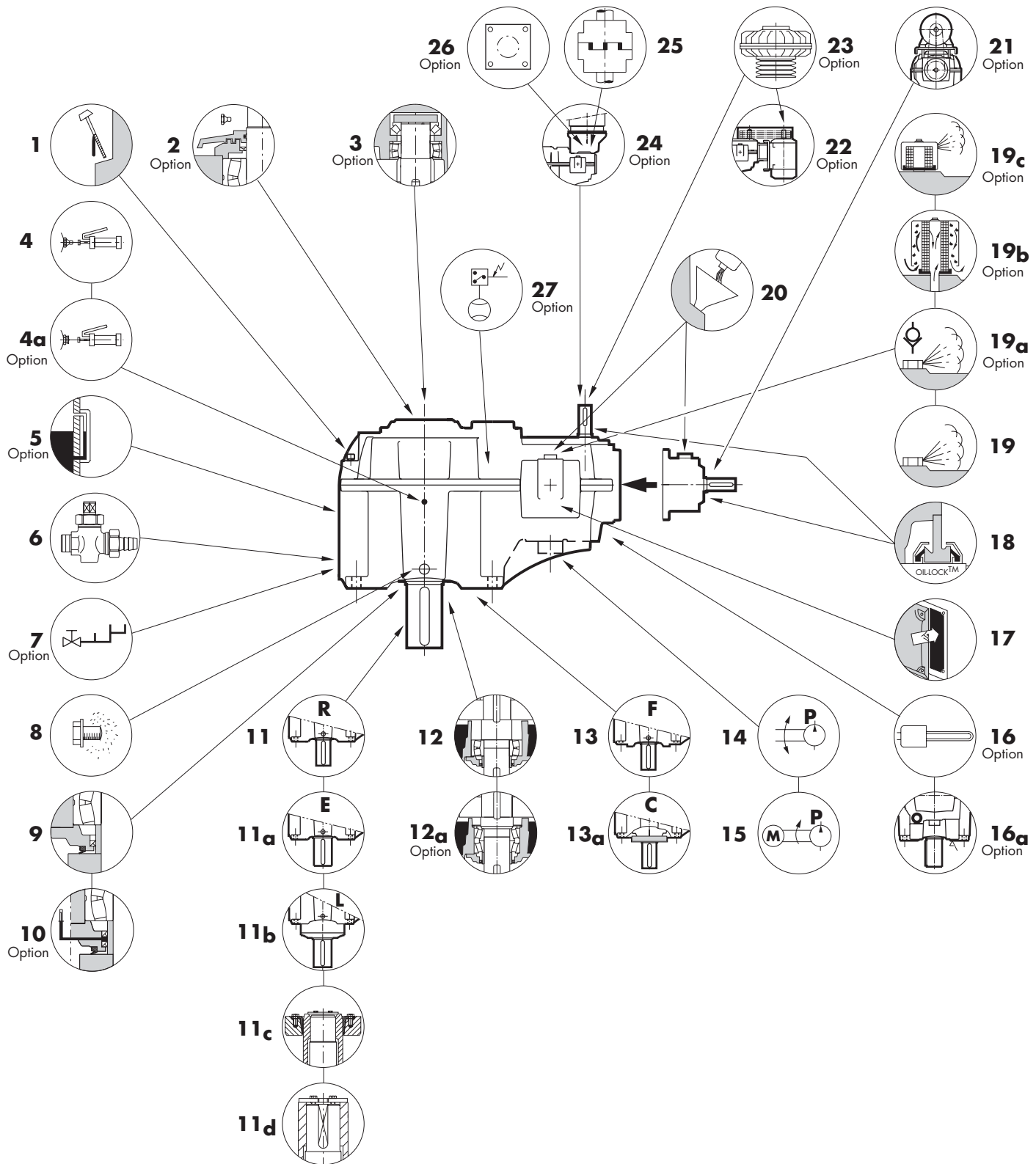
Instrumentation and options: see page A7- A8.

- Heaters: electrical heating devices for low temperature start-up are available for Hansen P4 gear units
- Integrated drywell at vertical low speed shaft assures 100% oil tightness
- To accommodate specific overhung load conditions, different heavy duty bearing arrangements are available. Permissible overhung load at the low speed shaft: see page A9

Selection

Refer to catalogue no 220 for selection of Hansen P4 gear unit

Mixer drives	Entraînement de mélangeurs	Mischer-antriebe	Menger-aandrijvingen	
Description	Description	Beschreibung	Beschrijving	
Gear units	Réducteurs à engrenages	Zahnradgetriebe	Tandwielkasten	



Mixer drives	Entraînement de mélangeurs	Mischerantriebe	Menger-aandrijvingen
Description	Description	Beschreibung	Beschrijving
Gear units	Réducteurs à engrenages	Zahnradgetriebe	Tandwielkasten

mark option required with <input checked="" type="checkbox"/>	marquer l'option requise de <input checked="" type="checkbox"/>	erforderliche Option mit <input checked="" type="checkbox"/> bezeichnen	vereiste optie aanduiden met <input checked="" type="checkbox"/>
1 dipstick	1 jauge d'huile	1 Ölmeßstab	1 oliepeilstang
2 <input type="checkbox"/> labyrinth seal with O-ring Bottom entry only	2 <input type="checkbox"/> labyrinthe avec joint torique Seulement pour réducteur sous le mélangeur	2 <input type="checkbox"/> Labyrinthabdichtung mit O-Ring Nur für Getriebe unter dem Mischer	2 <input type="checkbox"/> labyrintafdichting met O-ring Enkel voor aandrijving onder de menger
3 <input type="checkbox"/> spherical roller thrust bearing	3 <input type="checkbox"/> butée à rouleaux sphérique	3 <input type="checkbox"/> Axial-Pendelrollenlager	3 <input type="checkbox"/> sferische roltaatslager
4 grease point according to DIN 71412 or	4 point de graissage suivant DIN 71412 ou	4 Fettschmierpunkt nach DIN 71412 oder	4 vetsmeerpunt volgens DIN 71412 of
4a <input type="checkbox"/> grease point according to DIN 3404	4a <input type="checkbox"/> point de graissage suivant DIN 3404	4a <input type="checkbox"/> Fettschmierpunkt nach DIN 3404	4a <input type="checkbox"/> vetsmeerpunt volgens DIN 3404
5 <input type="checkbox"/> oil level glass	5 <input type="checkbox"/> indicateur de niveau d'huile	5 <input type="checkbox"/> Ölstandglas	5 <input type="checkbox"/> oliepeilglas
6 drain cock with hose coupling	6 robinet de vidange avec raccord pour tuyau	6 <input type="checkbox"/> Ölablaßhahn mit Rohranschluß	6 aftapkraan met slangpilaar
7 <input type="checkbox"/> condensation water drain Bottom entry only	7 <input type="checkbox"/> vidange de l'eau de condensation. Seulement pour réducteur sous le mélangeur	7 <input type="checkbox"/> Kondenswasserablaß Nur für Getriebe unter dem Mischer	7 <input type="checkbox"/> aflat condensatiewater Enkel voor aandrijving onder de menger
8 magnetic plug	8 bouchon aimanté	8 Magnetschraube	8 magneetstop
9 <input type="checkbox"/> V-seal between shaft cover and coupling	9 <input type="checkbox"/> étanchéité V entre le couvercle et l'accouplement	9 <input type="checkbox"/> V-Dichtung zwischen Deckel und Kupplung	9 <input type="checkbox"/> V-afdichting tussen deksel en koppeling
10 oil leakage detector for oil seals	10 contrôle de l'étanchéité des bagues	10 Ölleckage-Detektor für Dichtungsringe	10 olielek detector voor afdichtingen
11 normal solid shaft or	11 arbre plein normal ou	11 normale Vollwelle oder	11 normale volle as of
11a reinforced solid shaft or	11a arbre plein renforcé ou	11a Verstärkte Vollwelle oder	11a verzwaaarde volle as of
11b extended bearing housing or	11b boîtier de palier allongé ou	11b verlängertes Lagergehäuse oder	11b verlengd lagerhuis of
11c shrink disc hollow shaft or	11c arbre creux avec disque de serrage ou	11c Hohlwelle mit Schrumpfscheibe oder	11c holle as met krimpschijf of
11d keyway hollow shaft	11d arbre creux avec clavetage	11d Hohlwelle mit Paßfedernute	11d holle as met spiebaan
12 spherical roller bearings and integrated drywell on low speed shaft or	12 roulements à rouleaux sphériques et buselure à rebord intégrée à l'arbre petite vitesse ou	12 Pendelrollenlager und integriertes Steigrohr an der Abtriebswelle oder	12 sferische rollagers en geïntegreerd olieslot aan de langzaamdraaiende as of
12a <input type="checkbox"/> heavy duty bearings to take very high overhung loads, available for size C -> F; drywell on low speed shaft	12a <input type="checkbox"/> roulements largement dimensionnés pour la reprise de charges extérieures élevées, disponible pour taille C -> F; buselure à rebord intégrée à l'arbre petite vitesse	12a <input type="checkbox"/> Hochleistungslager zur Aufnahme von sehr hohen Außenlasten, verfügbar für Baugröße C -> F; integriertes Steigrohr an der Abtriebswelle	12a <input type="checkbox"/> lagers voor zwaar bedrijf voor de opname van zeer hoge uitwendige belasting, beschikbaar voor grootte C -> F; olieslot aan de langzaamdraaiende as
13 spigot at fixation feet of the gear unit or	13 épaulement aux pattes de fixation du réducteur ou	13 Paßrand an den Befestigungsflächen des Getriebes oder	13 pasrand aan de bevestigingsvoeten van de tandwielkast of
13a flange at low speed shaft cover	13a bride au couvercle de l'arbre petite vitesse	13a Flansch am Deckel der Abtriebswelle	13a flens aan het deksel van de langzaamdraaiende as
14 pump lubrication	14 lubrification par pompe	14 Pumpenschmierung	14 pompsmering
15 motorpump lubrication for two stages right-angle gear units sizes G -> M; refer to us	15 lubrification par moto-pompe pour les réducteurs à deux trains d'engrenages et à arbres perpendiculaires, taille G -> M; consulter nous	15 Motorpumpenschmierung für zweistufige Kegelstirnradgetriebe, Baugrößen G -> M, Rückfrage empfohlen	15 motorpompsmering voor tweetraps tandwielkasten met haakse assen, groottes G -> M; raadpleeg ons
16 <input type="checkbox"/> heater or	16 <input type="checkbox"/> réchauffeur ou	16 <input type="checkbox"/> Heizstab oder	16 <input type="checkbox"/> verwarmingselement of
16a <input type="checkbox"/> machining allowing fitting of heater by customer	16a <input type="checkbox"/> usinage prévu pour montage d'un réchauffeur par le client	16a <input type="checkbox"/> Bearbeitung zur Montage von Heizkörper durch den Kunden	16a <input type="checkbox"/> bewerking voor een door de klant te monteren verwarmingselement
17 gear unit inspection cover	17 couvercle d'inspection du réducteur	17 Getriebe-Schaulochdeckel	17 inspectiedeksel van de tandwielkast
18 Oil-Lock™ seal	18 étanchéité Oil-Lock™	18 Oil-Lock™ Dichtung	18 Oil-Lock™ afdichting
19 breather plug or	19 reniflard ou	19 Entlüftungsschraube oder	19 verluchtingsstop of
19a <input type="checkbox"/> anti-humidity breather plug or	19a <input type="checkbox"/> reniflard anti-humidité ou	19a <input type="checkbox"/> Entlüftungsschraube für feuchte Umgebung oder	19a <input type="checkbox"/> antivochtverluchtingsstop of
19b <input type="checkbox"/> anti-humidity breather filter or	19b <input type="checkbox"/> reniflard anti-humidité avec filtre ou	19b <input type="checkbox"/> Entlüftungsfiter für feuchte Umgebung oder	19b <input type="checkbox"/> antivochtverluchtingsfilter of
19c <input type="checkbox"/> dust-proof breather plug	19c <input type="checkbox"/> reniflard anti-poussière	19c <input type="checkbox"/> Entlüftungsschraube mit Staubfilter	19c <input type="checkbox"/> verluchtingsstop met stoffilter
20 oil filler plug	20 bouchon de remplissage	20 Öleinfüllschraube	20 vulstop
21 <input type="checkbox"/> M4 adjustable motor base	21 <input type="checkbox"/> base réglable pour moteur M4	21 <input type="checkbox"/> M4 verstellbare Motorbasis	21 <input type="checkbox"/> M4 regelbare motorbasis
22 <input type="checkbox"/> M2 adjustable motor base	22 <input type="checkbox"/> base réglable pour moteur M2	22 <input type="checkbox"/> M2 verstellbare Motorbasis	22 <input type="checkbox"/> M2 regelbare motorbasis
23 <input type="checkbox"/> hydrodynamic coupling with V-belt pulley; vertical mounting	23 <input type="checkbox"/> coupleur hydrodynamique avec poulie à gorge; montage vertical	23 <input type="checkbox"/> hydrodynamische Kupplung mit Keilriemenscheibe; vertikale Montage	23 <input type="checkbox"/> hydro-dynamische koppeling met V-riemschijf; verticale montage
24 <input type="checkbox"/> gear unit with lantern housing standard elastic block-type coupling	24 <input type="checkbox"/> réducteur avec lanterne accouplement élastique standard à tampons	24 <input type="checkbox"/> Getriebe mit Laterne Standard elastische Klauenkupplung	24 <input type="checkbox"/> tandwielkast met lantaarn standaard elastische blokkenkoppeling
25 <input type="checkbox"/> inspection cover for coupling	25 <input type="checkbox"/> couvercle d'inspection pour l'accouplement	25 <input type="checkbox"/> Schaulochdeckel für Kupplung	25 <input type="checkbox"/> controledeksel voor koppeling
26 <input type="checkbox"/> flow switch	26 <input type="checkbox"/> contacteur de débit	26 <input type="checkbox"/> Strömungsschalter	26 <input type="checkbox"/> debietschakelaar

Coupling range for mixer drives shafts connection gear unit - mixer

Rigid couplings

The large rigidity of the coupling allows the extension of the gear unit output shaft without the need of an intermediate bearing block. It is particularly suited for vertical applications such as mixers and agitators.

The rigid coupling is especially designed for vertical applications which require a rigid link between the low speed shaft of the gear unit and the driven machine.

The standard coupling version consists of two identical hubs made either of steel or nodular cast-iron depending on the coupling size.

For the axial fixation of the hubs, the tapped hole of the gear unit's shaft end is used.

The two hubs are bolted together by means of standard bolts and screws complying with the EN 24010 and DIN 980 V.

Elastic pin type couplings

The elastic pin type coupling consists of two halves, one of which carries steel driving pins. Synthetic rubber bushes are vulcanized to brass sleeves mounted freely on the driving pins. This allows them to rotate freely and move slightly lengthwise. The stress exerted onto the bearings is thus significantly reduced.

A unique scalloped barrel shape of the bushes guarantees a uniform distribution of loads even in case of misalignment. This ensures increased durability of both bushes and pins.

The elastic pin type coupling transmits torque and absorbs overloads in all circumstances whilst assuring a long life.

Flexible gear type couplings

The flexible gear type coupling is a coupling of large torsional rigidity. This compact all-metal coupling is capable of absorbing important shock loads.

The applied torque is transmitted from one hub to the other via a connecting sleeve.

The teeth on the hub and sleeve have been precision-machined on high-performance machines.

The clearance between the teeth is reduced as much as possible, while providing the required coupling flexibility. With the severe machining tolerances, compression is distributed evenly over the whole toothing.

The flexible gear type coupling is lubricated with grease. The gap between the two hubs forms a grease chamber. When the coupling is in operation, the centrifugal force pushes the grease automatically between the teeth.

The flexible gear type coupling covers by a large variety of arrangements.

Especially the arrangement provided with a steel plate mounted on a thrust bearing or ball bearing is suitable for vertical shaft applications.

Features

- easy replacement
- high capability to cushion bending, torsional and thrust loads
- fail-safe
- wide temperature range
- suitable for operation in aggressive environment

Features

- strong
- flexible elements are loaded in compression
- fail-safe design
- capacity to withstand high overloads
- bushes designed for long life

Features

- crowned tooth face
- compact design
- flexible coupling
- high torsional rigidity
- high shock-load capacity
- capable to accommodate various misalignments
- wide torque range

Couplings and V-belt drives for mixer drivesshafts connection motor - gear unit

Elastic block type coupling

The symmetrical block type coupling is characterized by a simple and compact design.

Its flexible elements are loaded in compression only.

The coupling is capable of handling significant overloads and transmitting torque under all conditions.

The block type coupling consists of two identical coupling halves made of grey lamellar cast iron.

Each coupling half comprises a number of claws which fit in the recesses provided in the other half, but which are separated by the high quality flexible **Perbunan** elements. Depending on the coupling size, either several individual elements or a single circular element is used.

Fluid couplings

The hydrodynamic coupling lets the motor start under light load conditions

The coupling is capable of absorbing possible shock loads and protects the driven machine against continuous light overload.

The hydrodynamic coupling consists of two main elements: an impeller and a runner, both equipped with radial vanes.

The impeller (pump), which is directly driven by the motor, transforms the mechanical energy into hydrodynamic energy in the oil. This energy is used to drive the rotor (turbine) which is connected to the gear unit.

Results:

- the driving shaft torque is always equal to the driven shaft torque
- the speed of the driven element is always slightly lower than the speed of the driving element (difference is called slip)
- the amount of slip is dependant upon the speed, the torque transmitted and the quantity of oil in the coupling
- the power loss is equal to the percentage of slip (2 - 6 %)
- the hydrodynamic coupling is suited for both directions of rotation.

V-belt drives

V-belt pulleys for use with both wedge (narrow) conform to ISO 4184 and classical V-belt. Section groove according to ISO 4183 - 1980. Material: fine grain cast iron.

Pulleys with taper bushes .

Features

- compact
- simple
- fail-safe
- heavy overload capacity
- torsional elasticity and shock dam

Features

- no load start for the motor
 - low starting current
 - no stalling
- protection for the machine
 - protection against a continuous overload
 - smooth acceleration
 - shock dampening
- max. starting torque 200% of nominal torque (150% with delay chamber)
- arrangement with pin type coupling
- arrangement with V-belt pulley
other arrangements available.

Features

- large range of ratios
- easy mounting and dismounting of pulleys

Mixer drives

1. APPLICATION

- Mixer: top entry
bottom entry



2. LOAD PARAMETERS

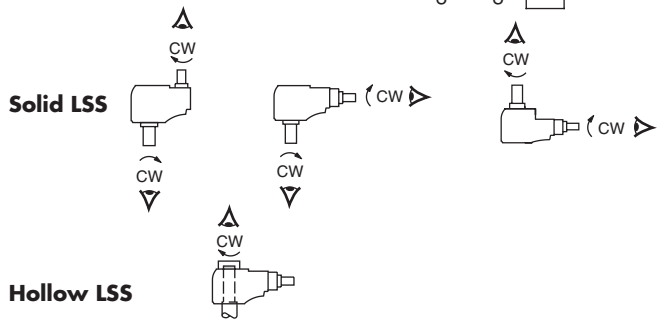
Motor power $P_m =$ kW at min^{-1}
Absorbed power $P_a =$ kW
 Absorbed torque $T_a =$ kNm
Running time in h/day ≤ 3 ≤ 10 > 10
 Peak torque in excess of 200% $T_a =$ %
 Number of starts-stops/per 10 hours :

3. SPEED

One constant speed **two constant speeds**
Variable speed
High speed shaft (HSS) n_1 : variable : $\leq \text{min}^{-1} \leq$
 constant : min^{-1}
 min^{-1}
 direction of rotation : CW CCW
Low speed shaft (LSS) n_2 : $\leq \text{min}^{-1} \leq$
 $\leq \text{min}^{-1} \leq$
 direction of rotation : CW CCW

Gear unit shaft configuration :

Parallel
Right-angle



4. PRIME MOVER

Electric motor
 Internal combustion engine: single cylinder
 multi cylinder

5. CONNECTION MOTOR/GEAR UNIT

Flexible coupling
 Hydrodynamic coupling
 V-belt drive:
 pulley diameter: motor: mm/gear unit: mm
 belt section:
 number of belts:
 Other:

6. CONNECTION GEAR UNIT/APPLICATION

Solid shaft :
 coupling
Hollow shaft : keyway
 shrink disc
 Gear unit with torque arm Y N

7. OVERHUNG LOAD ON LOW SPEED SHAFT

Radial load
 - Radial force F_r (kN)
 - Distance from F_r to shaft shoulder L_r

average load continuous operation		maximum load normal operation		exceptional load	
F_r	L_r	F_r	L_r	F_r	L_r
<input type="text"/>	<input type="text"/>	<input type="text"/>	<input type="text"/>	<input type="text"/>	<input type="text"/>
<input type="text"/>	<input type="text"/>	<input type="text"/>	<input type="text"/>	<input type="text"/>	<input type="text"/>

Thrust load

Weight of rotor and coupling = kN
 Hydrodynamic thrust load towards gear unit = + kN
 away from gear unit = - kN
 Hydrostatic thrust load towards gear unit = + kN
 away from gear unit = - kN
 Pressure load towards gear unit = + kN

8. MIXED MEDIUM

Liquids constant density
 variable density
 Liquids and solids
 Air or gaz injection Y N

9. INSTALLATION PARAMETERS

Ambient temperature ($^{\circ}\text{C}$) min: max:
Location : small enclosure indoor outdoor
 Direct sun exposure Y N
 Extended periods of standstill (≥ 1 month) Y N
 Max. noise power: dBA
 Max. noise pressure: dBA at m
 Atmosphere: humid
 dusty
 aggressive, to specify
Electric installation AC 3 Ph V Hz
 Main power supply
 Auxiliary power supply
 Protection requirement:
 Insulation:

Hazardous location

Motor protection EEx d EEx de
 EEx e Ex N MEx
 Dust ignition Protection IP65
 Specify Temperature Class "T"
 Specify Zone and Group Zone ... Group I II
 Gear unit control equipment protection EEx i other
 Max. motor noise power: dBA
 Max. motor noise pressure: dBA at m

If additional cooling is required, what is not allowed:

Fan
 Oil to air cooler
 Cooling coil
 Oil to water cooler
 Availability of water Y N
 if aggressive, specify

10. OPTIONAL SPECIFICATIONS

Options to be indicated on pages A7-A8
Motor mount IEC frame:
 (if not IEC, add dimensional drawing)
Shafts inch
 extended shaft end: indicate on sketch of application
Corrosion protection (see page A6)
 bolts: stainless steel for lantern housing only

PAINTING : Selection of corrosivity category

Durability range - Iso 12944-1	Corrosivity category - Iso 12944-2					
	C1	C2	C3	C4	C5-I	C5-M
L (Low)	<input type="checkbox"/>	<input type="checkbox"/>	<input type="checkbox"/>	<input type="checkbox"/>	<input type="checkbox"/>	<input type="checkbox"/>
M (Medium)	<input type="checkbox"/>	<input type="checkbox"/>	<input type="checkbox"/>	<input type="checkbox"/>	<input type="checkbox"/>	<input type="checkbox"/>
H (High)	<input type="checkbox"/>	<input type="checkbox"/>	<input type="checkbox"/>	<input type="checkbox"/>	<input type="checkbox"/>	<input type="checkbox"/>

Not allowable materials Al
 Cu

11. SHIPMENT

Transport by
 vessel
 train
 truck

12. SKETCH OF APPLICATION

with indication of mixer shaft bearing arrangement

TOP VIEW

SIDE VIEW

please indicate tilt angles if $\geq 5/1000$

Other data available in :

13. OTHER

Procedure

Reference Data

S
E
L
E
C
T
I
O
N

SELECTION DATA
Pm, Pa, nHSS, nLSS, iN, Shaft configuration

SERVICE FACTOR

For applications covered by this catalogue

- Mixers / agitators**
 - Pure liquids
 - Liquids and solids
 - Liquids variable density

SF min					
3h / 24h		10h / 24h		24h / 24h	
on Pa	on Pm	on Pa	on Pm	on Pa	on Pm
1,15	1,15	1,15	1,15	1,25	1,25
1,15	1,15	1,25	1,25	1,6	1,5
1,15	1,15	1,25	1,25	1,7	1,5

$$P \geq \begin{matrix} \text{Motor Power } P_m \\ \times \\ \text{SFmin} \end{matrix} \text{ and } \begin{matrix} \text{Absorbed Power } P_a \\ \times \\ \text{SFmin} \end{matrix}$$

$$T(kNm) = \frac{P(kW) \times 9,550}{n_{LSS} (min^{-1})}$$

PROGRAMME SELECTION

Hansen P4

V-belt drive

Coupling

refer to pages B1-B2 : "Request for quotation of mixer drives"

The service factors SFmin are empirical values based on AGMA specifications and our experience. They apply for "State of the art" designed driven machines and normal operating conditions. Refer to us for special designed applications or special operating conditions.

refer to pages A1 - A4

refer to catalogue no 220

refer to us

refer to us

C
H
E
C
K

Overhung load on low speed shaft

Thermal rating:

refer to us

refer to catalogue no 220

- **Standardized gear units with parallel shafts**
 - Solid low speed shaft C1
 - Hollow low speed shaft C2

- **Standardized motor-reducers with parallel shafts**
 - Solid low speed shaft C3
 - Hollow low speed shaft C4

- **Standardized gear units with right angle shafts**
 - Solid low speed shaft C5
 - Hollow low speed shaft C6

- **Mounting pad**
 - Dimensions C44

- **Centering flange at low speed shaft**
 - Dimensions C45/C46

- **Spigot at fixation feet**
 - Dimensions C47/C48

- **Bottom entry gear unit with spigot**
 - Dimensions C49

- **Available space for removal of dipstick and magnetic plug**
 - Dimensions C50

- **Vertical hollow low speed shaft with shrink disc connection**
 - Dimensions C51

- **Vertical hollow low speed shaft with keyway connection**
 - Dimensions C52

PRODUCT RANGE

DIMENSIONAL DRAWINGS

GAMME DE PRODUITS

PLANS D'ENCOMBREMENT

PRODUKT-PALETTE

MAßZEICHNUNGEN

PRODUCT-GAMMA

MAATTEKENINGEN

Code	1 Q	2 V	3 P	4 Size	5	5bis (*)	6 -	7	8		Pag. Seite	Centering Centrage * Zentrierung Centrerung						
Gear unit with solid vertical low speed shaft	Réducteur à engrenages avec arbre petite vitesse vertical et plein	P	C ▶ F	2 st.				U	D	R		C7						
			C ▶ M	3 st.				U	D	R		C11-13						
			D ▶ M	4 st.					U	D		R	C17-19					
			C ▶ M	3 st.					U	D	E		$D_2 > D_1$	C11-13				
			C ▶ M	4 st.					U	D	E		$(D_2/D_1)^3=1,5$	C17-19				
			D ▶ M	3 st.					U	D	L		$D_3 > D_1$	C21-22				
			D ▶ M	4 st.					U	D	L		$(D_3/D_1)^3=3$	C24-25				
			Zahnrad-getriebe mit vertikale langsamdrehende Vollwelle	QV	P	C ▶ F	2 st.	C			U	D	R		C7	C45		
						C ▶ M	3 st.	C			U	D	R		C11-13	C45		
						D ▶ M	4 st.	C				U	D		R	C17-19	C45	
						D ▶ M	3 st.	C				U	D	E		$D_2 > D_1$	C11-13	C45
						D ▶ M	4 st.	C				U	D	E		$(D_2/D_1)^3=1,5$	C17-19	C45
Tandwielkast met verticale volle langzaamdraaiende as	QV	P				C ▶ F	2 st.	F			U	D	R		C7	C47-48		
						C ▶ M	3 st.	F			U	D	R		C11-13	C47-48		
						D ▶ M	4 st.	F				U	D		R	C17-19	C47-48	
						C ▶ M	3 st.	F				U	D	E		$D_2 > D_1$	C11-13	C47-48
						D ▶ M	4 st.	F				U	D	E		$(D_2/D_1)^3=1,5$	C17-19	C47-48

Size N ▶ T: refer to us

Taille N ▶ T: Veuillez nous consulter

Baugröße N ▶ T: Rückfrage zu empfehlen

Grootte N ▶ T: gelieve ons te raadplegen

(*): no code: no centering
C: flange (QV...C)
F: spigot (QV...F)

pas du code: pas de centrage
C: bride (QV...C)
F: épaulement (QV...F)

keine Kode: keine Zentrierung
C: Flansch (QV...C)
F: Paßrand (QV...F)

geen code: geen centering
C: flens (QV...C)
F: pasrand (QV...F)

PRODUCT RANGE

GAMME DE PRODUITS

PRODUKT-PALETTE

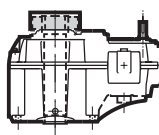
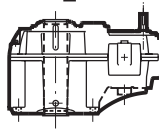
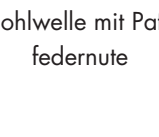
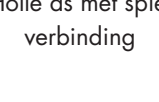
PRODUCT-GAMMA

DIMENSIONAL DRAWINGS

PLANS D'ENCOMBREMENT

MAßZEICHNUNGEN

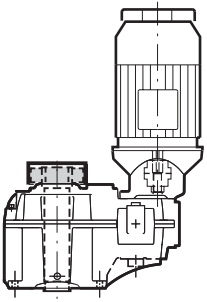
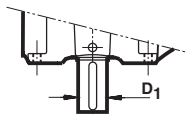
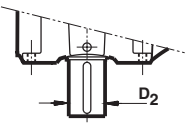
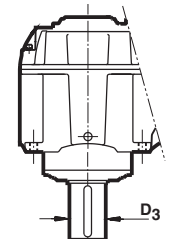
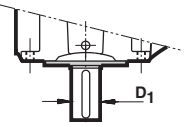
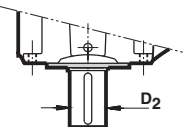
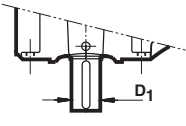
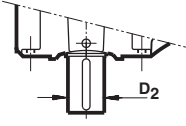
MAATTEKENINGEN

Code	1	2	3	4	5	5 bis (*)	6	7	8 (**)	Pag. - Seite	Hollow shaft Arbre creux Hohlwelle **	Centering Centrage Zentrierung *								
	Q	V											P	Size	U	D	D			
Gear unit with vertical hollow low speed shaft	QV	P		Shrink disc connection	C ▶ F	2 st.		U	D	D	C8	C51								
					C ▶ M	3 st.		U	D	D	C12-14	C51								
					D ▶ M	4 st.		U	D	D	C18-20	C51								
					C ▶ F	2 st.		U	D	D	C8	C51	C46							
					C ▶ M	3 st.	C	U	D	D	C12-14	C51	C46							
					D ▶ M	4 st.		U	D	D	C18-20	C51	C46							
					C ▶ F	2 st.					C8	C51	C47-48							
					C ▶ M	3 st.	F	U	D	D	C12-14	C51	C47-48							
					D ▶ M	4 st.					C18-20	C51	C47-48							
					Zahnradgetriebe mit vertikale langsamdrehende Hohlwelle	P		Hollow shaft with keyway	C ▶ F	2 st.					C8	C52				
									C ▶ M	3 st.		U	D	K	C12-14	C52				
									D ▶ M	4 st.					C18-20	C52				
C ▶ F	2 st.									C8	C52	C46								
C ▶ M	3 st.	C	U	D					K	C12-14	C52	C46								
D ▶ M	4 st.									C18-20	C52	C46								
Tandwielkast met verticale holle langzaamdraaiende as	P		Hohlwelle mit Paßfedernute	C ▶ F					2 st.					C8	C52	C47-48				
				C ▶ M					3 st.	F	U	D	K	C12-14	C52	C47-48				
				D ▶ M					4 st.					C18-20	C52	C47-48				
				Holle as met spieverbinding					P		Holle as met spieverbinding	C ▶ F	2 st.					C8	C52	C47-48
												C ▶ M	3 st.	F	U	D	K	C12-14	C52	C47-48
												D ▶ M	4 st.					C18-20	C52	C47-48

(*): no code: no centering pas du code: pas de centrage keine Kode: keine Zentrierung geen code: geen centering
 C: flange (QV...C) C: bride (QV...C) C: Flansch (QV...C) C: flens (QV...C)
 F: spigot (QV...F) F: épaulement (QV...F) F: Paßrand (QV...F) F: pasrand (QV...F)

(**): ..D: shrink disc ..D: disques de serrage ..D: Schrumpfscheibe ..D: krimpschijf
 ..K: keyed connection ..K: clavetage ..K: Paßfeder ..K: spieverbinding

PRODUCT RANGE GAMME DE PRODUITS PRODUKT-PALETTE PRODUCT-GAMMA

Code	1 Q	2 V	3 P	4 Size	5	5bis (*)	6	7	8	Pag. Seite	Centering Centrage * Zentrierung Centrerung	
<p>Motor-reducer with solid vertical low speed shaft</p> <p>Moto-réducteur avec arbre petite vitesse vertical et plein</p> <p>QV</p> <p>Motor-getriebe mit vertikale langsamdrehende Vollwelle</p> <p>Motor-reductiekast met verticale volle langzaamdraaiende as</p>		<p>P</p>	C ▶ F 2 st.	2 st.		U	D	R		C9		
			C ▶ H 3 st.	3 st.		U	D	R		C15		
			D ▶ H 3 st.	3 st.		U	D	E		$D_2 > D_1$	C15	
										$(D_2/D_1)^3=1,5$		
			D ▶ H 3 st.	3 st.		U	D	L		$D_3 > D_1$	C21	
										$(D_3/D_1)^3=3$		
			C ▶ F 2 st.	2 st.	C	U	D	R			C9	C45
			C ▶ H 3 st.	3 st.	C	U	D	R		C15	C45	
			D ▶ H 3 st.	3 st.	C	U	D	E		$D_2 > D_1$	C15	C45
										$(D_2/D_1)^3=1,5$		
			C ▶ F 2 st.	2 st.	F	U	D	R			C9	C47-48
			C ▶ H 3 st.	3 st.	F	U	D	R		C15	C47-48	
D ▶ H 3 st.	3 st.	F	U	D	E		$D_2 > D_1$	C15	C47-48			
							$(D_2/D_1)^3=1,5$					

Size N ▶ T: refer to us

Taille N ▶ T: Veuillez nous consulter

Baugröße N ▶ T: Rückfrage zu empfehlen

Grootte N ▶ T: gelieve ons te raadplegen

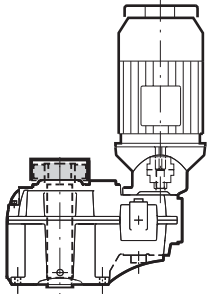
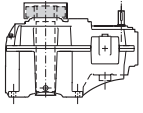
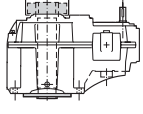
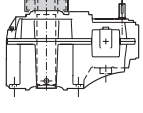
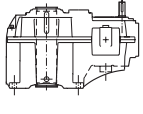
(*): no code: no centering
C: flange (QV...C)
F: spigot (QV...F)

pas du code: pas de centrage
C: bride (QV...C)
F: épaulement (QV...F)

keine Kode: keine Zentrierung
C: Flansch (QV...C)
F: Paßrand (QV...F)

geen code: geen centering
C: flens (QV...C)
F: pasrand (QV...F)

PRODUCT RANGE GAMME DE PRODUITS PRODUKT-PALETTE PRODUCT-GAMMA

										Pag. - Seite			
Code	1 Q	2 V	3 P	4 Size	5 5bis (*)	6	7	8 (**)		P	Hollow shaft Arbre creux Hohlwelle ** Holle as	Centering Centrage Zentrierung*	
<p>Motor-reducer with vertical hollow low speed shaft</p> <p>Moto-réducteur avec arbre petite vitesse vertical et creux</p> <p>QV P</p> <p>Motor-getriebe mit vertikale langsamdrehende Hohlwelle</p> <p>Motor-reductiekast met verticale holle langzaamdraaiende as</p>				C ▶ H	3 st.			D	 Shrink disc connection Frettes à disques de serrage Schrumf-scheibenverbindung Krimp-schijfverbinding	C16	C51		
				C ▶ H	3 st.	C			D		C16	C51	C46
				C ▶ H	3 st.	F			D		C16	C51	C47-48
				C ▶ F	2 st.				K		C10	C52	
				C ▶ H	3 st.				K	Hollow shaft with keyway	C16	C52	
				C ▶ F	2 st.	C			K	Arbre creux avec clavetage	C10	C52	C46
			C ▶ H	3 st.	C			K	Hohlwelle mit Paßfeder-nute	C16	C52	C46	
			C ▶ F	2 st.	F			K	Holle as met spieverbinding	C10	C52	C47-48	
			C ▶ H	3 st.	F			K		C16	C52	C47-48	

(*): no code: no centering
 C: flange (QV...C)
 F: spigot (QV...F)

pas du code: pas de centrage
 C: bride (QV...C)
 F: épaulement (QV...F)

keine Kode: keine Zentrierung
 C: Flansch (QV...C)
 F: Paßrand (QV...F)

geen code: geen centering
 C: flens (QV...C)
 F: pasrand (QV...F)

(**): ..D: shrink disc
 ..K: keyed connection

..D: disques de serrage
 ..K: clavetage

..D: Schrumf-scheibe
 ..K: Paßfeder

..D: krimpschijf
 ..K: spieverbinding

PRODUCT RANGE

DIMENSIONAL DRAWINGS

GAMME DE PRODUITS

PLANS D'ENCOMBREMENT

PRODUKT-PALETTE

MAßZEICHNUNGEN

PRODUCT-GAMMA

MAATTEKENINGEN

Code	1 Q	2 V	3 R	4 Size	5	5bis (*)	-	6	7	8		Pag. Seite	Centering Centrage * Zentrierung Centrerung	
Gear unit with solid vertical low speed shaft	R			C ▶ M	2 st.			C	D	R		C27-29		
				C ▶ M	3 st.			C	D	R		C31-33		
				D ▶ M	4 st.			C	D	R		C35-37		
				C ▶ M	3 st.			C	D	E		D ₂ > D ₁	C31-33	
				D ▶ M	4 st.			C	D	E		(D ₂ /D ₁) ³ =1,5	C35-37	
				D ▶ M	3 st.			C	D	L		D ₃ > D ₁	C39-40	
				D ▶ M	4 st.			C	D	L		(D ₃ /D ₁) ³ =3	C41-42	
				C ▶ M	2 st.	C		C	D	R			C27-29	C45
				C ▶ M	3 st.	C		C	D	R		C31-33	C45	
				D ▶ M	4 st.	C		C	D	R		C35-37	C45	
				C ▶ M	3 st.	C		C	D	E		D ₂ > D ₁	C31-33	C45
				D ▶ M	4 st.	C		C	D	E		(D ₂ /D ₁) ³ =1,5	C35-37	C45
C ▶ M	2 st.	F		C	D	R			C27-29	C47-48				
C ▶ M	3 st.	F		C	D	R		C31-33	C47-48					
D ▶ M	4 st.	F		C	D	R		C35-37	C47-48					
C ▶ M	3 st.	F		C	D	E		D ₂ > D ₁	C31-33	C47-48				
D ▶ M	4 st.	F		C	D	E		(D ₂ /D ₁) ³ =1,5	C35-37	C47-48				
D - F	2 st.	B		C	U	N			C43					
		D						C43 &	C49					

Size N ▶ T: refer to us

Taille N ▶ T: Veuillez nous consulter

Baugröße N ▶ T: Rückfrage zu empfehlen

Grootte N ▶ T: gelieve ons te raadplegen

(*): no code: no centering
 C: flange (QV...C)
 F: spigot (QV...F)
 B: bottom entry gear unit (QV...B)
 D: bottom entry gear unit with spigot (QV...D)

pas du code: pas de centrage
 C: bride (QV...C)
 F: épaulement (QV...F)
 B: réducteur sous le mélangeur (QV...B)
 D: réducteur sous le mélangeur avec épaulement (QV...D)

keine Kode: keine Zentrierung
 C: Flansch (QV...C)
 F: Paßrand (QV...F)
 B: Getriebe unter dem Mischer (QV...B)
 D: Getriebe unter dem Mischer mit Paßrand (QV...D)

geen code: geen centrering
 C: flens (QV...C)
 F: pasrand (QV...F)
 B: aandrijving onder de menger (QV...B)
 D: aandrijving onder de menger met pasrand (QV...D)

PRODUCT RANGE

GAMME DE PRODUITS

PRODUKT-PALETTE

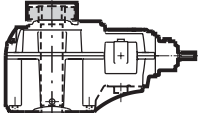
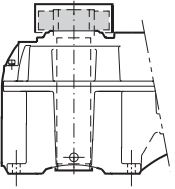
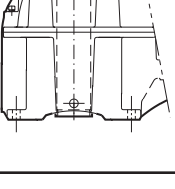
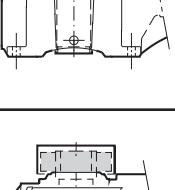
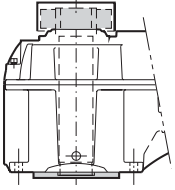
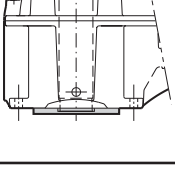
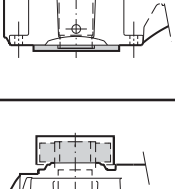
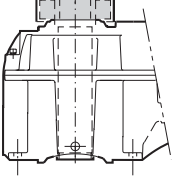
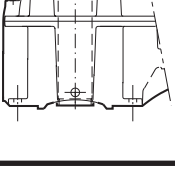
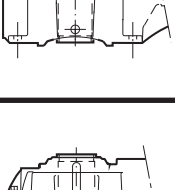
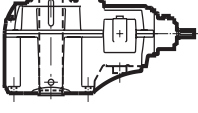
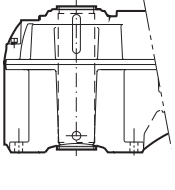
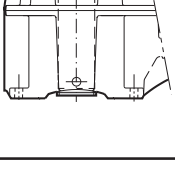
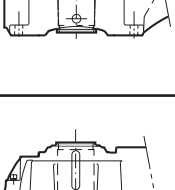
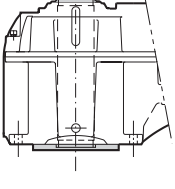
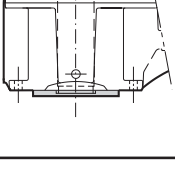
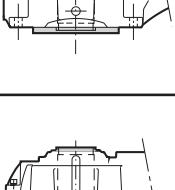
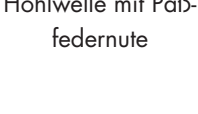
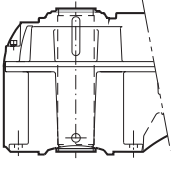
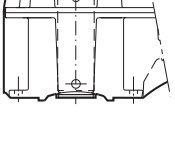
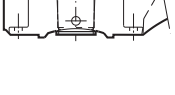
PRODUCT-GAMMA

DIMENSIONAL DRAWINGS

PLANS D'ENCOMBREMENT

MAßZEICHNUNGEN

MAATTEKENINGEN

Code	1 Q	2 V	3 R	4 Size	5 5 bis (*)	6	7	8 (**)		Pag. - Seite	Hollow shaft Arbre creux Hohlwelle **	Centering Centrage Zentrierung *				
Gear unit with vertical hollow low speed shaft	R		Shrink disc connection	C ▶ F	2 st.		C	D	D		C28	C51				
			Frettes à disques de serrage	C ▶ M	3 st.		C	D	D		C32-34	C51				
				D ▶ M	4 st.		C	D	D		C36-38	C51				
				C ▶ F	2 st.	C	C	D	D		C28	C51	C46			
				C ▶ M	3 st.	C	C	D	D		C32-34	C51	C46			
				D ▶ M	4 st.	C	C	D	D		C36-38	C51	C46			
				C ▶ F	2 st.	F	C	D	D		C28	C51	C47-48			
				C ▶ M	3 st.	F	C	D	D		C32-34	C51	C47-48			
				D ▶ M	4 st.	F	C	D	D		C36-38	C51	C47-48			
			Zahnradgetriebe mit vertikale langsamdrehende Hohlwelle	R		Hollow shaft with keyway	C ▶ F	2 st.		C	D	K		C28	C52	
						Arbre creux avec clavetage	C ▶ M	3 st.		C	D	K		C32-34	C52	
							D ▶ M	4 st.		C	D	K		C36-38	C52	
	C ▶ F	2 st.					C	D	K		C28	C52	C46			
	C ▶ M	3 st.				C	C	D	K		C32-34	C52	C46			
	D ▶ M	4 st.					C	D	K		C36-38	C52	C46			
Tandwielkast met verticale holle langzaamdraaiende as	R					Hohlwelle mit Paßfedernute	C ▶ F	2 st.		C	D	K		C28	C52	C47-48
						Holle as met spieverbinding	C ▶ M	3 st.	F	C	D	K		C32-34	C52	C47-48
							D ▶ M	4 st.		C	D	K		C36-38	C52	C47-48

(*): no code: no centering pas du code: pas de centrage keine Kode: keine Zentrierung geen code: geen centering
 C: flange (QV...C) C: bride (QV...C) C: Flansch (QV...C) C: flens (QV...C)
 F: spigot (QV...F) F: épaulement (QV...F) F: Paßrand (QV...F) F: pasrand (QV...F)

(**): ..D: shrink disc ..D: disques de serrage ..D: Schrumpfscheibe ..D: krimpschijf
 ..K: keyed connection ..K: clavetage ..K: Paßfeder ..K: spieverbinding

mm

Gear unit	Réducteur à engrenages	Zahnradgetriebe	Tandwielkast	Q
Vertical L.S.S.	Arbre P.V. vertical	Langsamdr. Welle: vert.	Langz. dr. as: vertic.	V
Parallel shafts	Arbres parallèles	Stirnräder	Evenwijdige assen	P
Size	Taille	Baugröße	Grootte	C ▶ F
Two stages	Deux étages	Zweistufig	Tweetraps	2
For mixer drives	Pour mélangeurs	Für Mischerantriebe	Voor mengeraandrijvingen	

The user is responsible for the provision of **safety guards** and correct installation of all equipment.

Certified dimensions upon request.

Les dispositifs de protection doivent être prévus par l'utilisateur. Celui-ci est responsable de l'installation correcte de l'ensemble.

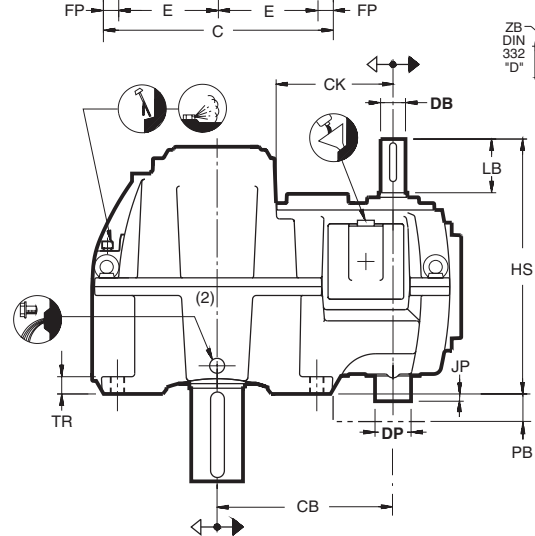
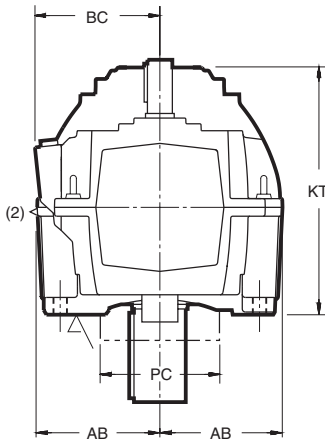
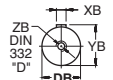
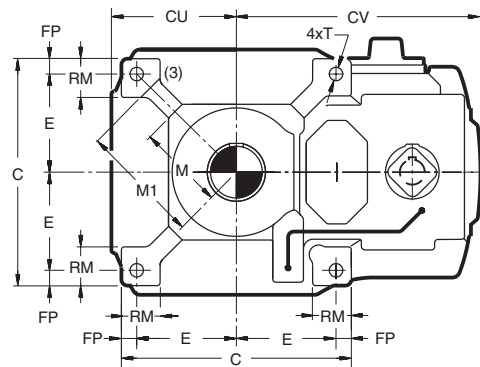
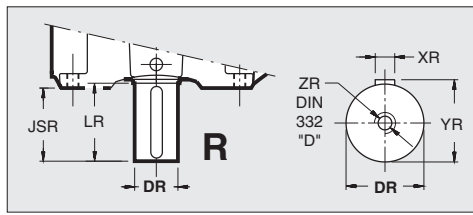
Dimensions définitives sur demande.

Der Benutzer ist verantwortlich für die Beistellung der **Schutzhauben** und das fachgemäße Aufstellen der gesamten Ausrüstung.

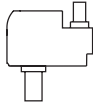
Verbindl. Abmessungen auf Wunsch.

De gebruiker is verantwoordelijk voor het voorzien van de **beschermkappen** en het vakkundig installeren van de volledige uitrusting.

Bindende afmetingen op verzoek.



UDR



Shaft arrangements
(front view)

Dispositions des arbres
(vue en élévation)

Wellenanordnungen
(Vorderansicht)

Asschikkingen
(vooraanzicht)

- (1) Space for pump removal
- (2) Grease lubrication point
- (3) Minimum mounting pad surface, see page C44

Type	AB	BC	C	CB	CK	CU	CV	E	FP	HS	JSR	KT	M	M ₁ (3)	RM	T	TR	kg	Litres Liter
QVPC2	255	280	470	345	233	260	487	200	35	520	204	491	165	225	95	28	38	360	31
QVPD2	285	290	530	397	265	290	553	225	40	605	207	557	195	260	95	35	40	520	37
QVPE2	320	335	600	459	305	326	637	260	40	665	245	630	225	310	105	35	45	790	58
QVPF2	365	372	690	525	345	370	720	295	50	735	293	678	265	340	135	42	52	1110	85

- (1) Espace de démontage de la pompe
- (2) Point de graissage
- (3) Surface de fixation minimale aux pattes de fixation, voir page C44

Type	Shafts Keys - Arbres Clavettes - Wellen Paßfeder - Assen Spieën					DIN 6885-T1 "FormA"					Pump - Pompe Pumpe - Pomp			
	Solid - Plein - Voll - Vol R					DB	LB	XB	YB	ZB	DP (1)	JP	PB (1)	PC (1)
	DR-m6	LR	XR	YR	ZR									
QVPC2	110	210	28	116	M24	48k6	110	14	51,5	M16	110	29	75	110
QVPD2	120	210	32	127	M24	58m6	140	16	62	M20	110	19	65	110
QVPE2	140	250	36	148	M30	65m6	140	18	69	M20	145	-1	50	145
QVPF2	160	300	40	169	M30	75m6	140	20	79,5	M20	145	6	60	145

- (1) Freier Raum für Demontage der Pumpe
- (2) Fettschmierstelle
- (3) Mindestbefestigungsoberfläche an den Befestigungsfüßen, siehe Seite C44

- (1) Vrije ruimte voor demontage pomp
- (2) Vetsmeerpunt
- (3) Minimum bevestigingsoppervlak aan de bevestigingsvoeten, zie blz. C44

Gear unit	Réducteur à engrenages	Zahnradgetriebe	Tandwielkast	Q
Vertical L.S.S.	Arbre P.V. vertical	Langsamdr. Welle: vert.	Langz. dr. as: vertic.	V
Parallel shafts	Arbres parallèles	Stirnräder	Evenwijdige assen	P
Size	Taille	Baugröße	Grootte	C ▶ F
Two stages	Deux étages	Zweistufig	Tweetraps	2
For mixer drives	Pour mélangeurs	Für Mischerantriebe	Voor mengeraandrijvingen	

mm

The user is responsible for the provision of **safety guards** and correct installation of all equipment.

Certified dimensions upon request.

Les dispositifs de protection doivent être prévus par l'utilisateur. Celui-ci est responsable de l'installation correcte de l'ensemble.

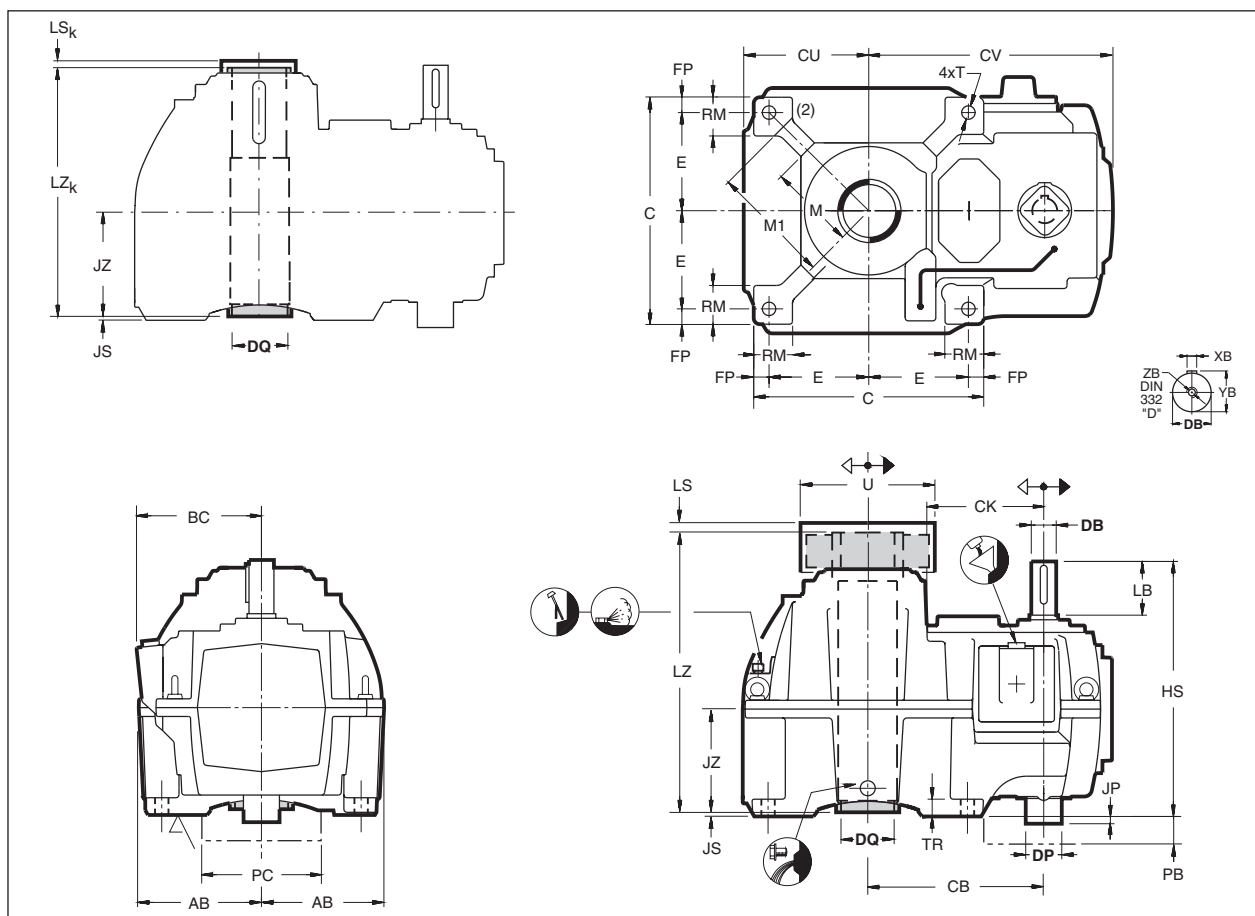
Dimensions définitives sur demande.

Der Benutzer ist verantwortlich für die Beistellung der **Schutzhauben** und das fachgemäße Aufstellen der gesamten Ausrüstung.

Verbindl. Abmessungen auf Wunsch.

De gebruiker is verantwoordelijk voor het voorzien van de **beschermkappen** en het vakkundig installeren van de volledige uitrusting.

Bindende afmetingen op verzoek.



UDD

UDK



Shaft arrangements
(front view)

Dispositions des arbres
(vue en élévation)

Wellenanordnungen
(Vorderansicht)

Asschikkingen
(vooraanzicht)

(1) Space for pump removal
(2) Minimum mounting pad surface, see page C44

(1) Espace de dégagement de la pompe
(2) Surface de fixation minimale aux pattes de fixation, voir page C44

(1) Freier Raum für Demontage der Pumpe
(2) Mindestbefestigungsoberfläche an den Befestigungsfüßen, siehe Seite C44

(1) Vrije ruimte voor demontage pomp
(2) Minimum bevestigingsoppervlak aan de bevestigingsvoeten, zie blz. C44

Type	AB	BC	C	CB	CK	CU	CV	E	FP	HS	JS	JZ	M	M ₁ (2)	RM	T	TR	kg	Litres Liter
QVPC2	255	280	470	345	233	260	487	200	35	520	6	209	165	225	95	28	38	360	31
QVPD2	285	290	530	397	265	290	553	225	40	605	8	237	195	260	95	35	40	520	37
QVPE2	320	335	600	459	305	326	637	260	40	665	15	265	225	310	105	35	45	790	58
QVPF2	365	372	690	525	345	370	720	295	50	735	22	298	265	340	135	42	52	1110	85

Type	Shafts Keys - Arbres Clavettes - Wellen Paßfeder - Assen Spieën						DIN 6885-T1 "FormA"					Pump - Pompe - Pumpe - Pomp			
	Hollow - Creux - Hohl - Hol						DB	LB	XB	YB	ZB	DP (1)	JP	PB (1)	PC (1)
	DQ	LS	LS _k	LZ	LZ _k	U max									
QVPC2	115	30	40	577	493	250	48k6	110	14	51,5	M16	110	29	75	110
QVPD2	130	30	40	650	554	310	58m6	140	16	62	M20	110	19	65	110
QVPE2	150	30	40	738	620	340	65m6	140	18	69	M20	145	-1	50	145
QVPF2	170	30	40	821	683	390	75m6	140	20	79,5	M20	145	6	60	145

Motor-reducer	Moto-réducteur	Getriebe mit Flanschmotor	Motorreduktiekast	Q
Vertical L.S.S.	Arbre P.V. vertical	Langsamdr. Welle: vert.	Langz. dr. as: vertic.	V
Parallel shafts	Arbres parallèles	Stirräder	Evenwijdige assen	P
Size	Taille	Baugröße	Grootte	C ▶ F
Two stages	Deux étages	Zweistufig	Tweetraps	2
For mixer drives	Pour mélangeurs	Für Mischerantriebe	Voor mengeraandrijvingen	

mm

The user is responsible for the provision of **safety guards** and correct installation of all equipment.

Certified dimensions upon request.

Les dispositifs de protection doivent être prévus par l'utilisateur. Celui-ci est responsable de l'installation correcte de l'ensemble.

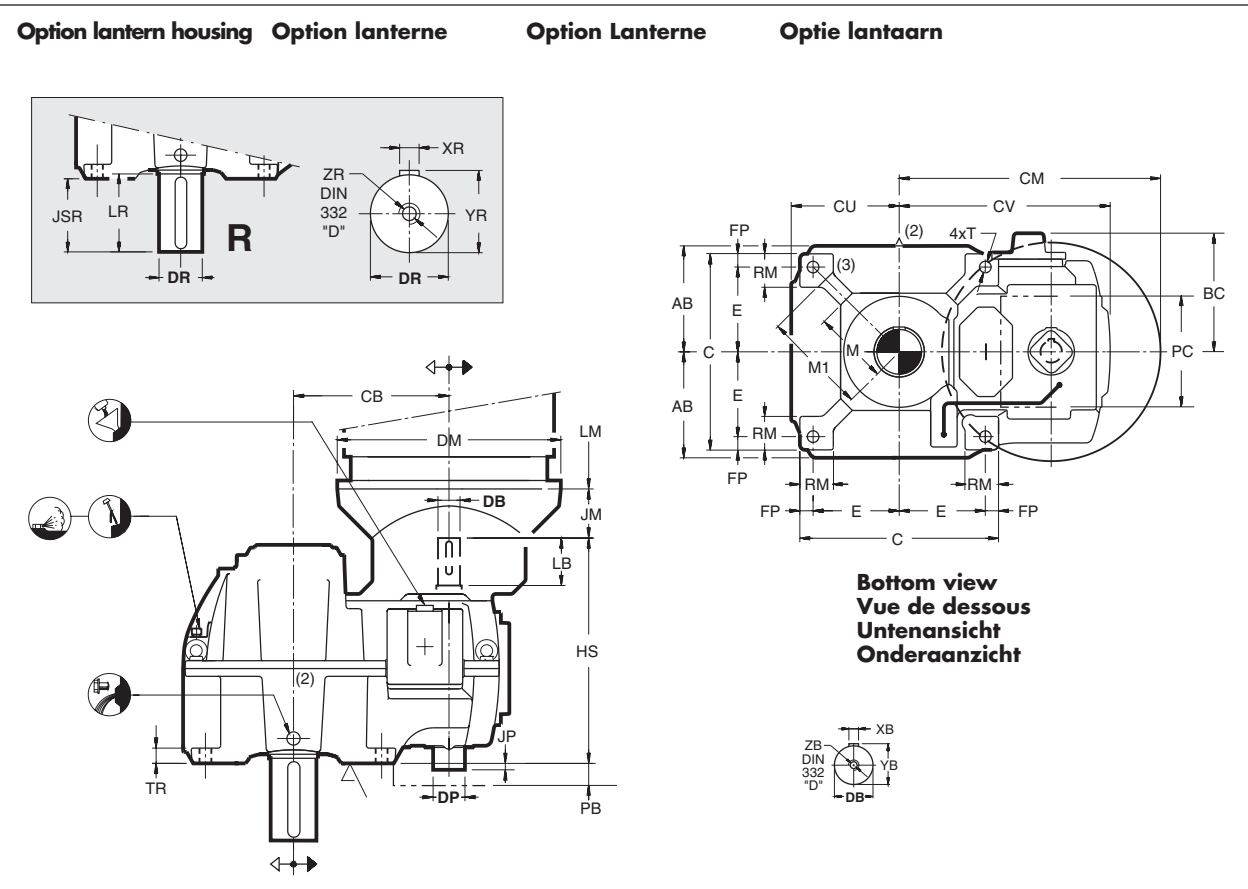
Dimensions définitives sur demande.

Der Benutzer ist verantwortlich für die Beistellung der **Schutzhauben** und das fachgemäße Aufstellen der gesamten Ausrüstung.

Verbindl. Abmessungen auf Wunsch.

De gebruiker is verantwoordelijk voor het voorzien van de **beschermkappen** en het vakkundig installeren van de volledige uitrusting.

Bindende afmetingen op verzoek.



(1) Space for pump removal
(2) Grease lubrication point
(3) Minimum mounting pad surface, see page C44

(1) Espace de dégagement de la pompe
(2) Point de graissage
(3) Surface de fixation minimale aux pattes de fixation, voir page C44

(1) Freier Raum für Demontage der Pumpe
(2) Fettsmierstelle
(3) Mindestbefestigungsfläche an den Befestigungsfüßen, siehe Seite C44

(1) Vrije ruimte voor demontage pomp
(2) Vetsmierpunt
(3) Minimum bevestigingsoppervlak aan de bevestigingsvoeten, zie blz. C44

Type	AB	BC	C	CB	CU	CV	E	FP	HS	JSR	M	M1 (3)	RM	T	TR	kg	Litres Liter
QVPC2	255	280	470	345	260	487	200	35	520	204	165	225	95	28	38	410	31
QVPD2	285	290	530	397	290	553	225	40	605	207	195	260	95	35	40	590	37
QVPE2	320	335	600	459	326	637	260	40	665	245	225	310	105	35	45	880	58
QVPF2	365	372	690	525	370	720	295	50	735	293	265	340	135	42	52	1200	85

Type	Shafts - Arbres - Wellen - Assen Keys - Clavettes - Paßfeder - Spieën DIN 6885-T1 "FormA"										Pump - Pompe - Pumpe - Pomp			
	Solid - Plein - Voll - Vol R										DP (1)	JP	PB (1)	PC (1)
	DR-m6	LR	XR	YR	ZR	DB	LB	XB	YB	ZB				
QVPC2	110	210	28	116	M24	48k6	110	14	51,5	M16	110	29	75	110
QVPD2	120	210	32	127	M24	58m6	140	16	62	M20	110	19	65	110
QVPE2	140	250	36	148	M30	65m6	140	18	69	M20	145	-1	50	145
QVPF2	160	300	40	169	M30	75m6	140	20	79,5	M20	145	6	60	145

MOTOR - MOTEUR		Hansen P4								Coupling Accouplement Kupplung Koppeling
IEC CEI V1	DM	QVPC2		QVPD2		QVPE2		QVPF2		
		CM	JM	CM	JM	CM	JM	CM	JM	
225	450	570	145							Refer to us Nous consulter Rückfrage zweckmäßig Gelieve ons te raadplegen
250	550	620	145	672	145	734	145			
280	550	620	145	672	145	734	145			
315	660	675	175	727	175	789	175	855	175	
355	800					859	215	925	215	

Motor-reducer	Moto-réducteur	Getriebe mit Flanschmotor	Motorreduktiekast	Q
Vertical L.S.S.	Arbre P.V. vertical	Langsamdr. Welle: vert.	Langz. dr. as: vertic.	V
Parallel shafts	Arbres parallèles	Stirnräder	Evenwijdige assen	P
Size	Taille	Baugröße	Grootte	C ▶ F
Two stages	Deux étages	Zweistufig	Tweetraps	2
For mixer drives	Pour mélangeurs	Für Mischerantriebe	Voor mengeraandrijvingen	

mm

The user is responsible for the provision of **safety guards** and correct installation of all equipment.

Certified dimensions upon request.

Les dispositifs de protection doivent être prévus par l'utilisateur. Celui-ci est responsable de l'installation correcte de l'ensemble.

Dimensions définitives sur demande.

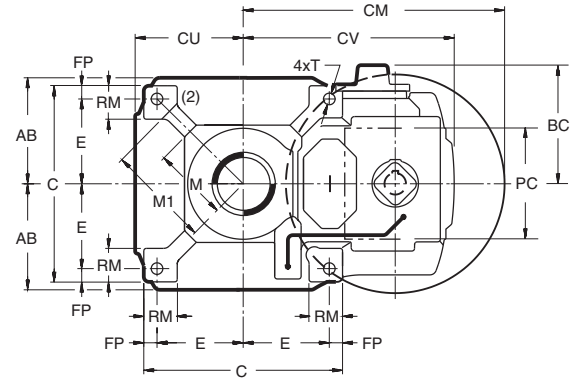
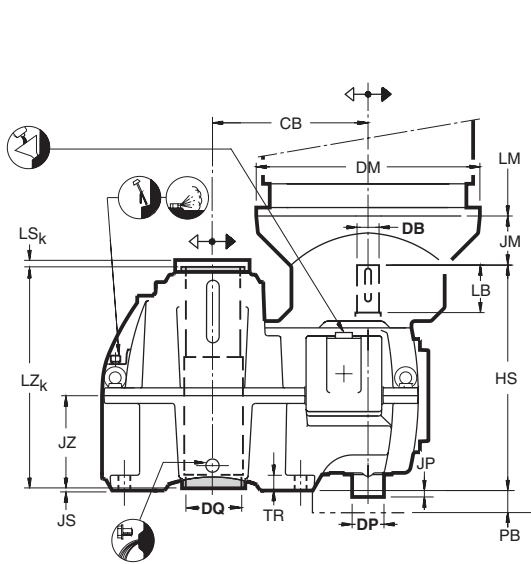
Der Benutzer ist verantwortlich für die Beistellung der **Schutzhauben** und das fachgemäße Aufstellen der gesamten Ausrüstung.

Verbindl. Abmessungen auf Wunsch.

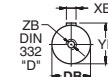
De gebruiker is verantwoordelijk voor het voorzien van de **beschermkappen** en het vakkundig installeren van de volledige uitrusting.

Bindende afmetingen op verzoek.

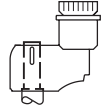
Option lantern housing Option lanterne Option Lanterne Optie lantaarn



**Bottom view
Vue de dessous
Untenansicht
Onderaanzicht**



UDK



Shaft arrangements
(front view)

Dispositions des arbres
(vue en élévation)

Wellenanordnungen
(Vorderansicht)

Asschikkingen
(vooraanzicht)

(1) Space for pump removal
(2) Minimum mounting pad surface, see page C44

(1) Espace de dégagement de la pompe
(2) Surface de fixation minimale aux pattes de fixation, voir page C44

(1) Freier Raum für Demontage der Pumpe
(2) Mindestbefestigungsfläche an den Befestigungsfüßen, siehe Seite C44

(1) Vrije ruimte voor demontage pomp
(2) Minimum bevestigingsoppervlak aan de bevestigingsvoeten, zie blz. C44

Type	AB	BC	C	CB	CU	CV	E	FP	HS	JS	JZ	M	M ₁ (2)	RM	T	TR	kg	Litres
QVPC2	255	280	470	345	260	487	200	35	520	6	209	165	225	95	28	38	410	31
QVPD2	285	290	530	397	290	553	225	40	605	8	237	195	260	95	35	40	590	37
QVPE2	320	335	600	459	326	637	260	40	665	15	265	225	310	105	35	45	880	58
QVPF2	365	372	690	525	370	720	295	50	735	22	298	265	340	135	42	52	1200	85

Type	Shafts - Arbres - Wellen - Assen		Keys - Clavettes - Paßfeder - Spieën				DIN 6885-T1 "FormA"				Pump - Pompe - Pumpe - Pomp			
	Hollow - Creux - Hohl - Hol		DB	LB	XB	YB	ZB	DP (1)	JP	PB (1)	PC (1)			
	DQ	LS _k										LZ _k		
QVPC2	115	40	493	48k6	110	14	51,5	M16	110	29	75	110		
QVPD2	130	40	554	58m6	140	16	62	M20	110	19	65	110		
QVPE2	150	40	620	65m6	140	18	69	M20	145	-1	50	145		
QVPF2	170	40	683	75m6	140	20	79,5	M20	145	6	60	145		

MOTOR - MOTEUR		Hansen P4								Coupling Accouplement Kupplung Koppeling
IEC CEI V1	DM	QVPC2		QVPD2		QVPE2		QVPF2		
		CM	JM	CM	JM	CM	JM	CM	JM	
225	450	570	145							
250	550	620	145	672	145	734	145			
280	550	620	145	672	145	734	145			
315	660	675	175	727	175	789	175	855	175	
355	800					859	215	925	215	

Refer to us
Nous consulter
Rückfrage zweckmäßig
Gelieve ons te raadplegen

mm

Gear unit	Réducteur à engrenages	Zahnradgetriebe	Tandwielkast	Q
Vertical L.S.S.	Arbre P.V. vertical	Langsamdr. Welle: vert.	Langz. dr. as: vertic.	V
Parallel shafts	Arbres parallèles	Stirnräder	Evenwijdige assen	P
Size	Taille	Baugröße	Grootte	C ▶ H
Three stages	Trois étages	Dreistufig	Drietrap	3
For mixer drives	Pour mélangeurs	Für Mischerantriebe	Voor mengeraandrijvingen	

The user is responsible for the provision of **safety guards** and correct installation of all equipment.

Certified dimensions upon request.

Les dispositifs de protection doivent être prévus par l'utilisateur. Celui-ci est responsable de l'installation correcte de l'ensemble.

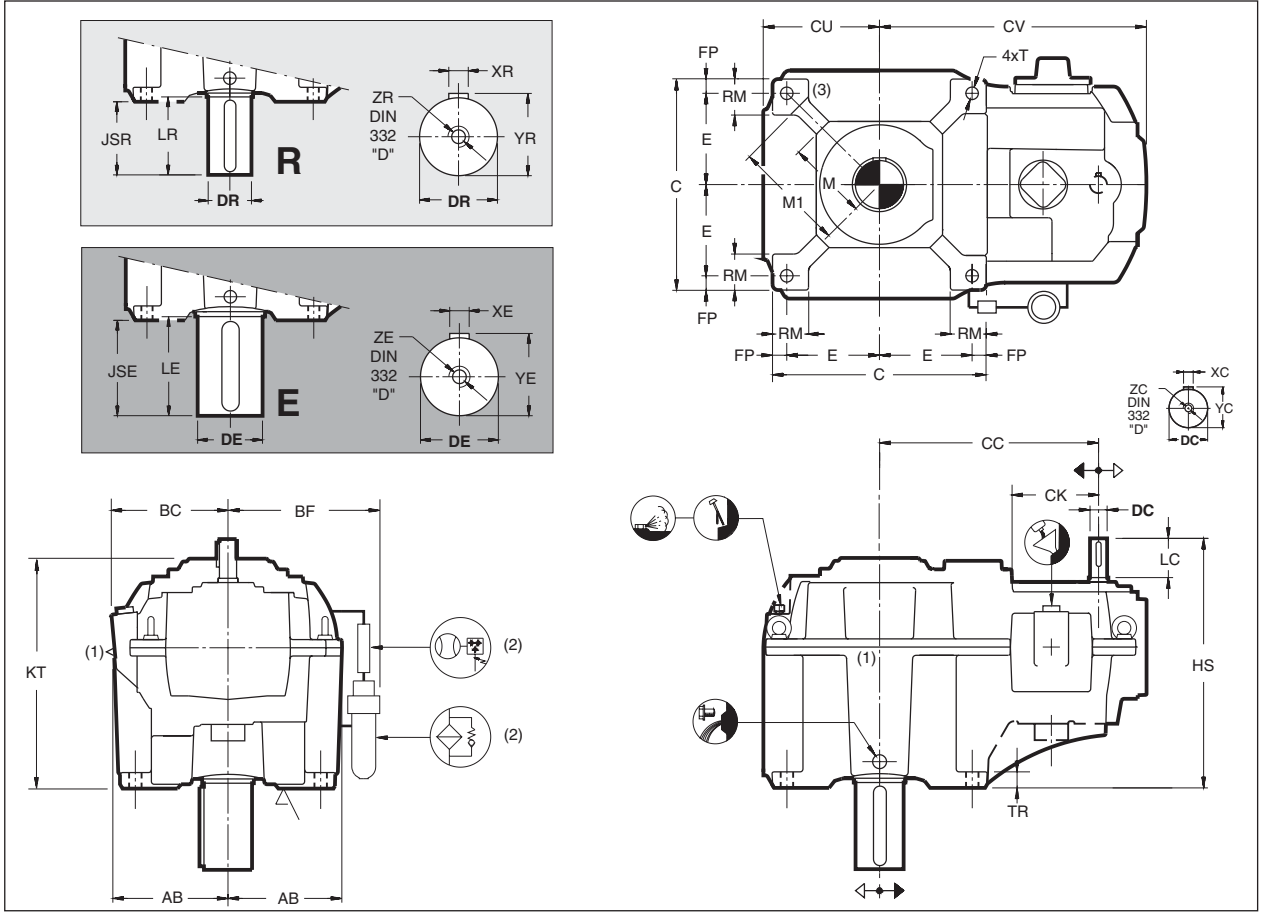
Dimensions définitives sur demande.

Der Benutzer ist verantwortlich für die Beistellung der **Schutzhauben** und das fachgemäße Aufstellen der gesamten Ausrüstung.

Verbindl. Abmessungen auf Wunsch.

De gebruiker is verantwoordelijk voor het voorzien van de **beschermkappen** en het vakkundig installeren van de volledige uitrusting.

Bindende afmetingen op verzoek.



(1) Grease lubrication point
(2) Standard for gear units sizes G and H
(3) Minimum mounting pad surface, see page C44

(1) Point de graissage
(2) Standard pour réducteurs tailles G et H
(3) Surface de fixation minimale aux pattes de fixation, voir page C44

(1) Fettschmierstelle nur für Wellenanordnung UD
(2) Standardmäßig für Getriebegrößen G und H
(3) Mindestbefestigungsfläche an den Befestigungsfüßen, siehe Seite C44

(1) Vetsmeerpunt
(2) Standaard voor tandwielkasten grootte G en H
(3) Minimum bevestigingsoppervlak aan de bevestigingsvoeten, zie blz. C44

Type	AB	BC	BF	C	CC	CK	CU	CV	E	FP	HS	JSR	JSE	KT	M	M1 (3)	RM	T	TR	kg	Litres Liter
QVPC3	255	280	-	470	454	173	260	565	200	35	562	204	-	477	165	225	95	28	38	390	22
QVPD3	285	290	-	530	523	200	290	660	225	40	618	207	247	540	195	260	95	35	40	560	33
QVPE3	320	332	-	600	607	234	326	749	260	40	680	245	245	612	225	310	105	35	45	860	45
QVPF3	365	372	-	690	696	265	370	852	295	50	790	293	293	703	265	340	135	42	52	1230	70
QVPG3	450	455	490	860	800	304	455	983	375	55	815	345	345	767	330	425	150	48	65	1800	98
QVPH3	450	455	490	860	872	304	455	1055	375	55	815	345	345	767	330	425	150	48	65	1900	106

Type	Shafts Keys		Arbres Clavettes		Wellen Paßfeder		Assen Spieën		ISO/R773-1969		
	DC	LC	LC	LC	XC	YC	ZC				
QVPC3	38k6	110	110	110	10	41	M12				
QVPD3	42k6	110	110	110	12	45	M16				
QVPE3	48k6	110	110	110	14	51,5	M16				
QVPF3	58m6	140	140	140	16	62	M20				
QVPG3	65m6	140	140	140	18	69	M20				
QVPH3	65m6	140	140	140	18	69	M20				

Type	Shafts Keys		Arbres Clavettes		Wellen Paßfeder		Assen Spieën		DIN 6885-T1 "FormA"		
	Solid - Plein - Voll - Vol R						Solid - Plein - Voll - Vol E				
	DR-m6	LR	XR	YR	ZR	DE-m6	LE	XE	YE	ZE	
QVPC3	110	210	28	116	M24	-	-	-	-	-	
QVPD3	120	210	32	127	M24	140	250	36	148	M30	
QVPE3	140	250	36	148	M30	150	250	36	158	M30	
QVPF3	160	300	40	169	M30	180	300	45	190	M30	
QVPG3	190	350	45	200	M30	220	350	50	231	M30	
QVPH3	200	350	45	210	M30	220	350	50	231	M30	

Gear unit	Réducteur à engrenages	Zahnradgetriebe	Tandwielkast	Q
Vertical L.S.S.	Arbre P.V. vertical	Langsamdr. Welle: vert.	Langz. dr. as: vertic.	V
Parallel shafts	Arbres parallèles	Stirnräder	Evenwijdige assen	P
Size	Taille	Baugröße	Grootte	C ▶ H
Three stages	Trois étages	Dreistufig	Drietrap	3
For mixer drives	Pour mélangeurs	Für Mischerantriebe	Voor mengeraandrijvingen	

mm

The user is responsible for the provision of **safety guards** and correct installation of all equipment.

Certified dimensions upon request.

Les dispositifs de protection doivent être prévus par l'utilisateur. Celui-ci est responsable de l'installation correcte de l'ensemble.

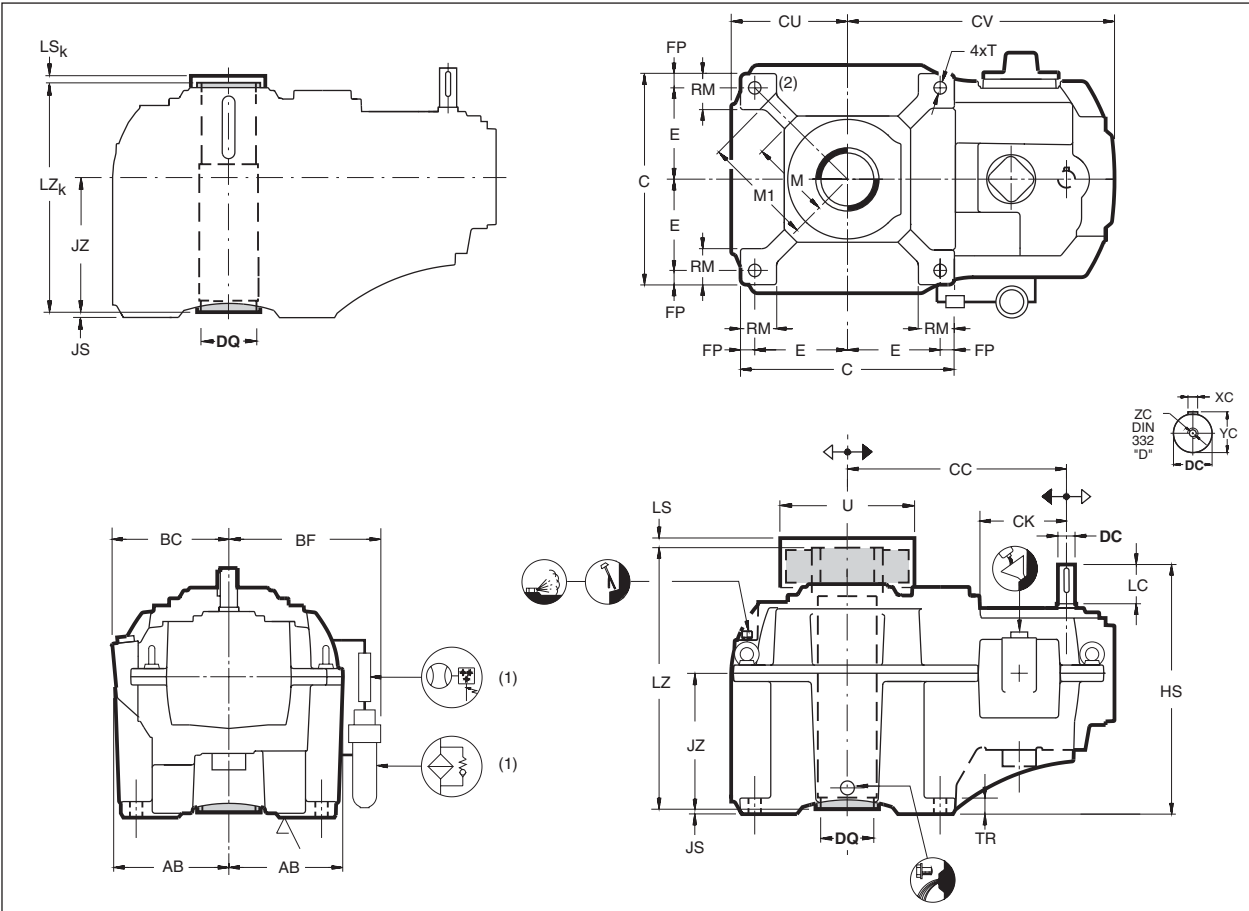
Dimensions définitives sur demande.

Der Benutzer ist verantwortlich für die Beistellung der **Schutzhauben** und das fachgemäße Aufstellen der gesamten Ausrüstung.

Verbindl. Abmessungen auf Wunsch.

De gebruiker is verantwoordelijk voor het voorzien van de **beschermkappen** en het vakkundig installeren van de volledige uitrusting.

Bindende afmetingen op verzoek.



UDD



Shaft arrangements
(front view)

UDK



Dispositions des arbres
(vue en élévation)

Wellenanordnungen
(Vorderansicht)

Asschikkingen
(vooraanzicht)

(1) Standard for gear units sizes G and H
(2) Minimum mounting pad surface, see page C44

(1) Standard pour réducteurs tailles G et H
(2) Surface de fixation minimale aux pattes de fixation, voir page C44

(1) Standardmäßig für Getriebegrößen G und H
(2) Mindestbefestigungsoberfläche an den Befestigungsfüßen, siehe Seite C44

(1) Standaard voor tandwielkasten grootte G en H
(2) Minimum bevestigingsoppervlak aan de bevestigingsvoeten, zie blz. C44

Type	AB	BC	BF	C	CC	CK	CU	CV	E	FP	HS	JS	JZ	M	M ₁ (2)	RM	T	TR	kg	Litres Liter
QVPC3	255	280	-	470	454	173	260	565	200	35	562	6	284	165	225	95	28	38	390	22
QVPD3	285	290	-	530	523	200	290	660	225	40	618	8	322	195	260	95	35	40	560	33
QVPE3	320	332	-	600	607	234	326	749	260	40	680	15	360	225	310	105	35	45	860	45
QVPF3	365	372	-	690	696	265	370	852	295	50	790	22	408	265	340	135	42	52	1230	70
QVPG3	450	455	490	860	800	304	455	983	375	55	815	25	405	330	425	150	48	65	1800	98
QVPH3	450	455	490	860	872	304	455	1055	375	55	815	20	410	330	425	150	48	65	1900	106

Type	Shafts Keys		Arbres Clavettes		Wellen Paßfeder		Assen Spieën		DIN 6885-T1 "FormA"				
	DQ	LS	LS _k	LZ	LZ _k	U max	DC	LC	XC	YC	ZC		
QVPC3	115	30	40	577	493	250	38k6	110	10	41	M12		
QVPD3	130	30	40	650	554	310	42k6	110	12	45	M16		
QVPE3	150	30	40	738	620	340	48k6	110	14	51,5	M16		
QVPF3	170	30	40	821	683	390	58m6	140	16	62	M20		
QVPG3	190	30	50	886	744	425	65m6	140	18	69	M20		
QVPH3	210	40	55	908	754	450	65m6	140	18	69	M20		

mm

Gear unit	Réducteur à engrenages	Zahnradgetriebe	Tandwielkast	Q
Vertical L.S.S.	Arbre P.V. vertical	Langsamdr. Welle: vert.	Langz. dr. as: vertic.	V
Parallel shafts	Arbres parallèles	Stirnräder	Evenwijdige assen	P
Size	Taille	Baugröße	Grootte	J ▶ M
Three stages	Trois étages	Dreistufig	Drietrap	3
For mixer drives	Pour mélangeurs	Für Mischerantriebe	Voor mengeraandrijvingen	

The user is responsible for the provision of **safety guards** and correct installation of all equipment.

Certified dimensions upon request.

Les dispositifs de protection doivent être prévus par l'utilisateur. Celui-ci est responsable de l'installation correcte de l'ensemble.

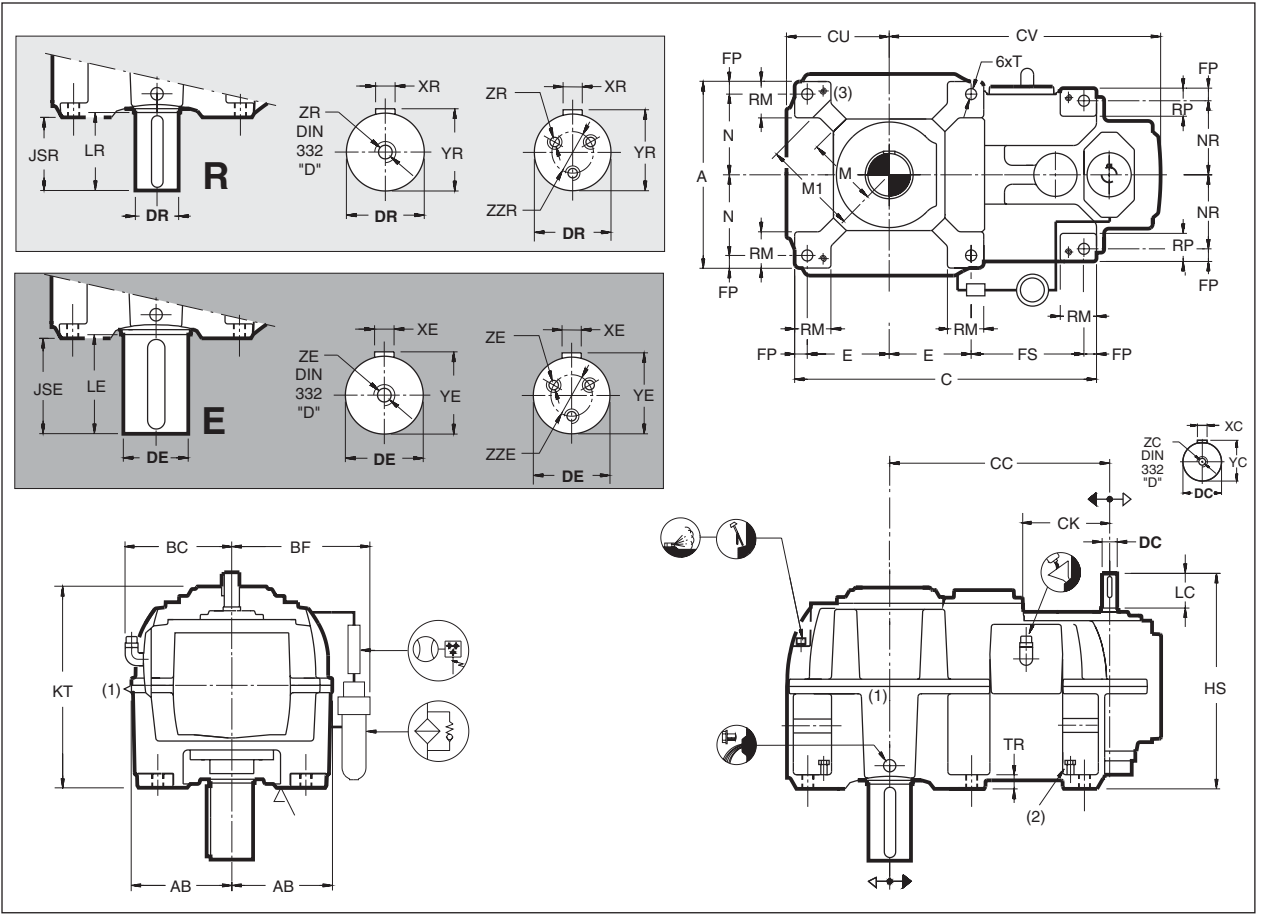
Dimensions définitives sur demande.

Der Benutzer ist verantwortlich für die Beistellung der **Schutzhauben** und das fachgemäße Aufstellen der gesamten Ausrüstung.

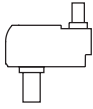
Verbindl. Abmessungen auf Wunsch.

De gebruiker is verantwoordelijk voor het voorzien van de **beschermkappen** en het vakkundig installeren van de volledige uitrusting.

Bindende afmetingen op verzoek.

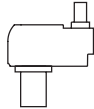


UDR



Shaft arrangements
(front view)

UDE



Dispositions des arbres
(vue en élévation)

Wellenanordnungen
(Vorderansicht)

Asschikkingen
(vooraanzicht)

- (1) Grease lubrication point
- (2) 4x jacking screw
- (3) Minimum mounting pad surface, see page C44

- (1) Point de graissage
- (2) 4x vis de réglage
- (3) Surface de fixation minimale aux pattes de fixation, voir page C44

- (1) Fettschmierstelle
- (2) 4x Einstellschraube
- (3) Mindestbefestigungsoberfläche an den Befestigungsfüßen, siehe Seite C44

- (1) Vetsmeerpunt
- (2) 4x regelschroef
- (3) Minimum bevestigingsoppervlak aan de bevestigingsvoeten, zie blz. C44

Type	A	AB	BC	BF	C	CC	CK	CU	CV	E	FP	FS	HS	JSR	JSE	KT	M	M1 (3)	N	NR	RM	RP	T	TR	kg	Litres Liter
QVPJ3	1010	525	555	635	1380	942	351	540	1137	410	55	450	865	342	402	864	390	500	450	385	160	140	48	70	2900	295
QVPK3	1010	525	555	635	1380	1020	351	540	1223	410	55	450	865	402	402	864	390	500	450	385	160	140	48	70	3300	315
QVPL3	1240	640	665	750	1650	1110	399	655	1340	510	60	510	1010	400	460	1024	410	600	560	490	175	155	56	80	5100	500
QVPM3	1240	640	665	750	1650	1208	399	655	1438	510	60	510	1010	460	460	1024	410	600	560	490	175	155	56	80	5600	520

Type	Shafts Keys	Arbres Clavettes	Wellen Paßfeder	Assen Spieën	ISO/R773-1969				
	DC-m6	LC	XC	YC	ZC				
QVPJ3	75	140	20	79,5	M20				
QVPK3	75	140	20	79,5	M20				
QVPL3	85	170	22	90	M20				
QVPM3	85	170	22	90	M20				

Type	Shafts Keys	Arbres Clavettes	Wellen Paßfeder	Assen Spieën	DIN 6885-T1 "FormA"							
	Solid - Plein - Voll - Vol R				Solid - Plein - Voll - Vol E							
	DR-m6	LR	XR	YR	ZR	ZZR	DE-m6	LE	XE	YE	ZE	ZZE
QVPJ3	220	350	50	231	M30	-	240	410	56	252	M30	-
QVPK3	240	410	56	252	M30	-	260	410	56	272	3 x M24	140
QVPL3	260	410	56	272	3 x M24	140	280	470	63	292	3 x M24	140
QVPM3	280	470	63	292	3 x M24	140	300	470	70	314	3 x M24	140

Gear unit	Réducteur à engrenages	Zahnradgetriebe	Tandwielkast	Q
Vertical L.S.S.	Arbre P.V. vertical	Langsamdr. Welle: vert.	Langz. dr. as: vertic.	V
Parallel shafts	Arbres parallèles	Stirnräder	Evenwijdige assen	P
Size	Taille	Baugröße	Grootte	J ▶ M
Three stages	Trois étages	Dreistufig	Drietrap	3
For mixer drives	Pour mélangeurs	Für Mischerantriebe	Voor mengeraandrijvingen	

mm

The user is responsible for the provision of **safety guards** and correct installation of all equipment.

Certified dimensions upon request.

Les dispositifs de protection doivent être prévus par l'utilisateur. Celui-ci est responsable de l'installation correcte de l'ensemble.

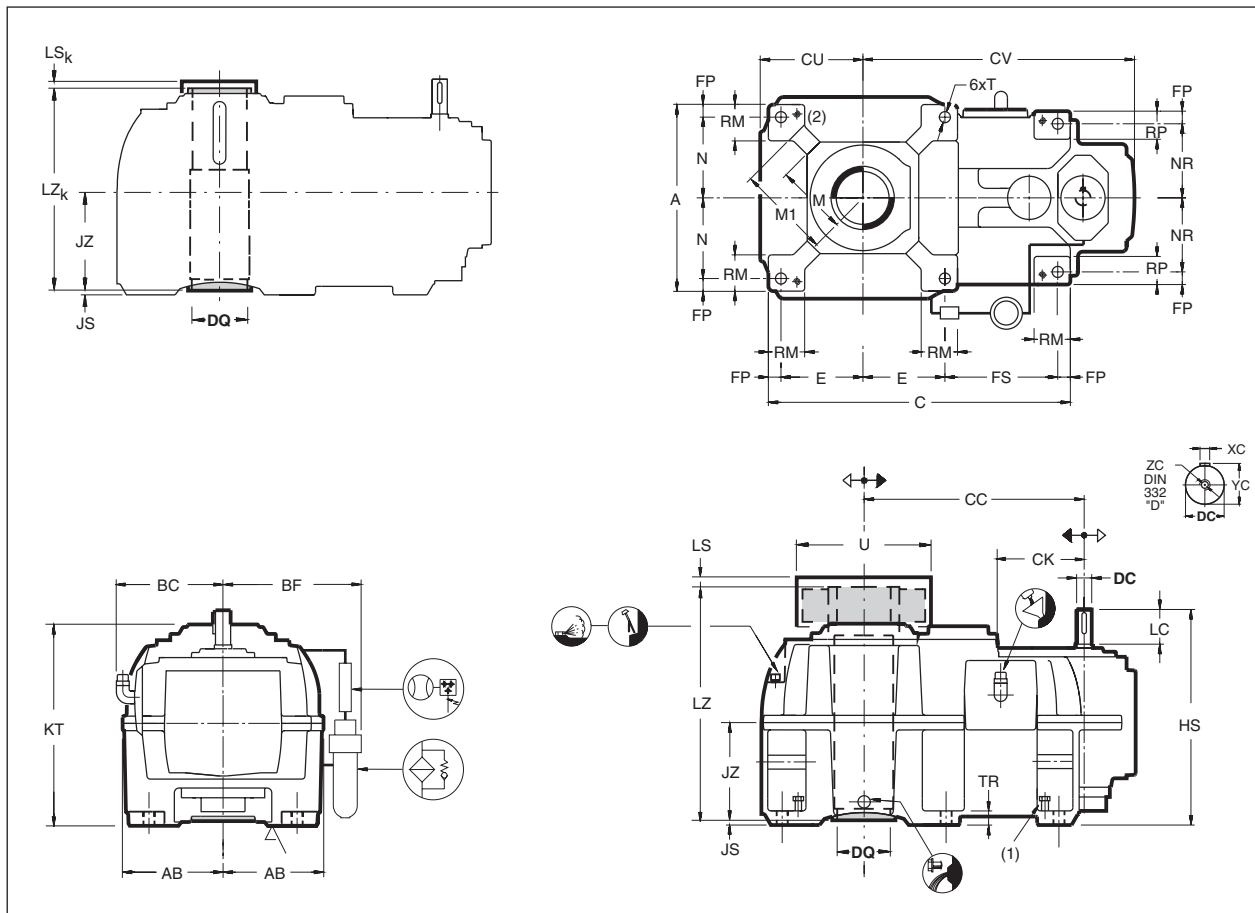
Dimensions définitives sur demande.

Der Benutzer ist verantwortlich für die Beistellung der **Schutzhauben** und das fachgemäße Aufstellen der gesamten Ausrüstung.

Verbindl. Abmessungen auf Wunsch.

De gebruiker is verantwoordelijk voor het voorzien van de **beschermkappen** en het vakkundig installeren van de volledige uitrusting.

Bindende afmetingen op verzoek.



UDD

UDK



Shaft arrangements
(front view)

Dispositions des arbres
(vue en élévation)

Wellenarrangungen
(Vorderansicht)

Asschikkingen
(vooraanzicht)

(1) 4x jacking screw
(2) Minimum mounting pad surface, see page C44

(1) 4x vis de réglage
(2) Surface de fixation minimale aux pattes de fixation, voir page C44

(1) 4x Einstellschraube
(2) Mindestbefestigungsoberfläche an den Befestigungsfüßen, siehe Seite C44

(1) 4x regelschroef
(2) Minimum bevestigingsoppervlak aan de bevestigingsvoeten, zie blz. C44

Type	A	AB	BC	BF	C	CC	CK	CU	CV	E	FP	FS	HS	JS	JZ	KT	M	M ₁ (2)	N	NR	RM	RP	T	TR	kg	Litres Liter
QVPJ3	1010	525	555	635	1380	942	351	540	1137	410	55	450	865	23	427	864	390	500	450	385	160	140	48	70	2900	295
QVPK3	1010	525	555	635	1380	1020	351	540	1223	410	55	450	865	23	427	864	390	500	450	385	160	140	48	70	3300	315
QVPL3	1240	640	665	750	1650	1110	399	655	1340	510	60	510	1010	20	505	1024	410	600	560	490	175	155	56	80	5100	500
QVPM3	1240	640	665	750	1650	1208	399	655	1438	510	60	510	1010	20	505	1024	410	600	560	490	175	155	56	80	5600	520

Type	Shafts - Arbres - Wellen - Assen Keys - Clavettes - Paßfeder - Spieën DIN 6885-T1 "FormA"											
	Hollow - Creux - Hohl - Hol											
	DQ	LS	LS _k	LZ	LZ _k	U max	DC-m6	LC	XC	YC	ZC	
QVPJ3	230	40	55	1014	847	480	75	140	20	79,5	M20	
QVPK3	260	40	55	1024	847	540	75	140	20	79,5	M20	
QVPL3	280	40	65	1181	989	595	85	170	22	90	M20	
QVPM3	300	40	65	1188	989	615	85	170	22	90	M20	

Motor-reducer	Moto-reducteur	Getriebe mit Flanschmotor	Motorreduktiekast	Q
Vertical L.S.S.	Arbre P.V. vertical	Langsamdr. Welle: vert.	Langz. dr. as: vertic.	V
Parallel shafts	Arbres parallèles	Stirnräder	Evenwijdige assen	P
Size	Taille	Baugröße	Grootte	C ▶ H
Three stages	Trois étages	Dreistufig	Drietrap	3
For mixer drives	Pour mélangeurs	Für Mischerantriebe	Voor mengeraandrijvingen	

mm

The user is responsible for the provision of **safety guards** and correct installation of all equipment.

Certified dimensions upon request.

Les dispositifs de protection doivent être prévus par l'utilisateur. Celui-ci est responsable de l'installation correcte de l'ensemble.

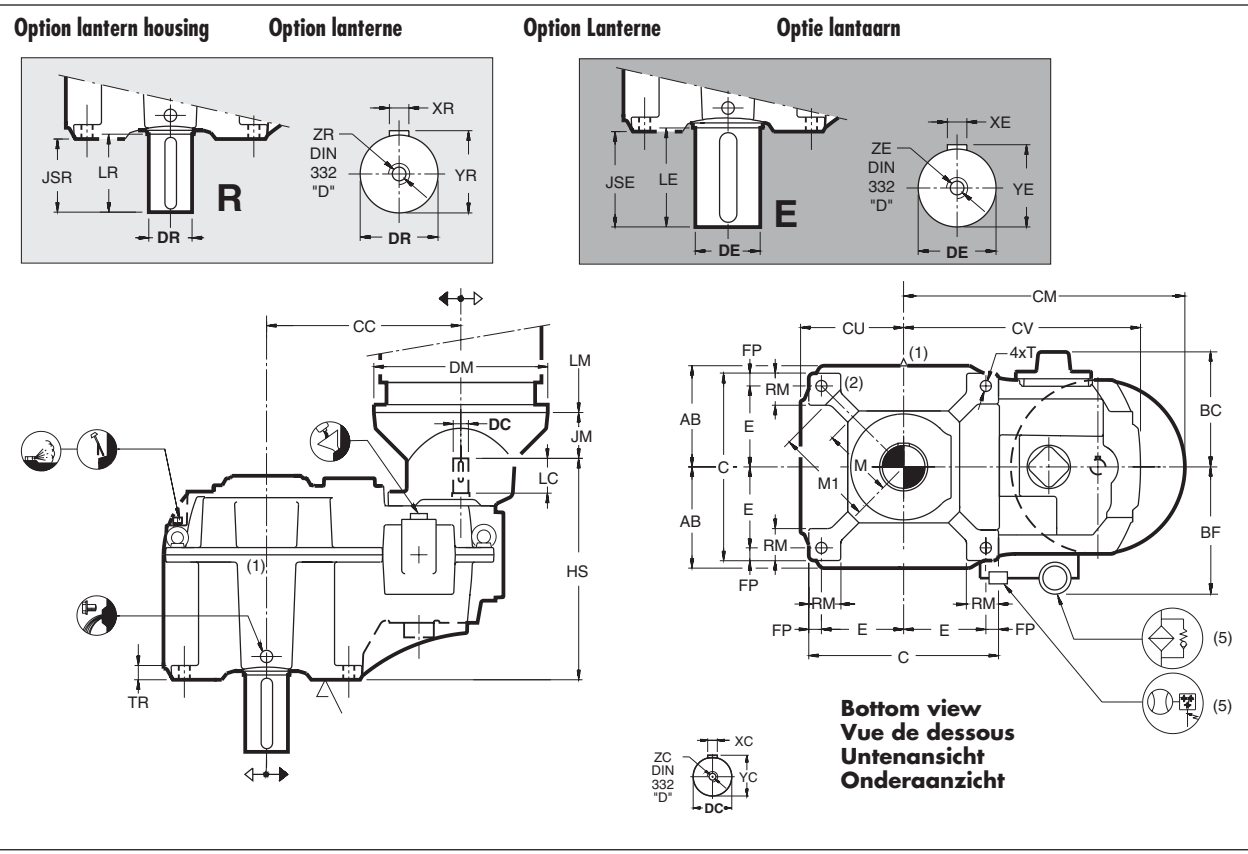
Dimensions définitives sur demande.

Der Benutzer ist verantwortlich für die Beistellung der **Schutzhauben** und das fachgemäße Aufstellen der gesamten Ausrüstung.

Verbindl. Abmessungen auf Wunsch.

De gebruiker is verantwoordelijk voor het voorzien van de **beschermkappen** en het vakkundig installeren van de volledige uitrusting.

Bindende afmetingen op verzoek.



(1) Grease lubrication point
(2) Minimum mounting pad surface, see page C44

(1) Point de graissage
(2) Surface de fixation minimale aux pattes de fixation, voir page C44

(1) Fettschmierstelle
(2) Mindestbefestigungsfläche an den Befestigungsfüßen, siehe Seite C44

(1) Vetsmeerpunt
(2) Minimum bevestigingsoppervlak aan de bevestigingsvoeten, zie blz. C44

Type	AB	BC	BF	C	CC	CU	CV	E	FP	HS	JSR	JSE	M	M ₁ (2)	RM	T	TR	kg	Litres Liter
QVPC3	255	280	-	470	454	260	565	200	35	562	204	-	165	225	95	28	38	425	22
QVPD3	285	290	-	530	523	290	660	225	40	618	207	247	195	260	95	35	40	600	33
QVPE3	320	332	-	600	607	326	749	260	40	680	245	245	225	310	105	35	45	910	45
QVPF3	365	372	-	690	696	370	852	295	50	790	293	293	265	340	135	42	52	1300	70
QVPG3	450	455	490	860	800	455	983	375	55	815	345	345	330	425	150	48	65	1900	98
QVPH3	450	455	490	860	872	455	1055	375	55	815	345	345	330	425	150	48	65	2050	106

Type	Shafts - Arbres - Wellen - Assen Keys - Clavettes - Paßfeder - Spieën DIN 6885-T1 "FormA"														
	Solid - Plein - Voll - Vol R							Solid - Plein - Voll - Vol E							
	DR-m6	LR	XR	YR	ZR	DE-m6	LE	XE	YE	ZE	DC	LC	XC	YC	ZC
QVPC3	110	210	28	116	M24	-	-	-	-	-	38k6	110	10	41	M12
QVPD3	120	210	32	127	M24	140	250	36	148	M30	42k6	110	12	45	M16
QVPE3	140	250	36	148	M30	150	250	36	158	M30	48k6	110	14	51,5	M16
QVPF3	160	300	40	169	M30	180	300	45	190	M30	58m6	140	16	62	M20
QVPG3	190	350	45	200	M30	220	350	50	231	M30	65m6	140	18	69	M20
QVPH3	200	350	45	210	M30	220	350	50	231	M30	65m6	140	18	69	M20

MOTOR - MOTEUR		Hansen P4												Coupling Accouplement Kupplung Koppeling	
IEC CEI V1	DM	QVPC3		QVPD3		QVPE3		QVPF3		QVPG3		QVPH3		Refer to us Nous consulter Rückfrage zweckmäßig Gelieve ons te raadplegen	
		CM	JM	CM	JM	CM	JM	CM	JM	CM	JM	CM	JM		
160	350	629	115	698	115	782	115								
180	350	629	115	698	115	782	115								
200	400	654	115	723	115	807	115								
225	450	679	145	748	145	832	145	921	145	1025	145	1097	145		
250	550	729	145	798	145	882	145	971	145	1075	145	1147	145		
280	550	729	145	798	145	882	145	971	145	1075	145	1147	145		
315	660					937	175	1026	175	1130	175	1202	175		
355	800									1200	215	1272	215		

Motor-reducer	Moto-reducteur	Getriebe mit Flanschmotor	Motorreduktiekast	Q
Vertical L.S.S.	Arbre P.V. vertical	Langsamdr. Welle: vert.	Langz. dr. as: vertic.	V
Parallel shafts	Arbres parallèles	Stirnräder	Evenwijdige assen	P
Size	Taille	Baugröße	Grootte	C ▶ H
Three stages	Trois étages	Dreistufig	Drietrap	3
For mixer drives	Pour mélangeurs	Für Mischerantriebe	Voor mengeraandrijvingen	

mm

The user is responsible for the provision of **safety guards** and correct installation of all equipment.

Certified dimensions upon request.

Les dispositifs de protection doivent être prévus par l'utilisateur. Celui-ci est responsable de l'installation correcte de l'ensemble.

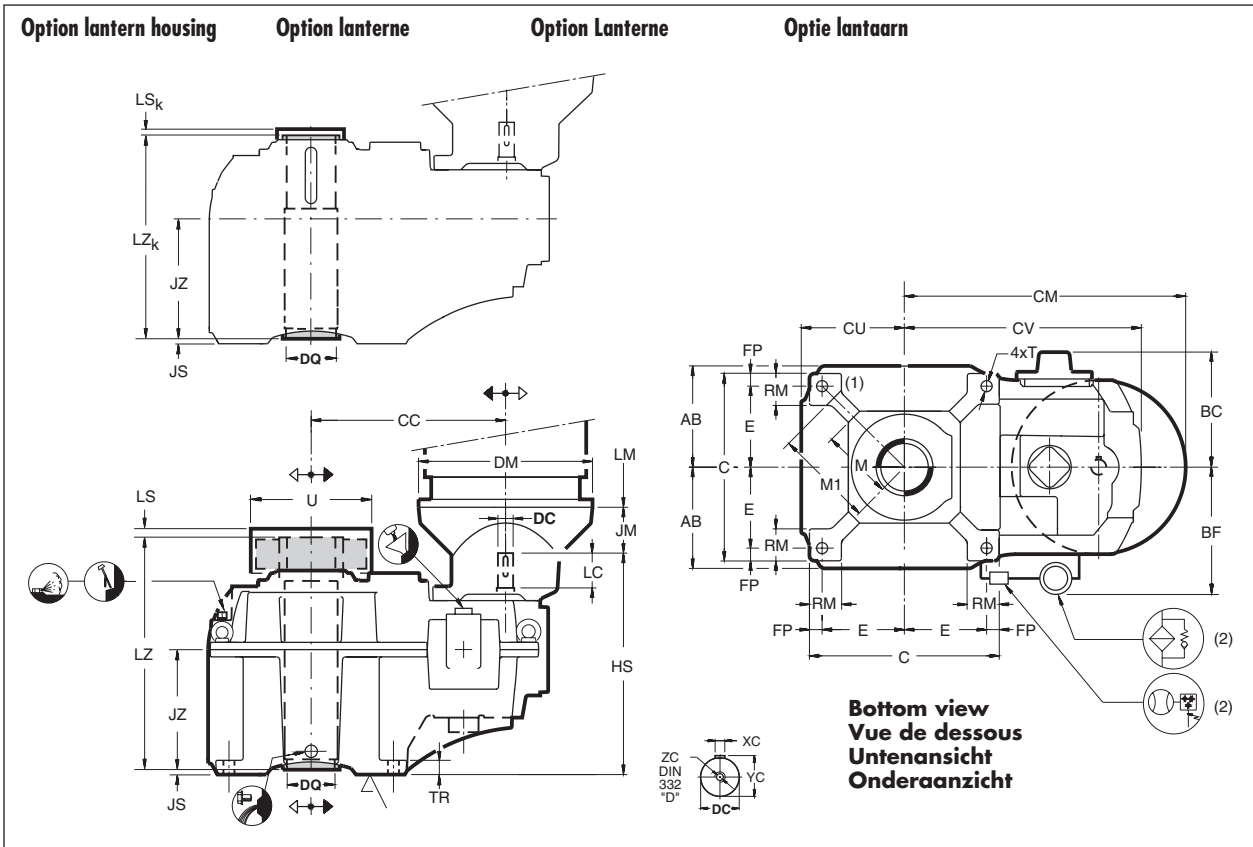
Dimensions définitives sur demande.

Der Benutzer ist verantwortlich für die Beistellung der **Schutzhauben** und das fachgemäße Aufstellen der gesamten Ausrüstung.

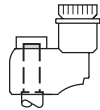
Verbindl. Abmessungen auf Wunsch.

De gebruiker is verantwoordelijk voor het voorzien van de **beschermkappen** en het vakkundig installeren van de volledige uitrusting.

Bindende afmetingen op verzoek.

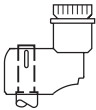


UDD



Shaft arrangements
(front view)

UDK



Dispositions des arbres Wellenanordnungen
(vue en élévation) (Vorderansicht)

Asschikkingen
(vooraanzicht)

(1) Minimum mounting pad surface, see page C44

2) Standard for gear units sizes G and H

(1) Surface de fixation minimale aux pattes de fixation, voir page C44

2) Standard pour réducteurs tailles G et H

(1) Mindestbefestigungsfläche an den Befestigungsfüßen, siehe Seite C44

(2) Standardmäßig für Getriebegrößen G und H

(1) Minimum bevestigingsoppervlak aan de bevestigingsvoeten, zie blz. C44

2) Standaard voor tandwielkasten grootte G en H

Type	AB	BC	BF	C	CC	CU	CV	E	FP	HS	JS	JZ	M	M ₁ (3)	RM	T	TR	kg	Litres
QVPC3	255	280	-	470	454	260	565	200	35	562	6	284	165	225	95	28	38	425	22
QVPD3	285	290	-	530	523	290	660	225	40	618	8	322	195	260	95	35	40	600	33
QVPE3	320	332	-	600	607	326	749	260	40	680	15	360	225	310	105	35	45	910	45
QVPF3	365	372	-	690	696	370	852	295	50	790	22	408	265	340	135	42	52	1300	70
QVPG3	450	455	490	860	800	455	983	375	55	815	25	405	330	425	150	48	65	1900	98
QVPH3	450	455	490	860	872	455	1055	375	55	815	20	410	330	425	150	48	65	2050	106

Type	Shafts - Arbres - Wellen - Assen		Keys - Clavettes - Paßfeder - Spieën		DIN 6885-T1 "FormA"						
	Hollow - Creux - Hohl - Hol					DC	LC	XC	YC	ZC	
	DQ	LS	LS _k	LZ	LZ _k						U max
QVPC3	115	30	40	577	493	250	38k6	110	10	41	M12
QVPD3	130	30	40	650	554	310	42k6	110	12	45	M16
QVPE3	150	30	40	738	620	340	48k6	110	14	51,5	M16
QVPF3	170	30	40	821	683	390	58m6	140	16	62	M20
QVPG3	190	30	50	886	744	425	65m6	140	18	69	M20
QVPH3	210	40	55	908	754	450	65m6	140	18	69	M20

MOTOR - MOTEUR		Hansen P4												Coupling Accouplement Kupplung Koppeling				
IEC CEI V1	DM	QVPC3		QVPD3		QVPE3		QVPF3		QVPG3		QVPH3						
		CM	JM	CM	JM	CM	JM	CM	JM	CM	JM	CM	JM					
160	350	629	115	698	115	782	115											
180	350	629	115	698	115	782	115											
200	400	654	115	723	115	807	115											
225	450	679	145	748	145	832	145	921	145	1025	145	1097	145					
250	550	729	145	798	145	882	145	971	145	1075	145	1147	145					
280	550	729	145	798	145	882	145	971	145	1075	145	1147	145					
315	660					937	175	1026	175	1130	175	1202	175					
355	800									1200	215	1272	215					

Refer to us
Nous consulter
Rückfrage zweckmäßig
Gelieve ons te raadplegen

Gear unit	Réducteur à engrenages	Zahnradgetriebe	Tandwielkast	Q
Vertical L.S.S.	Arbre P.V. vertical	Langsamdr. Welle: vert.	Langz. dr. as: vertic.	V
Parallel shafts	Arbres parallèles	Stirnräder	Evenwijdige assen	P
Size	Taille	Baugröße	Grootte	D ▶ H
Four stages	Quatre étages	Vierstufig	Viertraps	4
For mixer drives	Pour mélangeurs	Für Mischerantriebe	Voor mengeraandrijvingen	

mm

The user is responsible for the provision of **safety guards** and correct installation of all equipment.

Certified dimensions upon request.

Les dispositifs de protection doivent être prévus par l'utilisateur. Celui-ci est responsable de l'installation correcte de l'ensemble.

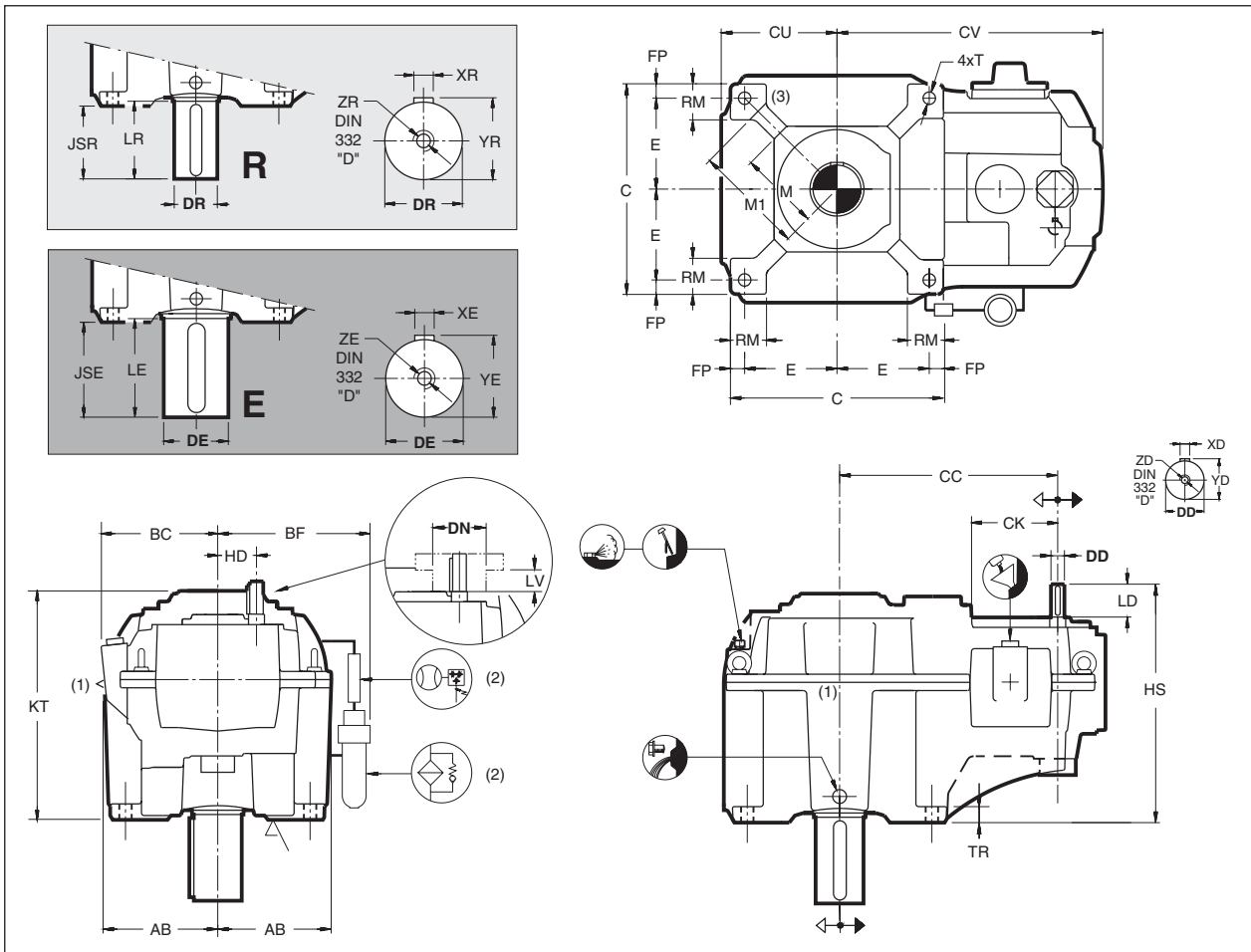
Dimensions définitives sur demande.

Der Benutzer ist verantwortlich für die Beistellung der **Schutzhauben** und das fachgemäße Aufstellen der gesamten Ausrüstung.

Verbindl. Abmessungen auf Wunsch.

De gebruiker is verantwoordelijk voor het voorzien van de **beschermkappen** en het vakkundig installeren van de volledige uitrusting.

Bindende afmetingen op verzoek.



(1) Grease lubrication point
(2) Standard for gear units sizes G and H
(3) Minimum mounting pad surface, see page C44

(1) Point de graissage
(2) Standard pour réducteurs tailles G et H
(3) Surface de fixation minimale aux pattes de fixation, voir page C44

(1) Fettschmierstelle
(2) Standardmäßig für Getriebegrößen G und H
(3) Mindestbefestigungsoberfläche an den Befestigungsfüßen, siehe Seite C44

(1) Vetsmeerpunt
(2) Standaard voor tandwielkasten grootte G en H
(3) Minimum bevestigingsoppervlak aan de bevestigingsvoeten, zie blz. C44

Type	AB	BC	BF	C	CC	CK	CU	CV	E	FP	HD	HS	JSR	JSE	KT	M	M ₁ (3)	RM	T	TR	kg	Litres Liter
QVPD4	285	290	-	530	523	200	290	660	225	40	109	602	207	247	540	195	260	95	35	40	570	33
QVPE4	320	332	-	600	607	234	326	749	260	40	109	647	245	245	612	225	310	105	35	45	870	50
QVPF4	365	372	-	690	696	265	370	852	295	50	126	718	293	293	703	265	340	135	42	52	1250	67
QVPG4	450	455	490	860	800	304	455	983	375	55	148	735	345	345	767	330	425	150	48	65	1830	102
QVPH4	450	455	490	860	872	304	455	1055	375	55	148	735	345	345	767	330	425	150	48	65	1930	125

Type	Shafts Keys		Arbres Clavettes		Wellen Paßfeder		Assen Spieën		DIN 6885-T1 "FormA"		
	DD-k6	DN max	LD	LV min	XD	YD	ZD				
QVPD4	38	-	82	-	10	41	M12				
QVPE4	38	-	82	-	10	41	M12				
QVPF4	42	120	82	9	12	45	M16				
QVPG4	48	155	82	10	14	51,5	M16				
QVPH4	48	155	82	10	14	51,5	M16				

Type	Shafts Keys		Arbres Clavettes		Wellen Paßfeder		Assen Spieën		DIN 6885-T1 "FormA"		
	Solid - Plein - Voll - Vol R					Solid - Plein - Voll - Vol E					
	DR-m6	LR	XR	YR	ZR	DE-m6	LE	XE	YE	ZE	
QVPD4	120	210	32	127	M24	140	250	36	148	M30	
QVPE4	140	250	36	148	M30	150	250	36	158	M30	
QVPF4	160	300	40	169	M30	180	300	45	190	M30	
QVPG4	190	350	45	200	M30	220	350	50	231	M30	
QVPH4	200	350	45	210	M30	220	350	50	231	M30	

Gear unit	Réducteur à engrenages	Zahnradgetriebe	Tandwielkast	Q
Vertical L.S.S.	Arbre P.V. vertical	Langsamdr. Welle: vert.	Langz. dr. as: vertic.	V
Parallel shafts	Arbres parallèles	Stirnräder	Evenwijdige assen	P
Size	Taille	Baugröße	Grootte	D ▶ H
Four stages	Quatre étages	Vierstufig	Viertraps	4
For mixer drives	Pour mélangeurs	Für Mischerantriebe	Voor mengeraandrijvingen	

mm

The user is responsible for the provision of **safety guards** and correct installation of all equipment.

Certified dimensions upon request.

Les dispositifs de protection doivent être prévus par l'utilisateur. Celui-ci est responsable de l'installation correcte de l'ensemble.

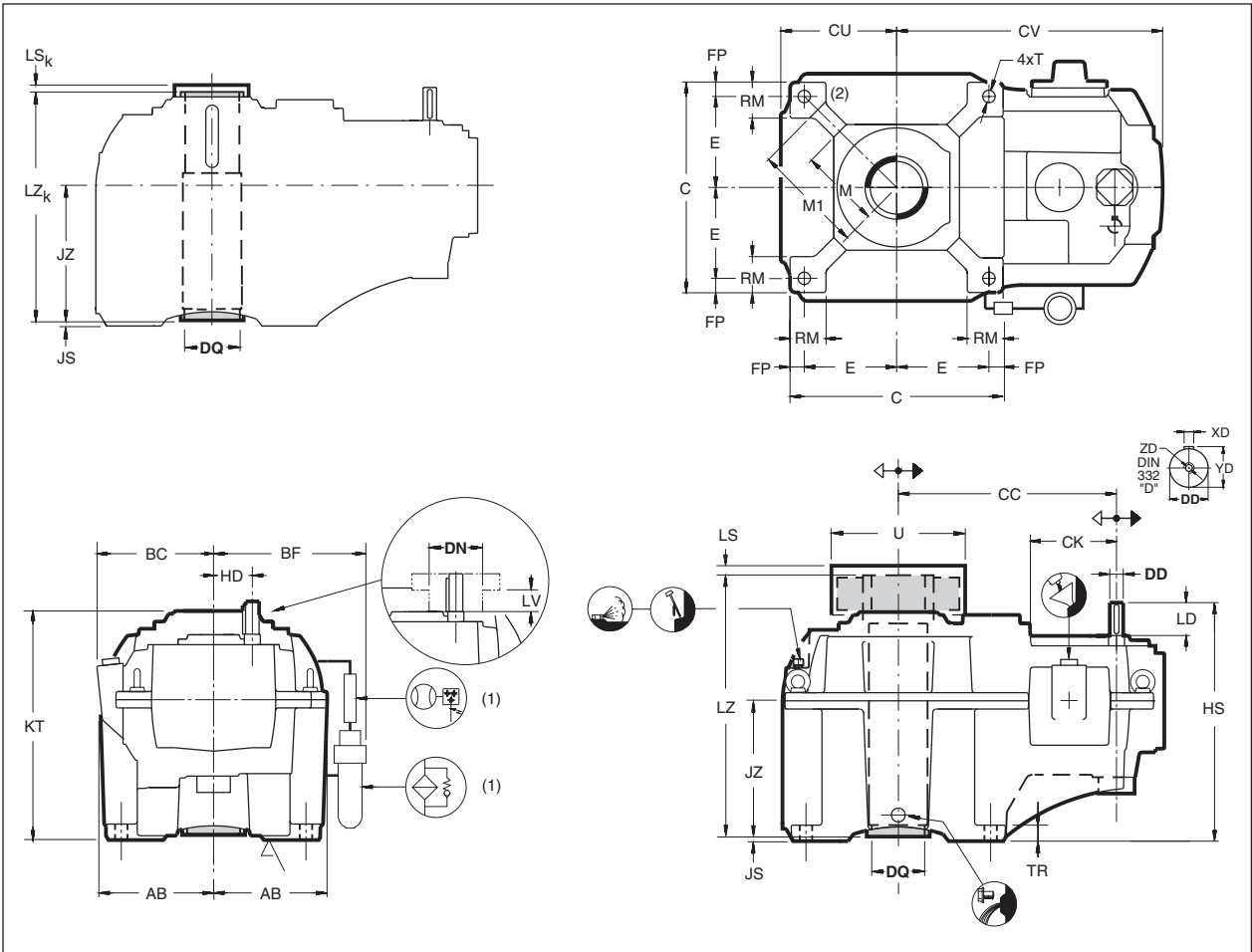
Dimensions définitives sur demande.

Der Benutzer ist verantwortlich für die Beistellung der **Schutzhauben** und das fachgemäße Aufstellen der gesamten Ausrüstung.

Verbindl. Abmessungen auf Wunsch.

De gebruiker is verantwoordelijk voor het voorzien van de **beschermkappen** en het vakkundig installeren van de volledige uitrusting.

Bindende afmetingen op verzoek.



UDD



Shaft arrangements
(front view)

UDK



Dispositions des arbres
(vue en élévation)

Wellenanordnungen
(Vorderansicht)

Asschikkingen
(vooraanzicht)

(1) Standard for gear units sizes G and H
(2) Minimum mounting pad surface, see page C44

(1) Standard pour réducteurs tailles G et H
(2) Surface de fixation minimale aux pattes de fixation, voir page C44

(1) Standardmäßig für Getriebegrößen G und H
(2) Mindestbefestigungsfläche an den Befestigungsfüßen, siehe Seite C44

(1) Standaard voor tandwielkasten grootte G en H
(2) Minimum bevestigingsoppervlak aan de bevestigingsvoeten, zie blz. C44

Type	AB	BC	BF	C	CC	CK	CU	CV	E	FP	HD	HS	JS	JZ	KT	M	M ₁ (2)	RM	T	TR	kg	Litres Liter
QVPD4	285	290	-	530	523	200	290	660	225	40	109	602	8	322	540	195	260	95	35	40	570	33
QVPE4	320	332	-	600	607	234	326	749	260	40	109	647	15	360	612	225	310	105	35	45	870	50
QVPF4	365	372	-	690	696	265	370	852	295	50	126	718	22	408	703	265	340	135	42	52	1250	67
QVPG4	450	455	490	860	800	304	455	983	375	55	148	735	25	405	767	330	425	150	48	65	1830	102
QVPH4	450	455	490	860	872	304	455	1055	375	55	148	735	20	410	767	330	425	150	48	65	1930	125

Type	Shafts Keys		Arbres Clavettes		Wellen Paßfeder		Assen Spieën		DIN 6885-T1 "FormA"					
	Hollow - Creux - Hohl - Hol							DD-k6	DN max	LD	LV min	XD	YD	ZD
	DQ	LS	LS _k	LZ	LZ _k	U max								
QVPD4	130	30	40	650	554	310	38	-	82	-	10	41	M12	
QVPE4	150	30	40	738	620	340	38	-	82	-	10	41	M12	
QVPF4	170	30	40	821	683	390	42	120	82	9	12	45	M16	
QVPG4	190	30	50	886	744	425	48	155	82	10	14	51,5	M16	
QVPH4	210	40	55	908	754	450	48	155	82	10	14	51,5	M16	

mm

Gear unit	Réducteur à engrenages	Zahnradgetriebe	Tandwielkast	Q
Vertical L.S.S.	Arbre P.V. vertical	Langsamdr. Welle: vert.	Langz. dr. as: vertic.	V
Parallel shafts	Arbres parallèles	Stirnräder	Evenwijdige assen	P
Size	Taille	Baugröße	Grootte	J ▶ M
Four stages	Quatre étages	Vierstufig	Viertraps	4
For mixer drives	Pour mélangeurs	Für Mischerantriebe	Voor mengeraandrijvingen	

The user is responsible for the provision of **safety guards** and correct installation of all equipment.

Certified dimensions upon request.

Les dispositifs de protection doivent être prévus par l'utilisateur. Celui-ci est responsable de l'installation correcte de l'ensemble.

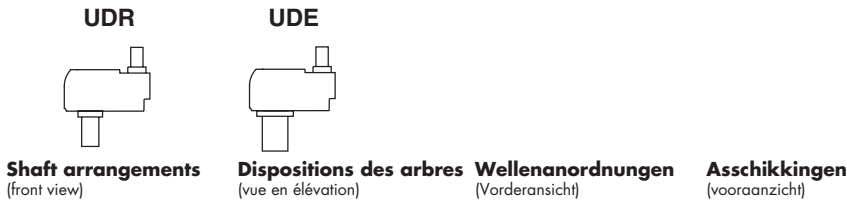
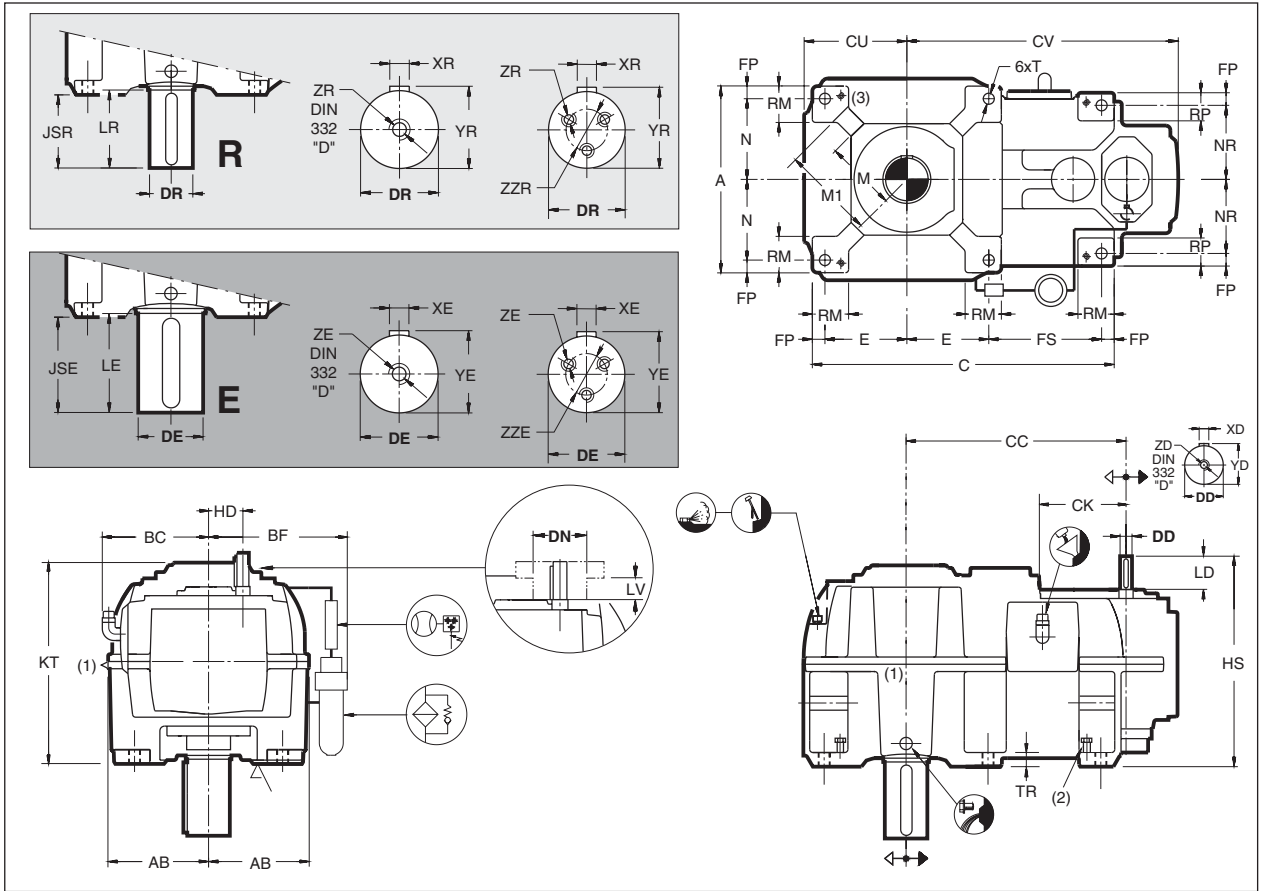
Dimensions définitives sur demande.

Der Benutzer ist verantwortlich für die Beistellung der **Schutzhauben** und das fachgemäße Aufstellen der gesamten Ausrüstung.

Verbindl. Abmessungen auf Wunsch.

De gebruiker is verantwoordelijk voor het voorzien van de **beschermkappen** en het vakkundig installeren van de volledige uitrusting.

Bindende afmetingen op verzoek.



- (1) Grease lubrication point
- (2) 4x jacking screw
- (3) Minimum mounting pad surface, see page C44

Type	A	AB	BC	BF	C	CC	CK	CU	CV	E	FP	FS	HD	HS	JSR	JSE	KT	M	M ₁ (3)	N	NR	RM	RP	T	TR	kg	Litres Liter
QVPJ4	1010	525	555	635	1380	942	351	540	1137	410	55	450	171	810	342	402	864	390	500	450	385	160	140	48	70	3000	305
QVPK4	1010	525	555	635	1380	1020	351	540	1223	410	55	450	171	810	402	402	864	390	500	450	385	160	140	48	70	3400	325
QVPL4	1240	640	665	750	1650	1110	399	655	1340	510	60	510	197	940	400	460	1024	410	600	560	490	175	155	56	80	5200	520
QVPM4	1240	640	665	750	1650	1208	399	655	1438	510	60	510	197	940	460	460	1024	410	600	560	490	175	155	56	80	5700	540

- (1) Point de graissage
- (2) 4x vis de réglage
- (3) Surface de fixation minimale aux pattes de fixation, voir page C44

Type	Shafts Keys - Arbres Clavettes - Wellen Paßfeder - Assen Spieën				DIN 6885-T1 "FormA"			
	DD-m6	DN max	LD	LV min	XD	YD	ZD	
QVPJ4	58	175	105	12	16	62	M20	
QVPK4	58	175	105	12	16	62	M20	
QVPL4	65	-	105	-	18	69	M20	
QVPM4	65	-	105	-	18	69	M20	

- (1) Vetsmeerpunt
- (2) 4x regelschroef
- (3) Minimum bevestigingsoppervlak aan de bevestigingsvoeten, zie blz. C44

Type	Shafts Keys - Arbres Clavettes - Wellen Paßfeder - Assen Spieën				ISO/R773-1969							
	Solid - Plein - Voll - Vol R						Solid - Plein - Voll - Vol E					
	DR-m6	LR	XR	YR	ZR	ZZR	DE-m6	LE	XE	YE	ZE	ZZE
QVPJ4	220	350	50	231	M30	-	240	410	56	252	M30	-
QVPK4	240	410	56	252	M30	-	260	410	56	272	3 x M24	140
QVPL4	260	410	56	272	3 x M24	140	280	470	63	292	3 x M24	140
QVPM4	280	470	63	292	3 x M24	140	300	470	70	314	3 x M24	140

Gear unit	Réducteur à engrenages	Zahnradgetriebe	Tandwielkast	Q
Vertical L.S.S.	Arbre P.V. vertical	Langsamdr. Welle: vert.	Langz. dr. as: vertic.	V
Parallel shafts	Arbres parallèles	Stirnräder	Evenwijdige assen	P
Size	Taille	Baugröße	Grootte	J ▶ M
Four stages	Quatre étages	Vierstufig	Viertraps	4
For mixer drives	Pour mélangeurs	Für Mischerantriebe	Voor mengeraandrijvingen	

mm

The user is responsible for the provision of **safety guards** and correct installation of all equipment.

Certified dimensions upon request.

Les dispositifs de protection doivent être prévus par l'utilisateur. Celui-ci est responsable de l'installation correcte de l'ensemble.

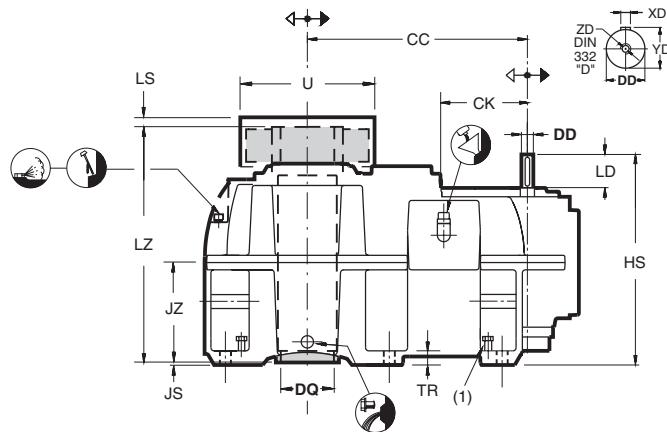
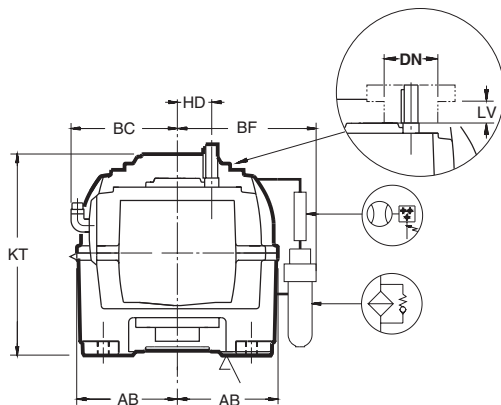
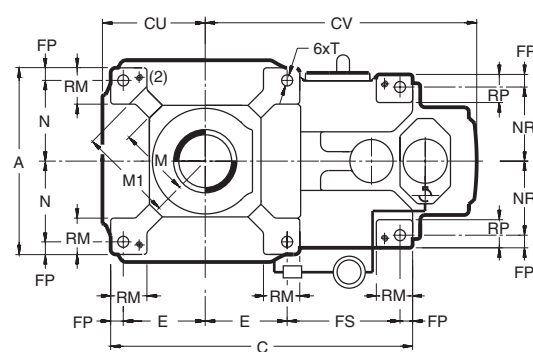
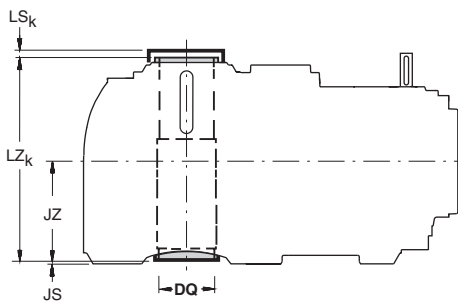
Dimensions définitives sur demande.

Der Benutzer ist verantwortlich für die Beistellung der **Schutzhauben** und das fachgemäße Aufstellen der gesamten Ausrüstung.

Verbindl. Abmessungen auf Wunsch.

De gebruiker is verantwoordelijk voor het voorzien van de **beschermkappen** en het vakkundig installeren van de volledige uitrusting.

Bindende afmetingen op verzoek.



UDD



Shaft arrangements
(front view)

UDK



Dispositions des arbres
(vue en élévation)

Wellenanordnungen
(Vorderansicht)

Asschikkingen
(vooraanzicht)

(1) 4x jacking screw
(2) Minimum mounting pad surface, see page C44

(1) 4x vis de réglage
(2) Surface de fixation minimale aux pattes de fixation, voir page C44

(1) 4x Einstellschraube
(2) Mindestbefestigungsfläche an den Befestigungsfüßen, siehe Seite C44

(1) 4x regelschroef
(2) Minimum bevestigingsoppervlak aan de bevestigingsvoeten, zie blz. C44

Type	A	AB	BC	BF	C	CC	CK	CU	CV	E	FP	FS	HD	HS	JS	JZ	KT	M	M ₁ (2)	N	NR	RM	RP	T	TR	kg	Litres
QVPJ4	1010	525	555	635	1380	942	351	540	1137	410	55	450	171	810	23	427	864	390	500	450	385	160	140	48	70	3000	305
QVPK4	1010	525	555	635	1380	1020	351	540	1223	410	55	450	171	810	23	427	864	390	500	450	385	160	140	48	70	3400	325
QVPL4	1240	640	665	750	1650	1110	399	655	1340	510	60	510	197	940	20	505	1024	410	600	560	490	175	155	56	80	5200	520
QVPM4	1240	640	665	750	1650	1208	399	655	1438	510	60	510	197	940	20	505	1024	410	600	560	490	175	155	56	80	5700	540

Type	Shafts Keys		Arbres Clavettes		Wellen Paßfeder		Assen Spieën						
	Hollow - Creux - Hohl - Hol							DIN 6885-T1 "FormA"					
	DQ	LS	LS _k	LZ	LZ _k	U max	DD-m6	DN max	LD	LV min	XD	YD	ZD
QVPJ4	230	40	55	1014	847	480	58	175	105	12	16	62	M20
QVPK4	260	40	55	1024	847	540	58	175	105	12	16	62	M20
QVPL4	280	40	65	1181	989	595	65	-	105	-	18	69	M20
QVPM4	300	40	65	1188	989	615	65	-	105	-	18	69	M20

Gear unit	Réducteur à engrenages	Zahnradgetriebe	Tandwielkast	Q
Vertical L.S.S.	Arbre P.V. vertical	Langsamdr. Welle: vert.	Langz. dr. as: vertik.	V
Parallel shafts	Arbres parallèles	Stirnräder	Evenwijdige assen	P
Size	Taille	Baugröße	Grootte	D > H
Three stages	Trois étages	Dreistufig	Drietrap	3

mm

With extended bearing housing	Avec boîtier de palier allongé	Mit verlängertem Lagergehäuse	Met verlengd lagerhuis	..L
--------------------------------------	---------------------------------------	--------------------------------------	-------------------------------	------------

For mixer drives

Pour mélangeurs

Für Mischerantriebe

Voor mengeraandrijvingen

The user is responsible for the provision of **safety guards** and correct installation of all equipment.

Certified dimensions upon request.

Les dispositifs de protection doivent être prévus par l'utilisateur. Celui-ci est responsable de l'installation correcte de l'ensemble.

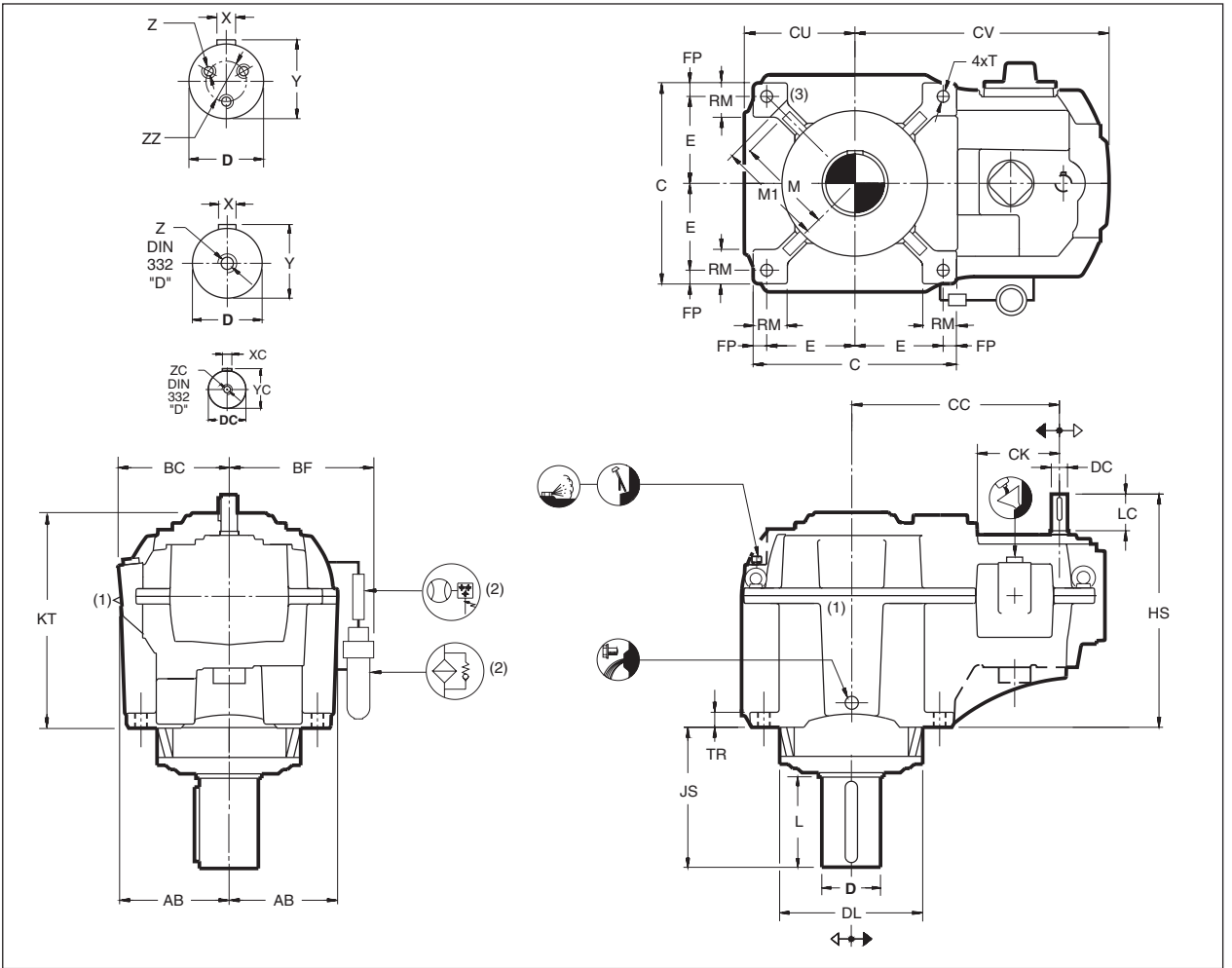
Dimensions définitives sur demande.

Der Benutzer ist verantwortlich für die Beistellung der **Schutzhauben** und das fachgemäße Aufstellen der gesamten Ausrüstung.

Verbindl. Abmessungen auf Wunsch.

De gebruiker is verantwoordelijk voor het voorzien van de **beschermkappen** en het vakkundig installeren van de volledige uitrusting.

Bindende afmetingen op verzoek.



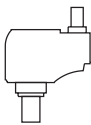
(1) Grease lubrication point
(2) Standard for gear units sizes G and H
(3) Minimum mounting pad surface, see page C44

(1) Point de graissage
(2) Standard pour réducteurs tailles G et H
(3) Surface de fixation minimale aux pattes de fixation, voir page C44

(1) Fettschmierstelle
(2) Standardmäßig für Getriebegrößen G und H
(3) Mindestbefestigungsoberfläche an den Befestigungsfüßen, siehe Seite C44

(1) Vetsmeerpunt
(2) Standaard voor tandwielkasten grootte G en H
(3) Minimum bevestigingsoppervlak aan de bevestigingsvoeten, zie blz. C44

UDL



Shaft arrangements
(front view)

Dispositions des arbres
(vue en élévation)

Wellenanordnungen
(Vorderansicht)

Asschikkingen
(vooraanzicht)

Type	AB	BC	BF	C	CC	CK	CU	CV	DL	E	FP	HS	JS	KT	M	M ₁ (3)	RM	T	TR	kg	Litres Liter
QVPD3	285	290	-	530	523	200	290	660	360	225	40	618	490	540	-	260	95	35	40	740	33
QVPE3	320	332	-	600	607	234	326	749	410	260	40	680	565	612	-	310	105	35	45	1120	45
QVPF3	365	372	-	690	696	265	370	852	480	295	50	790	570	703	-	340	135	42	52	1590	79
QVPG3	450	455	490	860	800	304	455	983	570	375	55	815	675	767	390	425	150	48	65	2390	98
QVPH3	450	455	490	860	872	304	455	1055	570	375	55	815	675	767	390	425	150	48	65	2500	106

Type	Shafts Keys		Arbres Clavettes		Wellen Paßfeder		Assen Spieën		DIN 6885-T1 "FormA"				
	D-m6	L	X	Y	Z	ZZ	DC	LC	XC	YC	ZC		
QVPD3	170	300	40	179	M30	-	42k6	110	12	45	M16		
QVPE3	190	350	45	200	M30	-	48k6	110	14	51,5	M16		
QVPF3	220	350	50	231	M30	-	58m6	140	16	62	M20		
QVPG3	240	410	56	252	3 x M24	140	65m6	140	18	69	M20		
QVPH3	260	410	56	272	3 x M24	140	65m6	140	18	69	M20		

Gear unit	Réducteur à engrenages	Zahnradgetriebe	Tandwielkast	Q	
Vertical L.S.S.	Arbre P.V. vertical	Langsamdr. Welle: vert.	Langz. dr. as: vertic.	V	
Parallel shafts	Arbres parallèles	Stirnräder	Evenwijdige assen	P	
Size	Taille	Baugröße	Grootte	J ▶ M	
Three stages	Trois étages	Dreistufig	Drietrap	3	
With extended bearing housing		Avec boîtier de palier allongé	Mit verlängertem Lagergehäuse	Met verlengd lagerhuis	..L
For mixer drives		Pour mélangeurs	Für Mischantriebe	Voor mengeraandrijvingen	

mm

The user is responsible for the provision of **safety guards** and correct installation of all equipment.

Certified dimensions upon request.

Les dispositifs de protection doivent être prévus par l'utilisateur. Celui-ci est responsable de l'installation correcte de l'ensemble.

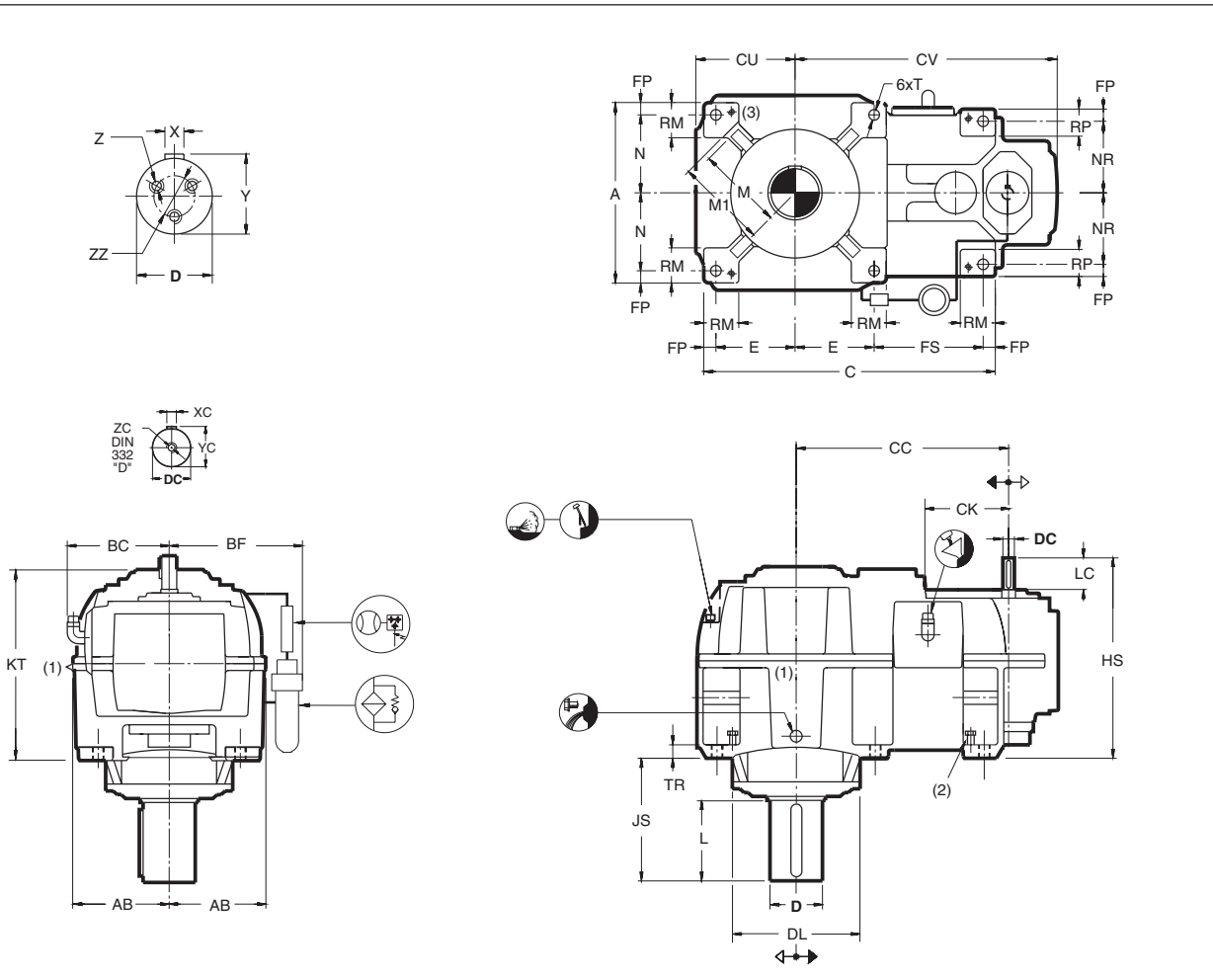
Dimensions définitives sur demande.

Der Benutzer ist verantwortlich für die Beistellung der **Schutzhauben** und das fachgemäße Aufstellen der gesamten Ausrüstung.

Verbindl. Abmessungen auf Wunsch.

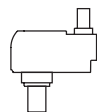
De gebruiker is verantwoordelijk voor het voorzien van de **beschermkappen** en het vakkundig installeren van de volledige uitrusting.

Bindende afmetingen op verzoek.



- (1) Grease lubrication point
- (2) 4x jacking screw
- (3) Minimum mounting pad surface, see page C44

UDL



Shaft arrangements
(front view)

Dispositions des arbres
(vue en élévation)

Wellenanordnungen
(Vorderansicht)

Asschikkingen
(vooraanzicht)

- (1) Point de graissage
- (2) 4x vis de réglage
- (3) Surface de fixation minimale aux pattes de fixation, voir page C44

- (1) Fettschmierstelle
- (2) 4x Einstellschraube
- (3) Mindestbefestigungsoberfläche an den Befestigungsfüßen, siehe Seite C44

Type	A	AB	BC	BF	C	CC	CK	CU	CV	DL	E	FP	FS	HS	JS	KT	M	M ₁ (3)	N	NR	RM	RP	T	TR	kg	Litres
QVPJ3	1010	525	555	635	1380	942	351	540	1137	650	410	55	450	865	765	864	450	500	450	385	160	140	48	70	3760	295
QVPK3	1010	525	555	635	1380	1020	351	540	1223	650	410	55	450	865	765	864	450	500	450	385	160	140	48	70	4160	315
QVPL3	1240	640	665	750	1650	1110	399	655	1340	750	510	60	510	1010	805	1024	505	600	560	490	175	155	56	80	6230	500
QVPM3	1240	640	665	750	1650	1208	399	655	1438	750	510	60	510	1010	845	1024	505	600	560	490	175	155	56	80	6750	520

Type	Shafts Keys		Arbres Clavettes		Wellen Paßfeder		Assen Spieën		DIN 6885-T1 "FormA"				
	D-m6	L	X	Y	Z	ZZ	DC-m6	LC	XC	YC	ZC		
QVPJ3	280	470	63	292	3 x M24	140	75	140	20	79,5	M20		
QVPK3	300	470	70	314	3 x M24	140	75	140	20	79,5	M20		
QVPL3	320	510	70	334	3 x M24	140	85	170	22	90	M20		
QVPM3	340	550	80	355	3 x M24	250	85	170	22	90	M20		

- (1) Vetsmeerpunt
- (2) 4x regelschroef
- (3) Minimum bevestigingsoppervlak aan de bevestigingsvoeten, zie blz. C44

Motor-reducer	Moto-reducteur	Getriebe mit Flanschmotor	Motorreduktiekast	Q
Vertical L.S.S.	Arbre P.V. vertical	Langsamdr. Welle: vert.	Langz. dr. as: vertic.	V
Parallel shafts	Arbres parallèles	Stirnräder	Evenwijdige assen	P
Size	Taille	Baugröße	Grootte	D ▶ H
Three stages	Trois étages	Dreistufig	Drietraps	3

mm

With extended bearing housing	Avec boîtier de palier allongé	Mit verlängertem Lagergehäuse	Met verlengd lagerhuis	..L
--------------------------------------	---------------------------------------	--------------------------------------	-------------------------------	------------

For mixer drives	Pour mélangeurs	Für Mischerantriebe	Voor mengeraandrijvingen
-------------------------	------------------------	----------------------------	---------------------------------

The user is responsible for the provision of **safety guards** and correct installation of all equipment.

Certified dimensions upon request.

Les dispositifs de protection doivent être prévus par l'utilisateur. Celui-ci est responsable de l'installation correcte de l'ensemble.

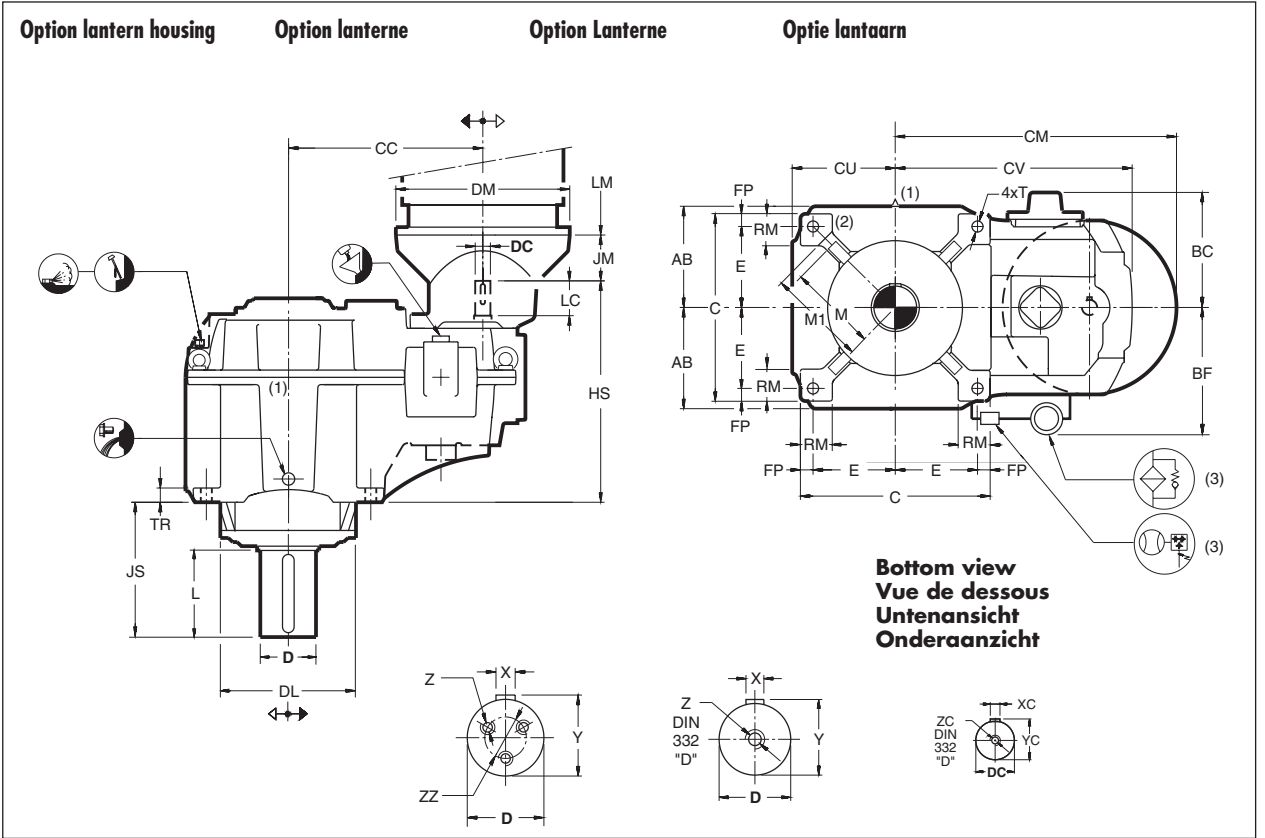
Dimensions définitives sur demande.

Der Benutzer ist verantwortlich für die Beistellung der **Schutzhauben** und das fachgemäße Aufstellen der gesamten Ausrüstung.

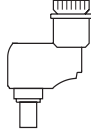
Verbindl. Abmessungen auf Wunsch.

De gebruiker is verantwoordelijk voor het voorzien van de **beschermkappen** en het vakkundig installeren van de volledige uitrusting.

Bindende afmetingen op verzoek.



UDL



Shaft arrangements
(front view)

Dispositions des arbres
(vue en élévation)

Wellenanordnungen
(Vorderansicht)

Asschikkingen
(vooraanzicht)

- (1) Grease lubrication point
- (2) Minimum mounting pad surface, see page C44
- (3) Standard for gear units sizes G and H

Type	AB	BC	BF	C	CC	CU	CV	DL	E	FP	HS	JS	M	M ₁ (2)	RM	T	TR	kg	Litres Liter
QVPD3	285	290	-	530	523	290	660	360	225	40	618	490	-	260	95	35	40	780	33
QVPE3	320	332	-	600	607	326	749	410	260	40	680	565	-	310	105	35	45	1170	45
QVPF3	365	372	-	690	696	370	852	480	295	50	790	570	-	340	135	42	52	1660	79
QVPG3	450	455	490	860	800	455	983	570	375	55	815	675	390	425	150	48	65	2490	98
QVPH3	450	455	490	860	872	455	1055	570	375	55	815	675	390	425	150	48	65	2650	106

- (1) Point de graissage
- (2) Surface de fixation minimale aux pattes de fixation, voir page C44
- (3) Standard pour réducteurs tailles G et H

Type	Shafts Keys		Arbres Clavettes		Wellen Paßfeder		Assen Spieën		DIN 6885-T1 "FormA"			
	D-m6	L	X	Y	Z	ZZ	DC	LC	XC	YC	ZC	
QVPD3	170	300	40	179	M30	-	42k6	110	12	45	M16	
QVPE3	190	350	45	200	M30	-	48k6	110	14	51,5	M16	
QVPF3	220	350	50	231	M30	-	58m6	140	16	62	M20	
QVPG3	240	410	56	252	3 x M24	140	65m6	140	18	69	M20	
QVPH3	260	410	56	272	3 x M24	140	65m6	140	18	69	M20	

- (1) Fettschmierstelle
- (2) Mindestbefestigungsfläche an den Befestigungsvoeten, siehe Seite C44
- (3) Standardmaß für Getriebegrößen G und H

MOTOR - MOTEUR		Hansen P4										Coupling Accouplement Kupplung Koppeling	
IEC CEI V1	DM	QVPD3		QVPE3		QVPF3		QVPG3		QVPH3		CM	JM
		CM	JM	CM	JM	CM	JM	CM	JM	CM	JM		
160	350	698	115	782	115								
180	350	698	115	782	115								
200	400	723	115	807	115								
225	450	748	145	832	145	921	145	1025	145	1097	145		
250	550	798	145	882	145	971	145	1075	145	1147	145		
280	550	798	145	882	145	971	145	1075	145	1147	145		
315	660			937	175	1026	175	1130	175	1202	175		
355	800							1200	215	1272	215		

Refer to us
Nous consulter
Rückfrage zweckmäßig
Gelieve ons te raadplegen

- (1) Vetsmeerpunt
- (2) Minimum bevestigingsoppervlak aan de bevestigingsvoeten, zie blz. C44
- (3) Standaard voor tandwielkasten grootte G en H

Gear unit	Réducteur à engrenages	Zahnradgetriebe	Tandwielkast	Q
Vertical L.S.S.	Arbre P.V. vertical	Langsamdr. Welle: vert.	Langz. dr. as: vertic.	V
Parallel shafts	Arbres parallèles	Stirnräder	Evenwijdige assen	P
Size	Taille	Baugröße	Grootte	D ▶ H
Four stages	Quatre étages	Vierstufig	Viertraps	4

mm

With extended bearing housing	Avec boîtier de palier allongé	Mit verlängertem Lagergehäuse	Met verlengd lagerhuis	..L
--------------------------------------	--------------------------------	-------------------------------	------------------------	------------

For mixer drives **Pour mélangeurs** **Für Mischantriebe** **Voor mengeraandrijvingen**

The user is responsible for the provision of **safety guards** and correct installation of all equipment.

Certified dimensions upon request.

Les dispositifs de protection doivent être prévus par l'utilisateur. Celui-ci est responsable de l'installation correcte de l'ensemble.

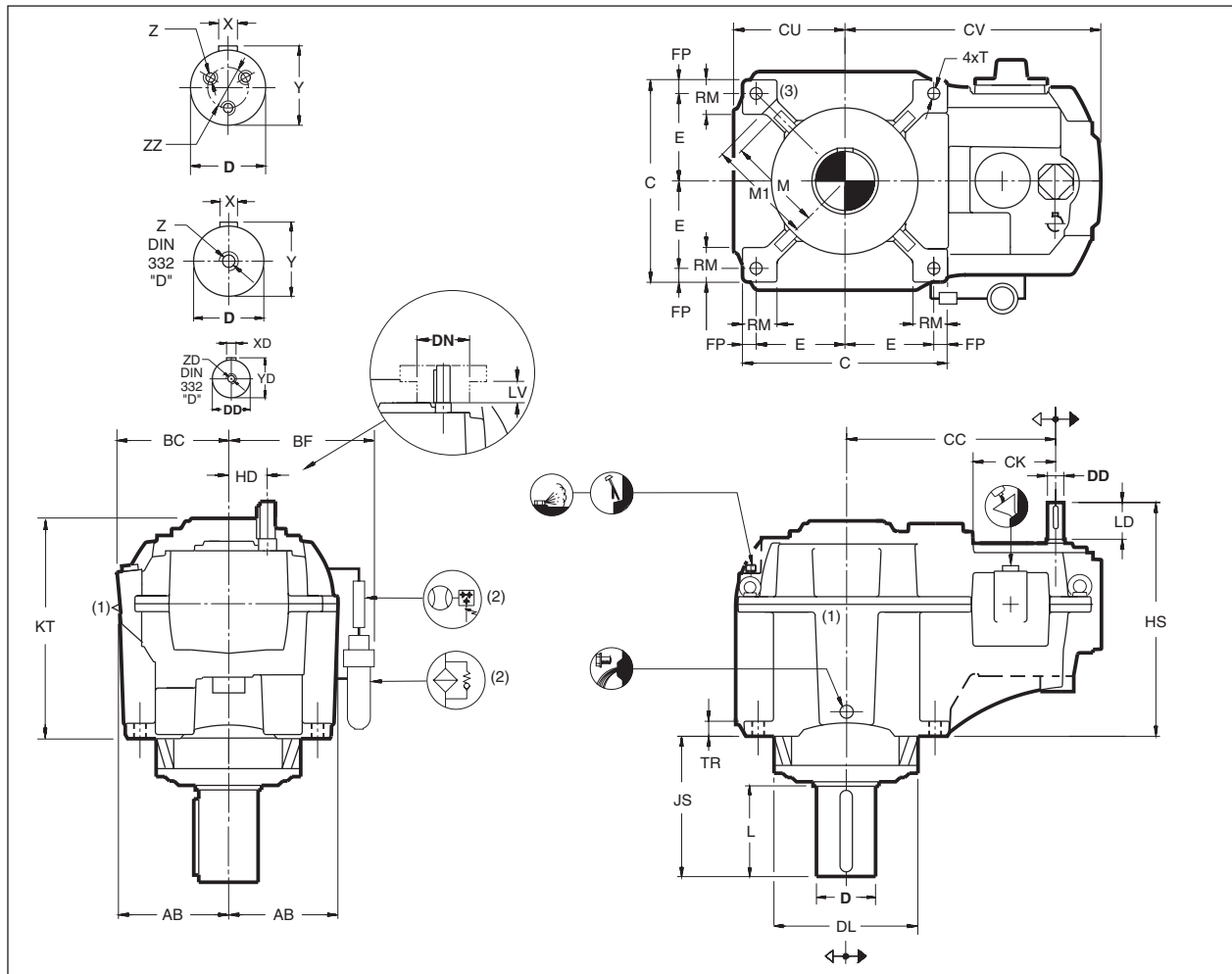
Dimensions définitives sur demande.

Der Benutzer ist verantwortlich für die Beistellung der **Schutzhauben** und das fachgemäße Aufstellen der gesamten Ausrüstung.

Verbindl. Abmessungen auf Wunsch.

De gebruiker is verantwoordelijk voor het voorzien van de **beschermkappen** en het vakkundig installeren van de volledige uitrusting.

Bindende afmetingen op verzoek.



(1) Grease lubrication point
(2) Standard for gear units sizes G and H
(3) Minimum mounting pad surface, see page C44

(1) Point de graissage
(2) Standard pour réducteurs tailles G et H

(3) Surface de fixation minimale aux pattes de fixation, voir page C44

(1) Fettschmierstelle
(2) Standardmäßig für Getriebegrößen G und H

(3) Mindestbefestigungsoberfläche an den Befestigungsfüßen, siehe Seite C44

(1) Vetsmeerpunt
(2) Standaard voor tandwielkasten grootte G en H

(3) Minimum bevestigingsoppervlak aan de bevestigingsvoeten, zie blz. C44



Type	AB	BC	BF	C	CC	CK	CU	CV	DL	E	FP	HD	HS	JS	KT	M	M ₁ (3)	RM	T	TR	kg	Litres
QVPD4	285	290	-	530	523	200	290	660	360	225	40	109	602	490	540	-	260	95	35	40	750	33
QVPE4	320	332	-	600	607	234	326	749	410	260	40	109	647	565	612	-	310	105	35	45	1130	50
QVPF4	365	372	-	690	696	265	370	852	480	295	50	126	718	570	703	-	340	135	42	52	1610	67
QVPG4	450	455	490	860	800	304	455	983	570	375	55	148	735	675	767	390	425	150	48	65	2420	102
QVPH4	450	455	490	860	872	304	455	1055	570	375	55	148	735	675	767	390	425	150	48	65	2530	125

Type	Shafts Keys - Arbres Clavettes - Wellen Paßfeder - Assen Spieën												
	DIN 6885-T1 "FormA"												
	D-m6	L	X	Y	Z	ZZ	DD-k6	DN max	LD	LV min	XD	YD	ZD
QVPD4	170	300	40	179	M30	-	38	-	82	-	10	41	M12
QVPE4	190	350	45	200	M30	-	38	-	82	-	10	41	M12
QVPF4	220	350	50	231	M30	-	42	120	82	9	12	45	M16
QVPG4	240	410	56	252	3 x M24	140	48	155	82	10	14	51,5	M16
QVPH4	260	410	56	272	3 x M24	140	48	155	82	10	14	51,5	M16

Gear unit	Réducteur à engrenages	Zahnradgetriebe	Tandwielkast	Q
Vertical L.S.S.	Arbre P.V. vertical	Langsamdr. Welle: vert.	Langz. dr. as: vertic.	V
Parallel shafts	Arbres parallèles	Stirnräder	Evenwijdige assen	P
Size	Taille	Baugröße	Grootte	J ▶ M
Four stages	Quatre étages	Vierstufig	Viertraps	4

mm

With extended bearing housing	Avec boîtier de palier allongé	Mit verlängertem Lagergehäuse	Met verlengd lagerhuis	..L
--------------------------------------	---------------------------------------	--------------------------------------	-------------------------------	------------

For mixer drives

Pour mélangeurs

Für Mischerantriebe

Voor mengeraandrijvingen

The user is responsible for the provision of **safety guards** and correct installation of all equipment.

Certified dimensions upon request.

Les dispositifs de protection doivent être prévus par l'utilisateur. Celui-ci est responsable de l'installation correcte de l'ensemble.

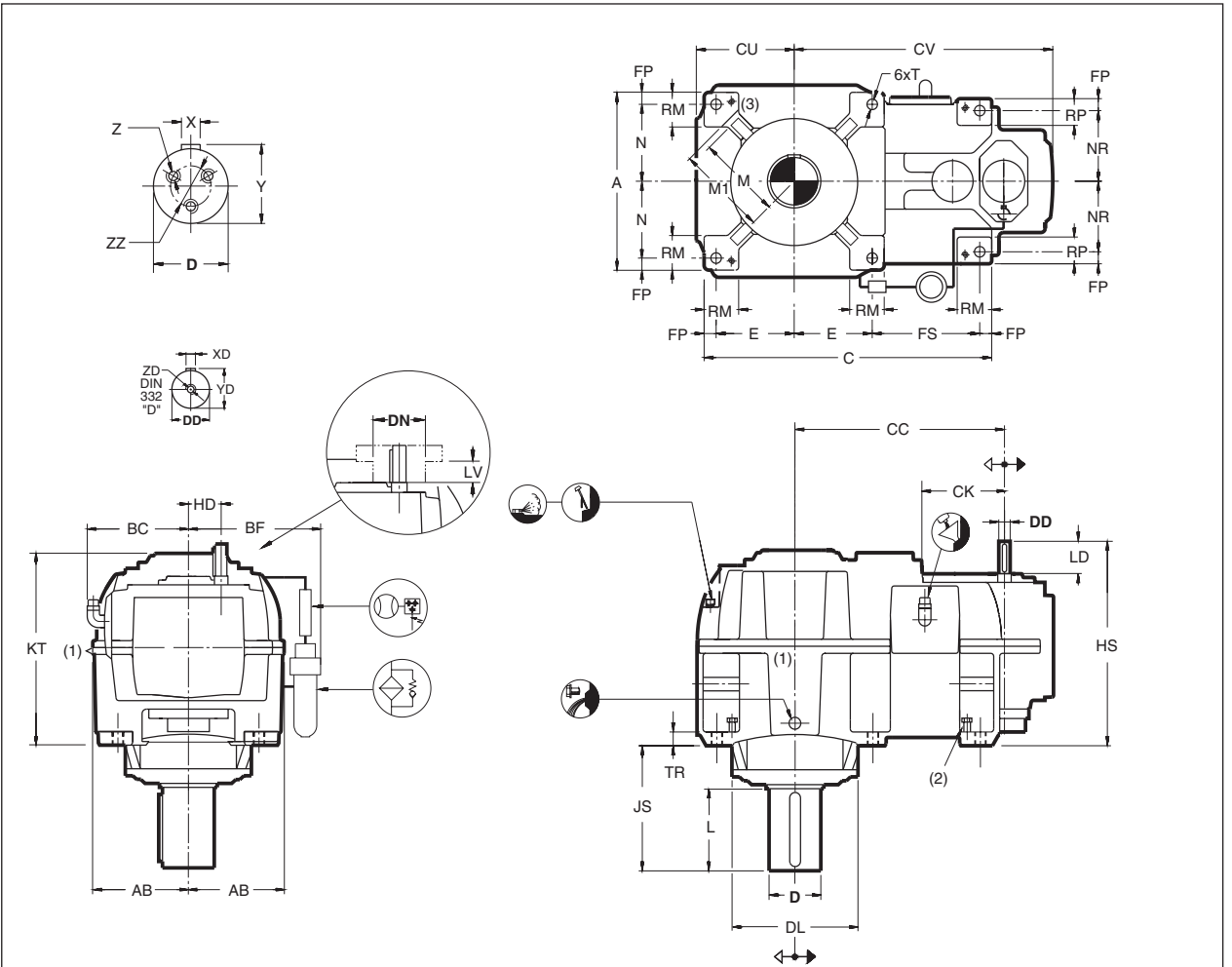
Dimensions définitives sur demande.

Der Benutzer ist verantwortlich für die Beistellung der **Schutzhauben** und das fachgemäße Aufstellen der gesamten Ausrüstung.

Verbindl. Afmetingen auf Wunsch.

De gebruiker is verantwoordelijk voor het voorzien van de **beschermkappen** en het vakkundig installeren van de volledige uitrusting.

Bindende afmetingen op verzoek.



(1) Grease lubrication point
(2) 4x jacking screw
(3) Minimum mounting pad surface, see page C44

(1) Point de graissage
(2) 4x vis de réglage
(3) Surface de fixation minimale aux pattes de fixation, voir page C44

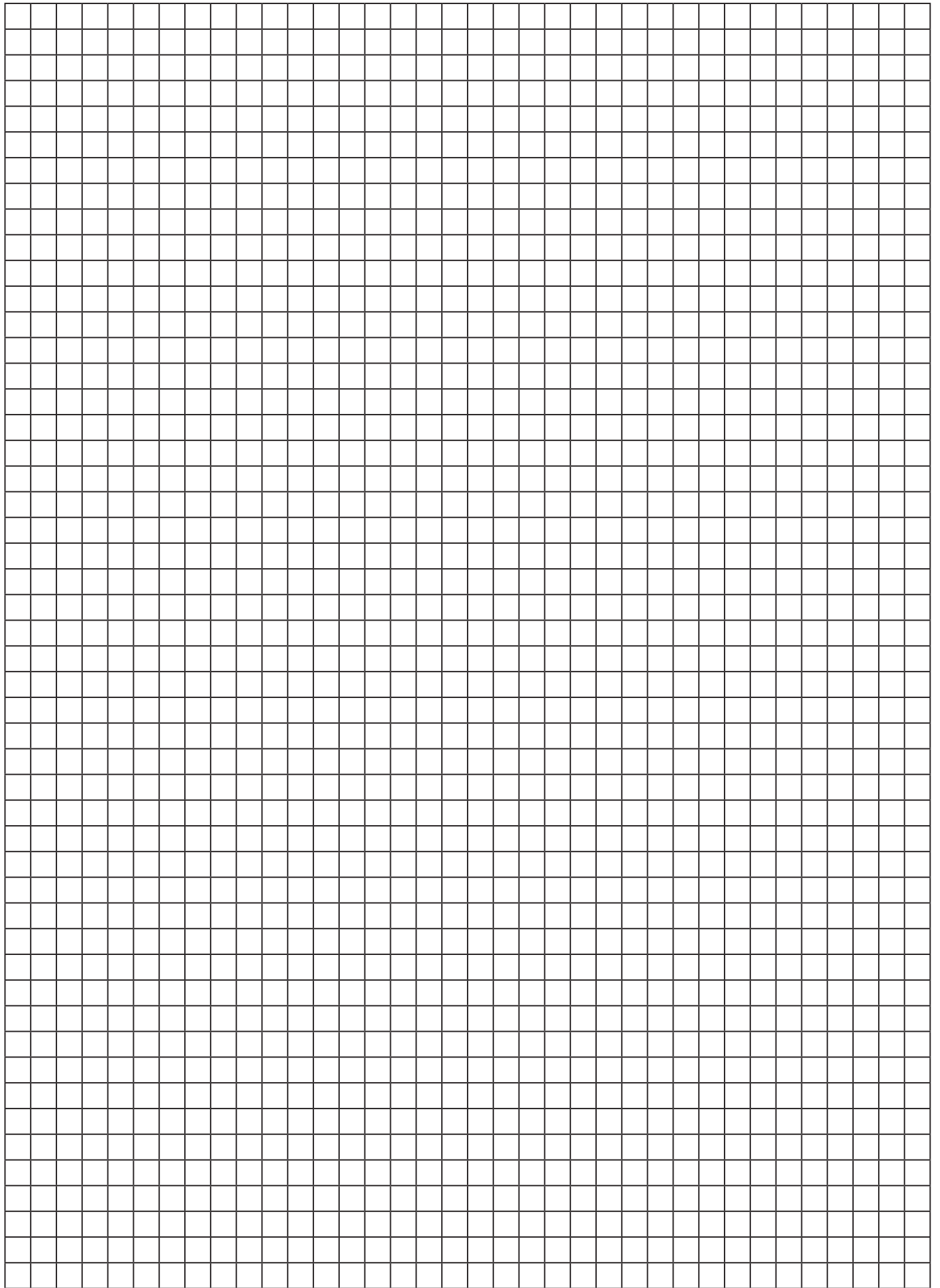
(1) Fettschmierstelle
(2) 4x Einstellschraube
(3) Mindestbefestigungsoberfläche an den Befestigungsfüßen, siehe Seite C44

(1) Vetsmeerpunt
(2) 4x regelschroef
(3) Minimum bevestigingsoppervlak aan de bevestigingsvoeten, zie blz. C44



Type	A	AB	BC	BF	C	CC	CK	CU	CV	DL	E	FP	FS	HD	HS	JS	KT	M	M ₁ (3)	N	NR	RM	RP	T	TR	kg	Litres
QVPJ4	1010	525	555	635	1380	942	351	540	1137	650	410	55	450	171	810	765	864	450	500	450	385	160	140	48	70	3860	305
QVPK4	1010	525	555	635	1380	1020	351	540	1223	650	410	55	450	171	810	765	864	450	500	450	385	160	140	48	70	4260	325
QVPL4	1240	640	665	750	1650	1110	399	655	1340	750	510	60	510	197	940	805	1024	505	600	560	490	175	155	56	80	6330	520
QVPM4	1240	640	665	750	1650	1208	399	655	1438	750	510	60	510	197	940	845	1024	505	600	560	490	175	155	56	80	6850	540

Type	Shafts Keys		Arbres Clavettes		Wellen Paßfeder		Assen Spiëen		DIN 6885-T1 "FormA"						
	D-m6	L	X	Y	Z	ZZ	DD-m6	DN max	LD	LV min	XD	YD	ZD		
QVPJ4	280	470	63	292	3 x M24	140	58	175	105	12	16	62	M20		
QVPK4	300	470	70	314	3 x M24	140	58	175	105	12	16	62	M20		
QVPL4	320	510	70	334	3 x M24	140	65	-	105	-	18	69	M20		
QVPM4	340	550	80	355	3 x M24	250	65	-	105	-	18	69	M20		



Gear unit	Réducteur à engrenages	Zahnradgetriebe	Tandwielkast	Q
Vertical L.S.S.	Arbre P.V. vertical	Langsamdr. Welle: vert.	Langz. dr. as: vertic.	V
Right-angle shafts	Arbres perpendiculaires	Kegel- und Stirnräder	Haakse assen	R
Size	Taille	Baugröße	Grootte	C ▶ F
Two stages	Deux étages	Zweistufig	Tweetraps	2

mm

For mixer drives

Pour mélangeurs

Für Mischerantriebe

Voor mengeraandrijvingen

The user is responsible for the provision of **safety guards** and correct installation of all equipment.

Certified dimensions upon request.

Les dispositifs de protection doivent être prévus par l'utilisateur. Celui-ci est responsable de l'installation correcte de l'ensemble.

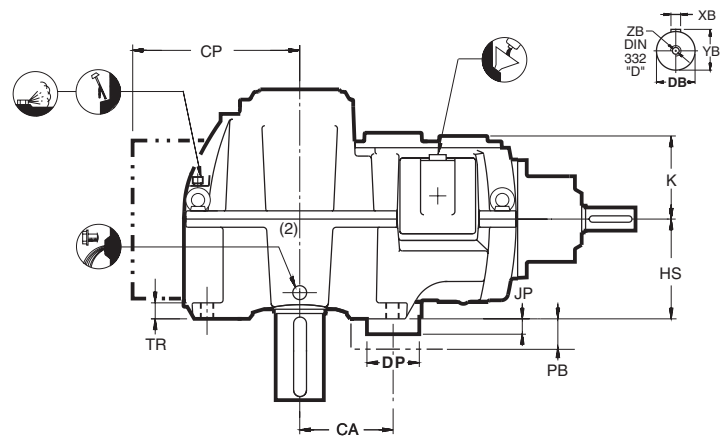
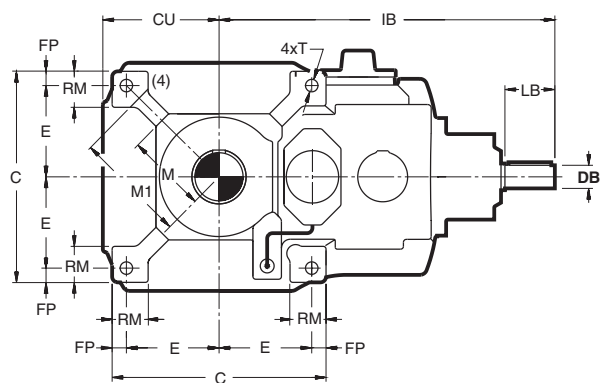
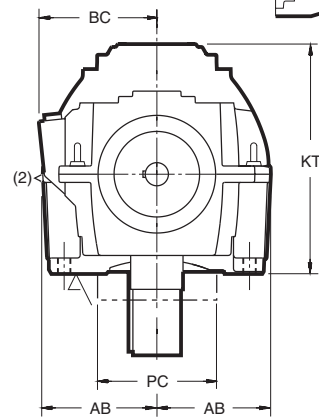
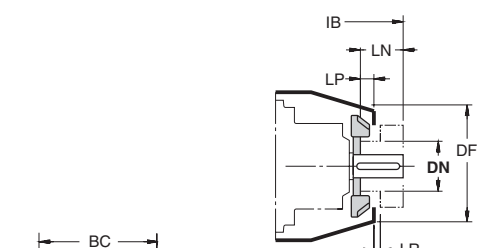
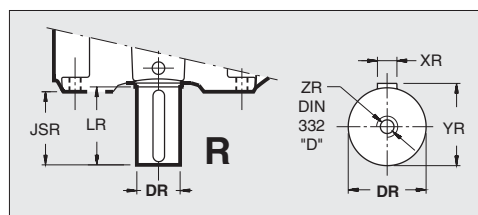
Dimensions définitives sur demande.

Der Benutzer ist verantwortlich für die Beistellung der **Schutzhauben** und das fachgemäße Aufstellen der gesamten Ausrüstung.

Verbindl. Abmessungen auf Wunsch.

De gebruiker is verantwoordelijk voor hetvoorzien van de **beschermkappen** en het vakkundig installeren van de volledige uitrusting.

Bindende afmetingen op verzoek.

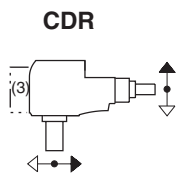


- (1) Space for pump removal
- (2) Grease lubrication point
- (3) For sizes E and F: motorpump at dipstick's side is required. Refer to us.
- (4) Minimum mounting pad surface, see page C44

- (1) Espace de dégagement de la pompe
- (2) Point de graissage
- (3) Pour réducteurs taillés E et F: motopompe du côté de la jauge d'huile est requise. Veuillez nous.
- (4) Surface de fixation minimale aux pattes de fixation, voir page C44

- (1) Freier Raum für Demontage der Pumpe
- (2) Fettschmierstelle
- (3) Für Getriebegrößen E und F: Motorpumpe an der Seite des Ölmaßstabes ist erforderlich. Rückfrage zu empfehlen.
- (4) Mindestbefestigungsfläche an den Befestigungsfüßen, siehe Seite C44

- (1) Vrije ruimte voor demontage pomp
- (2) Vetsmierpunt
- (3) Voor tandwielkasten grootte E en F: motorpomp aan de kant van de oliepeilstand is vereist. Gelieve ons te raadplegen.
- (4) Minimum bevestigingsoppervlak aan de bevestigingsvoeten, zie blz. C44



Shaft arrangements
(front view)

Dispositions des arbres
(vue en élévation)

Wellenanordnungen
(Vorderansicht)

Asschikkingen
(vooraanzicht)

Type	AB	BC	C	CU	E	FP	HS	IB	JSR	K	KT	M	M ₁ (4)	RM	T	TR	kg	Litres Liter
QVRC2	255	280	470	260	200	35	215	812	204	183	491	165	225	95	28	38	380	22
QVRD2	285	290	530	290	225	40	245	916	207	230	557	195	260	95	35	40	560	29
QVRE2	320	335	600	326	260	40	280	1012	245	237	630	225	310	105	35	45	840	50
QVRF2	365	372	690	370	295	50	320	1119	293	269	678	265	340	135	42	52	1290	75

Type	Shafts - Arbres - Wellen - Assen Keys Clavettes Paßfeder Spieën DIN 6885-T1 "FormA"										Fan-Ventilateur-Lüfter-Ventilator				Pump - Pompe - Pumpe - Pomp						
	Solid - Plein - Voll - Vol R										DF	DN max	LN	LP	LR min	CA	CP	DP(1)	JP	PB(1)	PC(1)
	DR-m6	LR	XR	YR	ZR	DB	LB	XB	YB	ZB											
QVRC2	110	210	28	116	M24	50k6	180	14	53,5	M16	320	160	155	45	20	197	-	145	48	100	145
QVRD2	120	210	32	127	M24	60m6	210	18	64	M20	410	210	185	70	30	226	-	145	41	95	145
QVRE2	140	250	36	148	M30	65m6	210	18	69	M20	410	210	185	70	30	-	(3)	-	-	-	-
QVRF2	160	300	40	169	M30	75m6	210	20	79,5	M20	600	280	185	10	40	-	(3)	-	-	-	-

Gear unit	Réducteur à engrenages	Zahnradgetriebe	Tandwielkast	Q
Vertical L.S.S.	Arbre P.V. vertical	Langsamdr. Welle: vert.	Langz. dr. as: vertic.	V
Right-angle shafts	Arbres perpendiculaires	Kegel- und Stirnräder	Haakse assen	R
Size	Taille	Baugröße	Grootte	C ▶ F
Two stages	Deux étages	Zweistufig	Tweetraps	2
For mixer drives	Pour mélangeurs	Für Mischerantriebe	Voor mengeraandrijvingen	

mm

The user is responsible for the provision of **safety guards** and correct installation of all equipment.

Certified dimensions upon request.

Les dispositifs de protection doivent être prévus par l'utilisateur. Celui-ci est responsable de l'installation correcte de l'ensemble.

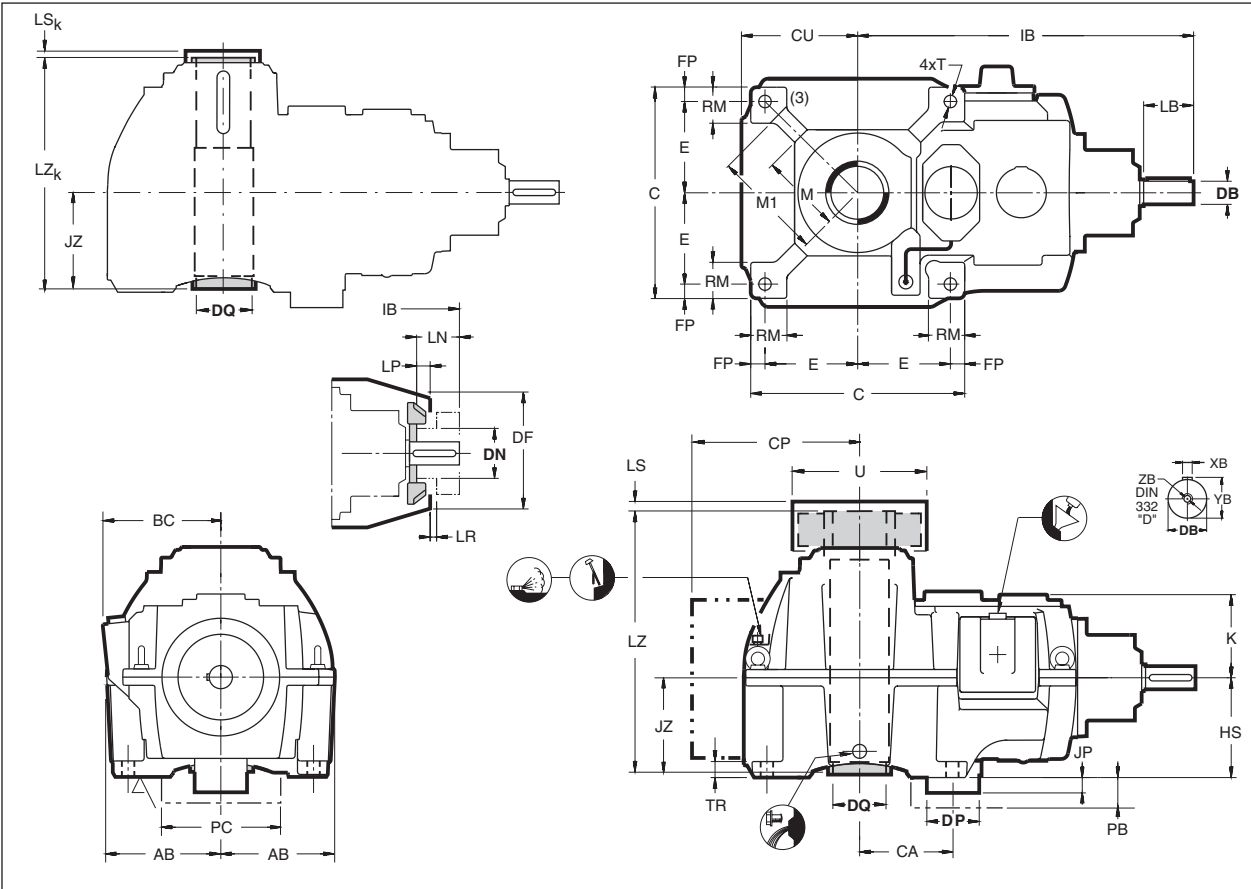
Dimensions définitives sur demande.

Der Benutzer ist verantwortlich für die Beistellung der **Schutzhauben** und das fachgemäße Aufstellen der gesamten Ausrüstung.

Verbindl. Abmessungen auf Wunsch.

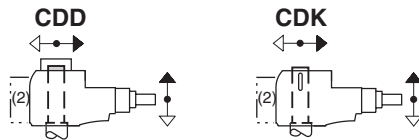
De gebruiker is verantwoordelijk voor hetvoorzien van de **beschermkappen** en het vakkundig installeren van de volledige uitrusting.

Bindende afmetingen op verzoek.



(1) Space for pump removal
(2) For sizes E and F: motorpump at dipstick's side is required. Refer to us.
(3) Minimum mounting pad surface, see page C44

(1) Espace de dégagement de la pompe
(2) Pour réducteurs tailles E et F: motopompe du côté de la jauge d'huile est requise. Veuillez nous consulter.
(3) Surface de fixation minimale aux pattes de fixation, voir page C44



Shaft arrangements
(front view)

Dispositions des arbres
(vue en élévation)

Wellenanordnungen
(Vorderansicht)

Asschikkingen
(vooraanzicht)

Type	AB	BC	C	CU	E	FP	HS	IB	JZ	K	M	M ₁ (3)	RM	T	TR	kg	Litres Liter
QVRC2	255	280	470	260	200	35	215	812	209	183	165	225	95	28	38	380	22
QVRD2	285	290	530	290	225	40	245	916	237	230	195	260	95	35	40	560	29
QVRE2	320	335	600	326	260	40	280	1012	265	237	225	310	105	35	45	840	50
QVRF2	365	372	690	370	295	50	320	1119	298	269	265	340	135	42	52	1290	75

(1) Vrije ruimte voor demontage pomp
(2) Voor tandwielkasten grootte E en F: motorpomp aan de kant van de oliepeilstang is vereist. Gelieve ons te raadplegen.
(3) Minimum bevestigingsoppervlak aan de bevestigingsvoeten, zie blz. C44

Type	Shafts - Arbres - Wellen - Assen Keys Clavettes Paßfeder Spieën DIN 6885-T1 "FormA"										Fan-Ventilateur-Lüfter-Ventilator					Pump - Pompe - Pumpe - Pomp						
	Hollow - Creux - Hohl - Hol					U max	DB	LB	XB	YB	ZB	DF	DN max	LN	LP	LR min	CA	CP	DP(1)	JP	PB(1)	PC(1)
	DQ	LS	LS _k	LZ	LZ _k																	
QVRC2	115	30	40	577	493	250	50k6	180	14	53,5	M16	320	160	155	45	20	197	-	145	48	100	145
QVRD2	130	30	40	650	554	310	60m6	210	18	64	M20	410	210	185	70	30	226	-	145	41	95	145
QVRE2	150	30	40	738	620	340	65m6	210	18	69	M20	410	210	185	70	30	-	(2)	-	-	-	-
QVRF2	170	30	40	821	683	390	75m6	210	20	79,5	M20	600	280	185	10	40	-	(2)	-	-	-	-

Gear unit	Réducteur à engrenages	Zahnradgetriebe	Tandwielkast	Q
Vertical L.S.S.	Arbre P.V. vertical	Langsamdr. Welle: vert.	Langz. dr. as: vertic.	V
Right-angle shafts	Arbres perpendiculaires	Kegel- und Stirnräder	Haakse assen	R
Size	Taille	Baugröße	Grootte	G ▶ M
Two stages	Deux étages	Zweistufig	Tweetraps	2
For mixer drives	Pour mélangeurs	Für Mischerantriebe	Voor mengeraandrijvingen	

mm

The user is responsible for the provision of **safety guards** and correct installation of all equipment.

Certified dimensions upon request.

Les dispositifs de protection doivent être prévus par l'utilisateur. Celui-ci est responsable de l'installation correcte de l'ensemble.

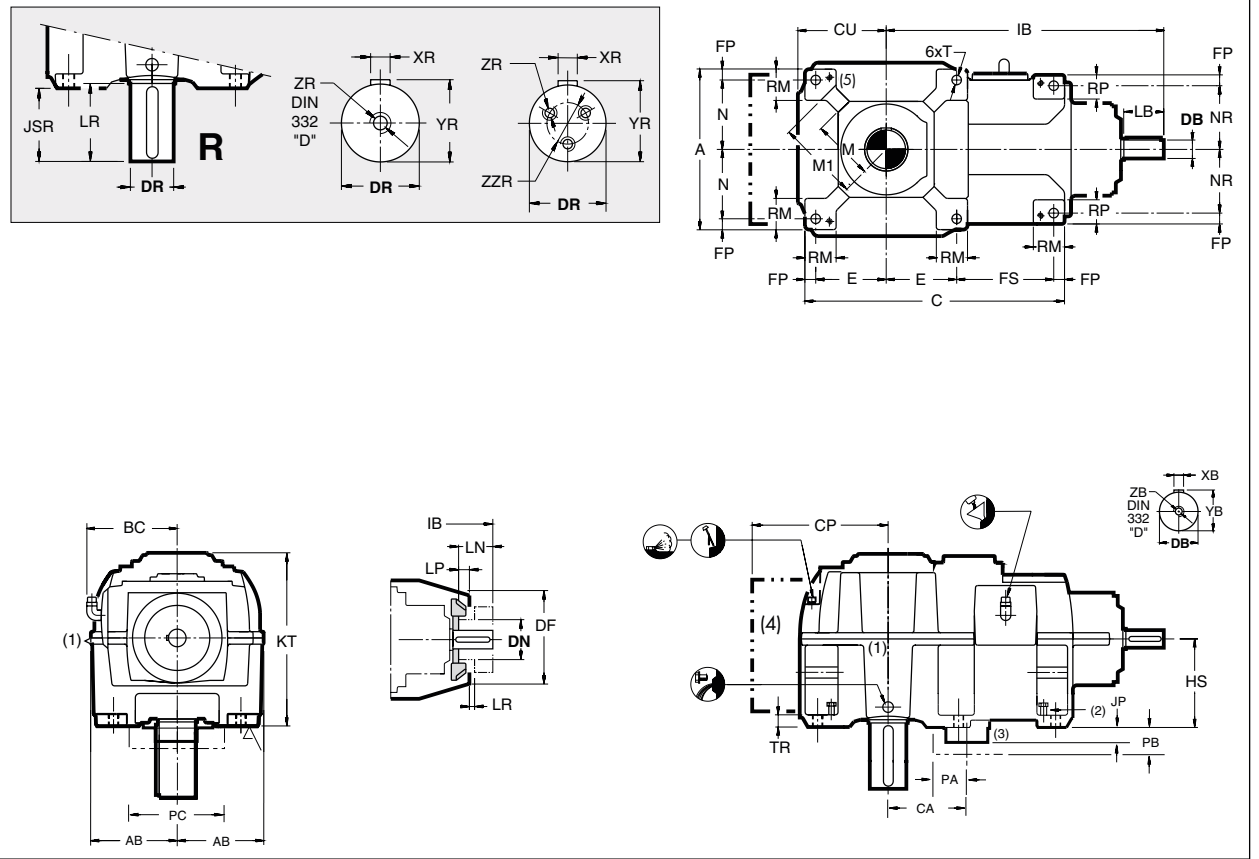
Dimensions définitives sur demande.

Der Benutzer ist verantwortlich für die Beistellung der **Schutzhauben** und das fachgemäße Aufstellen der gesamten Ausrüstung.

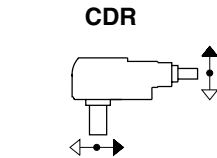
Verbindl. Abmessungen auf Wunsch.

De gebruiker is verantwoordelijk voor het voorzien van de **beschermkappen** en het vakkundig installeren van de volledige uitrusting.

Bindende afmetingen op verzoek.



- (1) Grease lubrication point
- (2) 4x jacking screw
- (3) Space for pump removal
- (5) Minimum mounting pad surface, see page C44



Shaft arrangements
(front view)

Dispositions des arbres
(vue en élévation)

Wellenanordnungen
(Vorderansicht)

Asschikkingen
(vooraanzicht)

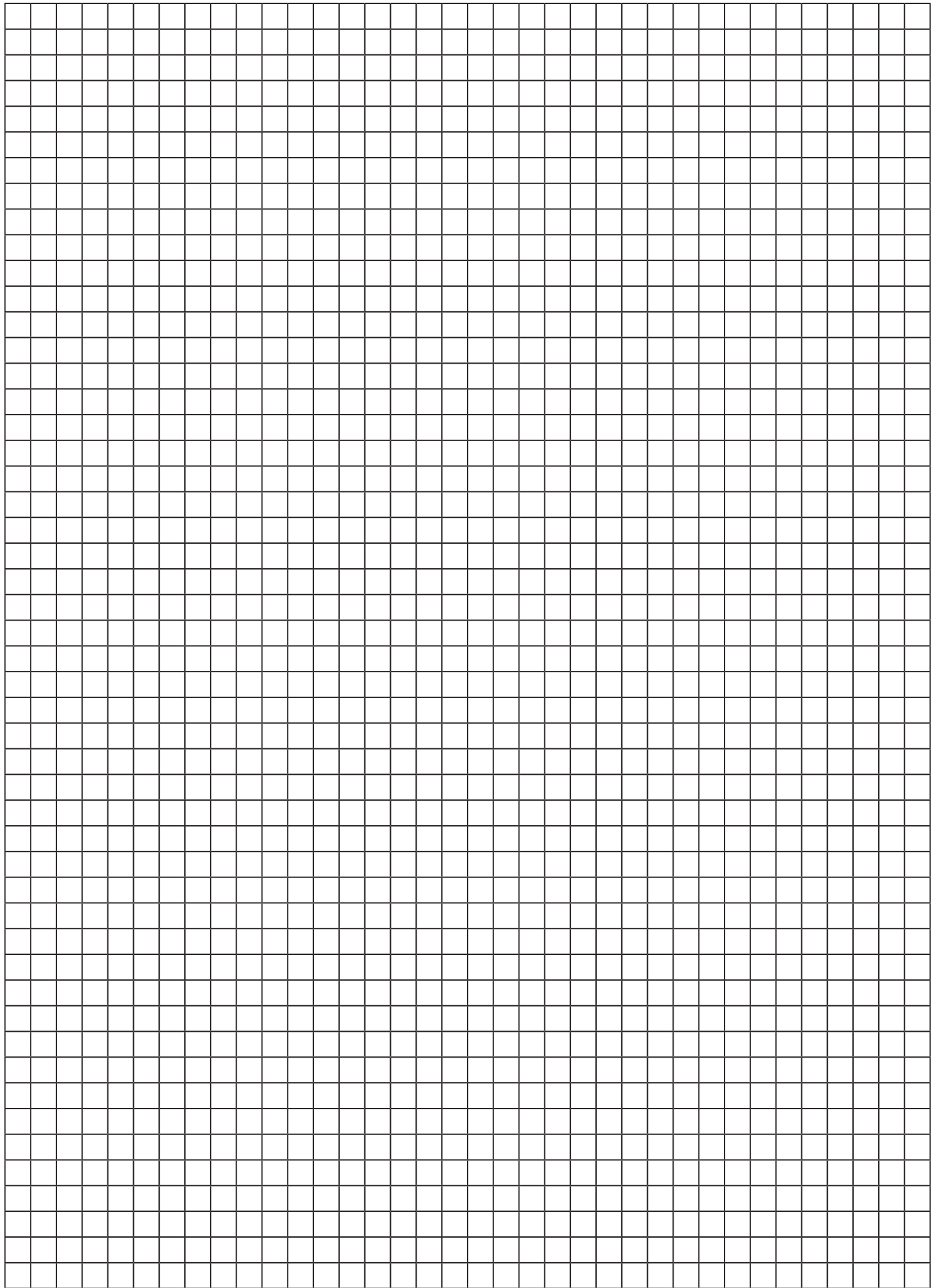
- (1) Point de graissage
- (2) 4x vis de réglage
- (3) Espace de dégageage de la pompe
- (5) Surface de fixation minimale aux pattes de fixation, voir page C44

- (1) Fettschmierstelle
- (2) 4x Einstellschraube
- (3) Freier Raum für Demontage der Pumpe
- (5) Mindestbefestigungsoberfläche an den Befestigungsfüßen, siehe Seite C44

- (1) Vetsmeerpunt
- (2) 4x regelschroef
- (3) Vrije ruimte voor demontage pomp
- (5) Minimum bevestigingsoppervlak aan de bevestigingsvoeten, zie blz. C44

Type	A	AB	BC	C	CU	E	FP	FS	HS	IB	JSR	KT	M	M ₁ (3)	N	NR	RM	RP	T	TR	kg	Litres Liter
QVRG2	770	405	435	1120	420	305	50	410	390	1241	345	727	290	360	335	275	140	120	42	60	1700	105
QVRH2	770	435	435	1232	460	345	50	442	390	1313	345	727	310	375	335	275	140	120	42	60	1800	118
QVRJ2	1010	525	555	1380	540	410	55	450	450	1442	342	864	390	500	450	385	160	140	48	70	2700	210
QVRK2	1010	525	555	1380	540	410	55	450	450	1520	402	864	390	500	450	385	160	140	48	70	3100	215
QVRL2	1240	640	665	1650	655	510	60	510	525	1742	400	1024	410	600	560	490	175	155	56	80	4700	400
QVRM2	1240	640	665	1650	655	510	60	510	525	1840	460	1024	410	600	560	490	175	155	56	80	5200	430

Type	Shafts - Arbres - Wellen - Assen Keys - Clavettes - Paßfeder - Spieen DIN 6885-T1 "FormA"												Fan-Ventilateur-Lüfter-Ventilator					Pump - Pompe - Pumpe - Bomba				
	Solid - Plein - Voll - Vol R												DF	DN max	LN	LP	LR min	CA	JP	PA (3)	PB (3)	PC (3)
	DR-m6	LR	XR	YR	ZR	ZZR	DB-m6	LB	XB	YB	ZB											
QVRG2	190	350	45	200	M30	-	100	210	28	106	M24	600	280	185	10	40	341	15	180	85	420	
QVRH2	200	350	45	210	M30	-	100	210	28	106	M24	600	280	185	10	40	413	15	180	85	420	
QVRJ2	220	350	50	231	M30	-	120	210	32	127	M24	600	280	185	10	40	Motorpomp - Moto-pompe Motorpumpe - Moto-bomba (4) Refer to us Nous consulter Rückfrage zweckmäßig Gelieve ons te raadplegen					
QVRK2	240	410	56	252	M30	-	120	210	32	127	M24	600	280	185	10	40						
QVRL2	260	410	56	272	3 x M24	140	140	250	36	148	M30	530	280	225	100	40						
QVRM2	280	470	63	292	3 x M24	140	140	250	36	148	M30	530	280	225	100	40						



mm

Gear unit	Réducteur à engrenages	Zahnradgetriebe	Tandwielkast	Q
Vertical L.S.S.	Arbre P.V. vertical	Langsamdr. Welle: vert.	Langz. dr. as: vertic.	V
Right-angle shafts	Arbres perpendiculaires	Kegel- und Stirnräder	Haakse assen	R
Size	Taille	Baugröße	Grootte	C ▶ H
Three stages	Trois étages	Dreistufig	Drietrap	3
For mixer drives	Pour mélangeurs	Für Mischerantriebe	Voor mengeraandrijvingen	

The user is responsible for the provision of **safety guards** and correct installation of all equipment.

Certified dimensions upon request.

Les dispositifs de protection doivent être prévus par l'utilisateur. Celui-ci est responsable de l'installation correcte de l'ensemble.

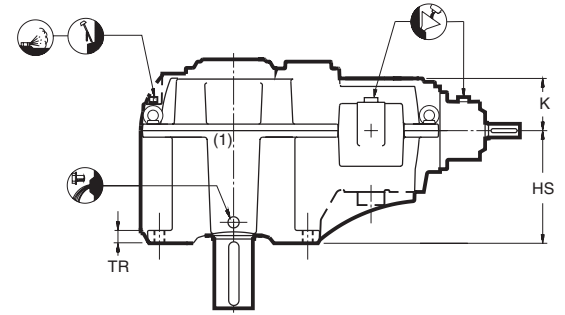
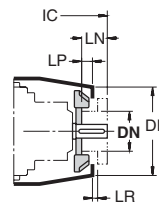
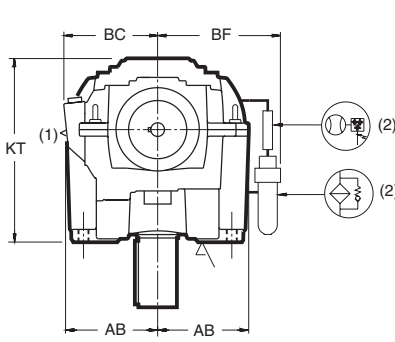
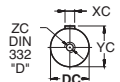
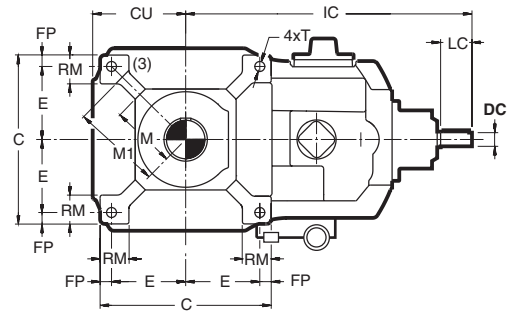
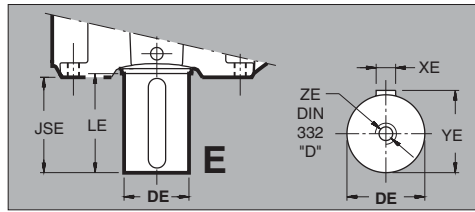
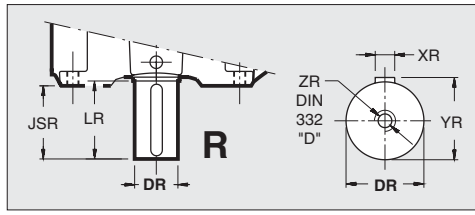
Dimensions définitives sur demande.

Der Benutzer ist verantwortlich für die Beistellung der **Schutzhauben** und das fachgemäße Aufstellen der gesamten Ausrüstung.

Verbindl. Abmessungen auf Wunsch.

De gebruiker is verantwoordelijk voor het voorzien van de **beschermkappen** en het vakkundig installeren van de volledige uitrusting.

Bindende afmetingen op verzoek.



(1) Grease lubrication point
(2) Standard for gear units sizes G and H
(3) Minimum mounting pad surface, see page C44

(1) Point de graissage
(2) Standard pour réducteurs tailles G et H
(3) Surface de fixation minimale aux pattes de fixation, voir page C44

(1) Fettschmierstelle
(2) Standardmäßig für Getriebegrößen G und H
(3) Mindestbefestigungsoberfläche an den Befestigungsfüßen, siehe Seite C44

(1) Vetsmeerpunt
(2) Standaard voor tandwielkasten grootte G en H
(3) Minimum bevestigingsoppervlak aan de bevestigingsvoeten, zie blz. C44

Type	AB	BC	BF	C	CU	E	FP	HS	IC	JSR	JSE	K	KT	M	M ₁ (3)	RM	T	TR	kg	Litres Liter
QVRC3	255	280	-	470	260	200	35	290	865	204	-	150	477	165	225	95	28	38	485	23
QVRD3	285	290	-	530	290	225	40	330	992	207	247	166	540	195	260	95	35	40	675	34
QVRE3	320	332	-	600	326	260	40	375	1074	245	245	183	612	225	310	105	35	45	975	49
QVRF3	365	372	-	690	370	295	50	430	1215	293	293	210	703	265	340	135	42	52	1260	70
QVRG3	450	455	490	860	455	375	55	430	1353	345	345	237	767	330	425	150	48	65	1850	105
QVRH3	450	455	490	860	455	375	55	430	1425	345	345	237	767	330	425	150	48	65	1950	115

Type	Shafts - Arbres - Wellen - Assen Keys - Clavettes - Paßfeder - Spieën ISO/R773-1969				Fan - Ventilateur - Lüfter - Ventilator					
	DC	LC	XC	YC	ZC	DF	DN max	LN	LP	LR min
QVRC3	35k6	150	10	38	M12	320	160	125	45	20
QVRD3	45k6	180	14	48,5	M16	320	160	155	45	20
QVRE3	50k6	180	14	53,5	M16	320	160	155	45	20
QVRF3	60m6	210	18	64	M20	410	210	185	70	30
QVRG3	65m6	210	18	69	M20	410	210	185	70	30
QVRH3	65m6	210	18	69	M20	410	210	185	70	30

Type	Shafts - Arbres - Wellen - Assen Keys - Clavettes - Paßfeder - Spieën DIN 6885-T1 "FormA"									
	Solid - Plein - Voll - Vol R					Solid - Plein - Voll - Vol E				
	DR-m6	LR	XR	YR	ZR	DE-m6	LE	XE	YE	ZE
QVRC3	110	210	28	116	M24	-	-	-	-	-
QVRD3	120	210	32	127	M24	140	250	36	148	M30
QVRE3	140	250	36	148	M30	150	250	36	158	M30
QVRF3	160	300	40	169	M30	180	300	45	190	M30
QVRG3	190	350	45	200	M30	220	350	50	231	M30
QVRH3	200	350	45	210	M30	220	350	50	231	M30

mm

Gear unit	Réducteur à engrenages	Zahnradgetriebe	Tandwielkast	Q
Vertical L.S.S.	Arbre P.V. vertical	Langsamdr. Welle: vert.	Langz. dr. as: vertic.	V
Right-angle shafts	Arbres perpendiculaires	Kegel- und Stirnräder	Haakse assen	R
Size	Taille	Baugröße	Grootte	C ▶ H
Three stages	Trois étages	Dreistufig	Drietrap	3
For mixer drives	Pour mélangeurs	Für Mischerantriebe	Voor mengeraandrijvingen	

The user is responsible for the provision of **safety guards** and correct installation of all equipment.

Certified dimensions upon request.

Les dispositifs de protection doivent être prévus par l'utilisateur. Celui-ci est responsable de l'installation correcte de l'ensemble.

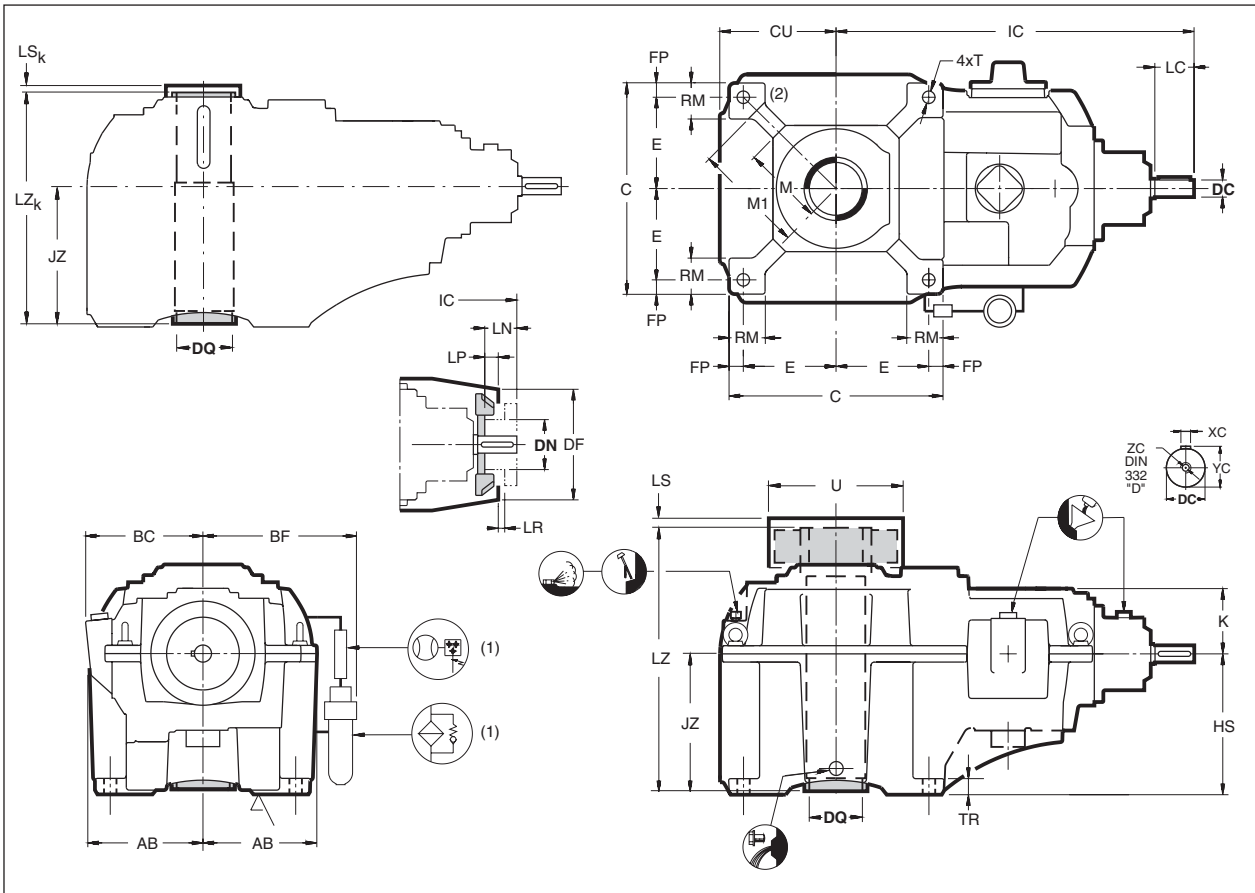
Dimensions définitives sur demande.

Der Benutzer ist verantwortlich für die Beistellung der **Schutzhauben** und das fachgemäße Aufstellen der gesamten Ausrüstung.

Verbindl. Abmessungen auf Wunsch.

De gebruiker is verantwoordelijk voor het voorzien van de **beschermkappen** en het vakkundig installeren van de volledige uitrusting.

Bindende afmetingen op verzoek.



(1) Standard for gear units sizes G and H
(2) Minimum mounting pad surface, see page C44

(1) Standard pour réducteurs tailles G et H
(2) Surface de fixation minimale aux pattes de fixation, voir page C44

(1) Standardmaß für Getriebegrößen G und H
(2) Mindestbefestigungsoberfläche an den Befestigungsfüßen, siehe Seite C44

(1) Standaard voor tandwielkasten grootte G en H
(2) Minimum bevestigingsoppervlak aan de bevestigingsvoeten, zie blz. C44

Type	AB	BC	BF	C	CU	E	FP	HS	IC	JZ	K	M	M1 (2)	RM	T	TR	kg	Litres Liter
QVRC3	255	280	-	470	260	200	35	290	865	284	150	165	225	95	28	38	485	23
QVRD3	285	290	-	530	290	225	40	330	992	322	166	195	260	95	35	40	675	34
QVRE3	320	332	-	600	326	260	40	375	1074	360	183	225	310	105	35	45	975	49
QVRF3	365	372	-	690	370	295	50	430	1215	408	210	265	340	135	42	52	1260	70
QVRG3	450	455	490	860	455	375	55	430	1353	405	237	330	425	150	48	65	1850	105
QVRH3	450	455	490	860	455	375	55	430	1425	410	237	330	425	150	48	65	1950	115

Type	Shafts - Arbres - Wellen - Assen Keys - Clavettes - Paßfeder - Spieën DIN 6885-T1 "FormA"											Fan - Ventilateur - Lüfter - Ventilator				
	Hollow - Creux - Hohl - Hol						DC	LC	XC	YC	ZC	DF	DN max	LN	LP	LR min
	DQ	LS	LS _k	LZ	LZ _k	U max										
QVRC3	115	30	40	577	493	250	35k6	150	10	38	M12	320	160	125	45	20
QVRD3	130	30	40	650	554	310	45k6	180	14	48,5	M16	320	160	155	45	20
QVRE3	150	30	40	738	620	340	50k6	180	14	53,5	M16	320	160	155	45	20
QVRF3	170	30	40	821	683	390	60m6	210	18	64	M20	410	210	185	70	30
QVRG3	190	30	50	886	744	425	65m6	210	18	69	M20	410	210	185	70	30
QVRH3	210	40	55	908	754	450	65m6	210	18	69	M20	410	210	185	70	30

Gear unit	Réducteur à engrenages	Zahnradgetriebe	Tandwielkast	Q
Vertical L.S.S.	Arbre P.V. vertical	Langsamdr. Welle: vert.	Langz. dr. as: vertic.	V
Right-angle shafts	Arbres perpendiculaires	Kegel- und Stirnräder	Haakse assen	R
Size	Taille	Baugröße	Grootte	J ▶ M
Three stages	Trois étages	Dreistufig	Drietraps	3
For mixer drives	Pour mélangeurs	Für Mischerantriebe	Voor mengeraandrijvingen	

mm

The user is responsible for the provision of **safety guards** and correct installation of all equipment.

Certified dimensions upon request.

Les dispositifs de protection doivent être prévus par l'utilisateur. Celui-ci est responsable de l'installation correcte de l'ensemble.

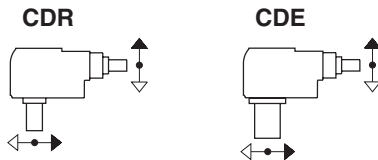
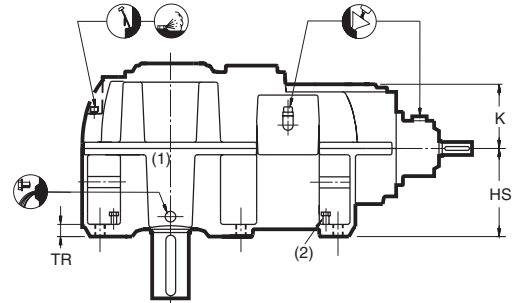
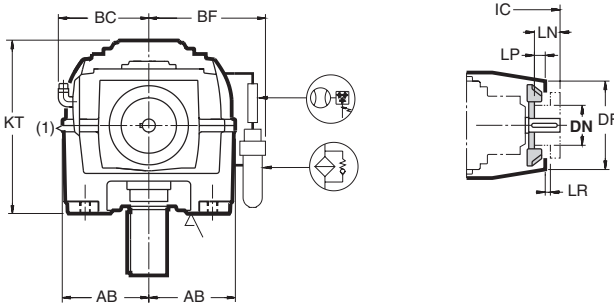
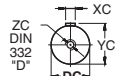
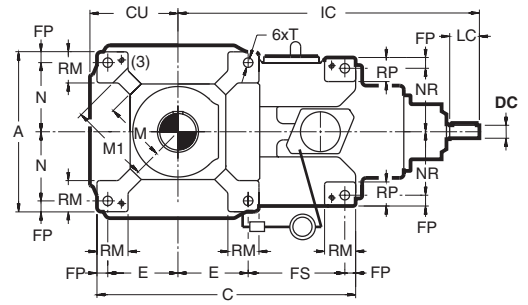
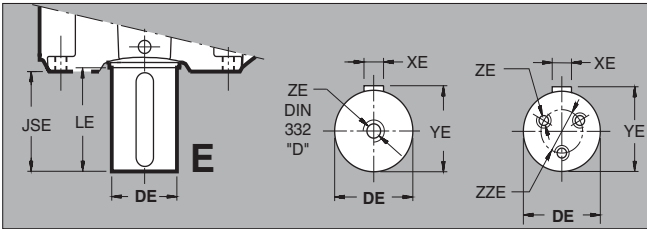
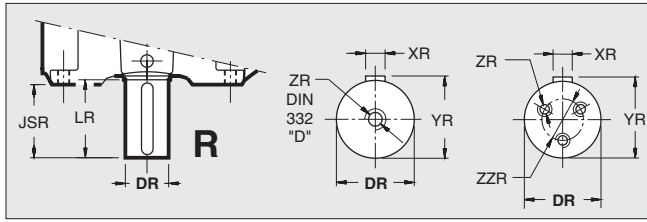
Dimensions définitives sur demande.

Der Benutzer ist verantwortlich für die Beistellung der **Schutzhauben** und das fachgemäße Aufstellen der gesamten Ausrüstung.

Verbindl. Abmessungen auf Wunsch.

De gebruiker is verantwoordelijk voor het voorzien van de **beschermkappen** en het vakkundig installeren van de volledige uitrusting.

Bindende afmetingen op verzoek.



Shaft arrangements
(front view)

Dispositions des arbres
(vue en élévation)

Wellenanordnungen
(Vorderansicht)

Asschikkingen
(vooraanzicht)

- (1) Grease lubrication point
- (2) 4x jacking screw
- (3) Minimum mounting pad surface, see page C44

Type	A	AB	BC	BF	C	CU	E	FP	FS	HS	IC	JSR	JSE	K	KT	M	M ₁ (3)	N	NR	RM	RP	T	TR	kg	Litres
QVRJ3	1010	525	555	635	1380	540	410	55	450	450	1536	342	402	269	864	390	500	450	385	160	140	48	70	3000	305
QVRK3	1010	525	555	635	1380	540	410	55	450	450	1614	402	402	269	864	390	500	450	385	160	140	48	70	3400	325
QVRL3	1240	640	665	750	1650	655	510	60	510	525	1748	400	460	330	1024	410	600	560	490	175	155	56	80	5200	520
QVRM3	1240	640	665	750	1650	655	510	60	510	525	1846	460	460	330	1024	410	600	560	490	175	155	56	80	5700	540

- (1) Point de graissage
- (2) 4x vis de réglage
- (3) Surface de fixation minimale aux pattes de fixation, voir page C44

Type	Shafts Keys	Arbres Clavettes	Wellen Paßfeder	Assen Spieën	ISO/R773-1969	Fan - Ventilateur - Lüfter - Ventilator				
	DC-m6	LC	XC	YC	ZC	DF	DN max	LN	LP	LR min
QVRJ3	75	210	20	79,5	M20	600	280	185	10	40
QVRK3	75	210	20	79,5	M20	600	280	185	10	40
QVRL3	100	210	28	106	M24	600	280	185	10	40
QVRM3	100	210	28	106	M24	600	280	185	10	40

- (1) Fettschmierstelle
- (2) 4x Einstellschraube
- (3) Mindestbefestigungsoberfläche an den Befestigungsfüßen, siehe Seite C44

Type	Shafts Keys		Arbres Clavettes		Wellen Paßfeder		Assen Spieën		DIN 6885-T1 "FormA"				
	Solid - Plein - Voll - Vol					R	Solid - Plein - Voll - Vol					E	
	DR-m6	LR	XR	YR	ZR	ZZR	DE-m6	LE	XE	YE	ZE	ZZE	
QVRJ3	220	350	50	231	M30	-	240	410	56	252	M30	-	
QVRK3	240	410	56	252	M30	-	260	410	56	272	3 x M24	140	
QVRL3	260	410	56	272	3 x M24	140	280	470	63	292	3 x M24	140	
QVRM3	280	470	63	292	3 x M24	140	300	470	70	314	3 x M24	140	

- (1) Vetsmeerpunt
- (2) 4x regelschroef
- (3) Minimum bevestigingsoppervlak aan de bevestigingsvoeten, zie blz. C44

Gear unit	Réducteur à engrenages	Zahnradgetriebe	Tandwielkast	Q
Vertical L.S.S.	Arbre P.V. vertical	Langsamdr. Welle: vert.	Langz. dr. as: vertic.	V
Right-angle shafts	Arbres perpendiculaires	Kegel- und Stirnräder	Haakse assen	R
Size	Taille	Baugröße	Grootte	J ▶ M
Three stages	Trois étages	Dreistufig	Drietrap	3
For mixer drives	Pour mélangeurs	Für Mischerantriebe	Voor mengeraandrijvingen	

mm

The user is responsible for the provision of **safety guards** and correct installation of all equipment.

Certified dimensions upon request.

Les dispositifs de protection doivent être prévus par l'utilisateur. Celui-ci est responsable de l'installation correcte de l'ensemble.

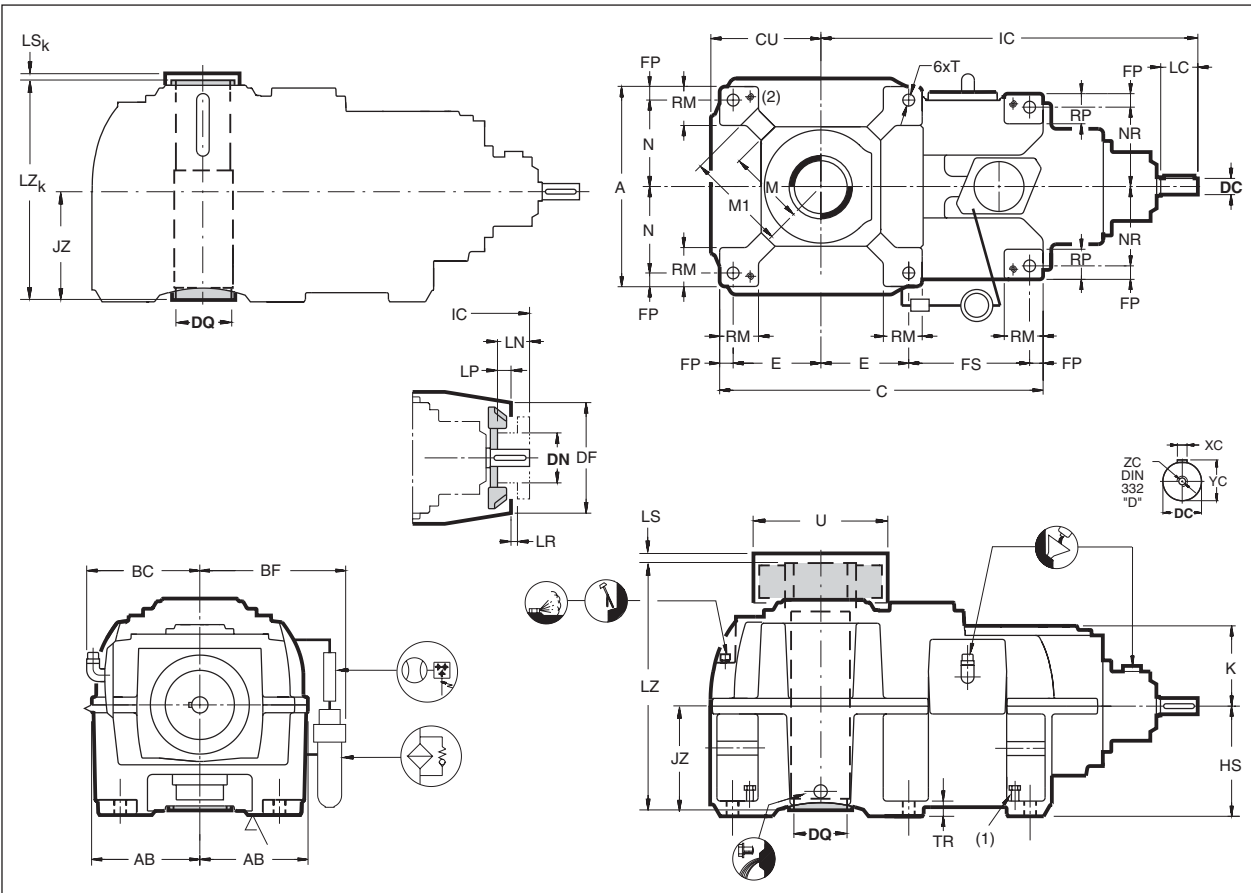
Dimensions définitives sur demande.

Der Benutzer ist verantwortlich für die Beistellung der **Schutzhauben** und das fachgemäße Aufstellen der gesamten Ausrüstung.

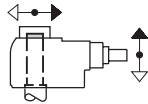
Verbindl. Abmessungen auf Wunsch.

De gebruiker is verantwoordelijk voor het voorzien van de **beschermkappen** en het vakkundig installeren van de volledige uitrusting.

Bindende afmetingen op verzoek.

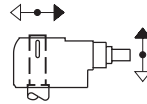


CDD



Shaft arrangements
(front view)

CDK



Dispositions des arbres Wellenanordnungen
(vue en élévation) (Vorderansicht)

Asschikkingen
(vooraanzicht)

(1) 4x jacking screw
(2) Minimum mounting pad surface, see page C44

(1) 4x vis de réglage
(2) Surface de fixation minimale aux pattes de fixation, voir page C44

(1) 4x Einstellschraube
(2) Mindestbefestigungsoberfläche an den Befestigungsfüßen, siehe Seite C44

(1) 4x regelschroef
(2) Minimum bevestigingsoppervlak aan de bevestigingsvoeten, zie blz. C44

Type	A	AB	BC	BF	C	CU	E	FP	FS	HS	IC	JZ	K	M	M ₁ (2)	N	NR	RM	RP	T	TR	kg	Litres Liter
QVRJ3	1010	525	555	635	1380	540	410	55	450	450	1536	427	269	390	500	450	385	160	140	48	70	3000	305
QVRK3	1010	525	555	635	1380	540	410	55	450	450	1614	427	269	390	500	450	385	160	140	48	70	3400	325
QVRL3	1240	640	665	750	1650	655	510	60	510	525	1748	505	330	410	600	560	490	175	155	56	80	5200	520
QVRM3	1240	640	665	750	1650	655	510	60	510	525	1846	505	330	410	600	560	490	175	155	56	80	5700	540

Type	Shafts Keys		Arbres Clavettes		Wellen Paßfeder		Assen Spieën		DIN 6885-T1 "FormA"				Fan - Ventilateur - Lüfter - Ventilator					
	Hollow - Creux - Hohl - Hol								DC-m6	LC	XC	YC	ZC	DF	DN max	LN	LP	LR min
	DQ	LS	LS _k	LZ	LZ _k	U max												
QVRJ3	230	40	55	1014	847	480	75	210	20	79,5	M20	600	280	185	10	40		
QVRK3	260	40	55	1024	847	540	75	210	20	79,5	M20	600	280	185	10	40		
QVRL3	280	40	65	1181	989	595	100	210	28	106	M24	600	280	185	10	40		
QVRM3	300	40	65	1188	989	615	100	210	28	106	M24	600	280	185	10	40		

mm

Gear unit	Réducteur à engrenages	Zahnradgetriebe	Tandwielkast	Q
Vertical L.S.S.	Arbre P.V. vertical	Langsamdr. Welle: vert.	Langz. dr. as: vertic.	V
Right-angle shafts	Arbres perpendiculaires	Kegel- und Stirnräder	Haakse assen	R
Size	Taille	Baugröße	Grootte	D ▶ H
Four stages	Quatre étages	Vierstufig	Viertraps	4
For mixer drives	Pour mélangeurs	Für Mischerantriebe	Voor mengeraandrijvingen	

The user is responsible for the provision of **safety guards** and correct installation of all equipment.

Certified dimensions upon request.

Les dispositifs de protection doivent être prévus par l'utilisateur. Celui-ci est responsable de l'installation correcte de l'ensemble.

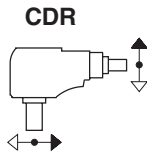
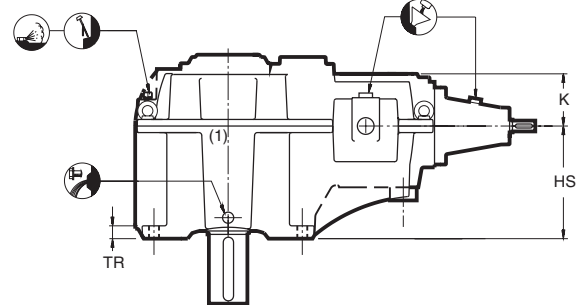
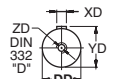
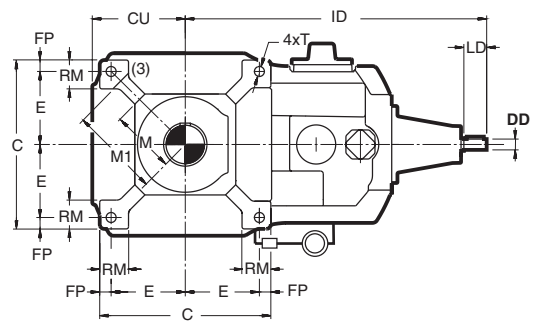
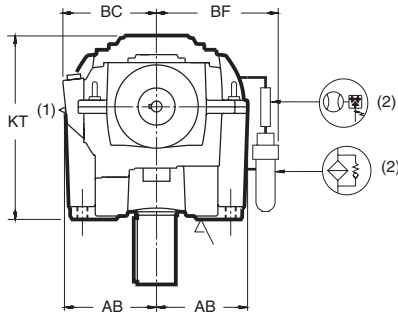
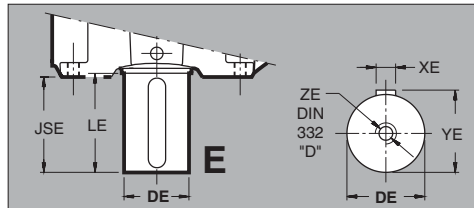
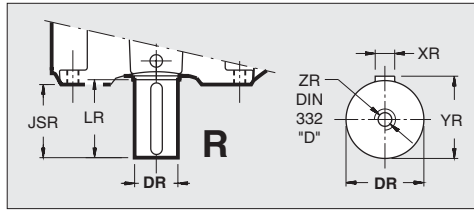
Dimensions définitives sur demande.

Der Benutzer ist verantwortlich für die Beistellung der **Schutzhauben** und das fachgemäße Aufstellen der gesamten Ausrüstung.

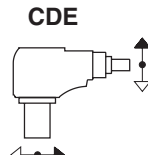
Verbindl. Abmessungen auf Wunsch.

De gebruiker is verantwoordelijk voor het voorzien van de **beschermkappen** en het vakkundig installeren van de volledige uitrusting.

Bindende afmetingen op verzoek.



Shaft arrangements
(front view)



Dispositions des arbres
(vue en élévation)

Wellenanordnungen
(Vorderansicht)

Asschikkingen
(vooraanzicht)

- (1) Grease lubrication point
- (2) Standard for gear units sizes G and H
- (3) Minimum mounting pad surface, see page C44

- (1) Point de graissage
- (2) Standard pour réducteurs tailles G et H
- (3) Surface de fixation minimale aux pattes de fixation, voir page C44

- (1) Fettschmierstelle
- (2) Standardmäßig für Getriebegrößen G und H
- (3) Mindestbefestigungsoberfläche an den Befestigungsfüßen, siehe Seite C44

- (1) Vetsmeerpunt
- (2) Standaard voor tandwielkasten grootte G en H
- (3) Minimum bevestigingsoppervlak aan de bevestigingsvoeten, zie blz. C44

Type	AB	BC	BF	C	CU	E	FP	HS	ID	JSR	JSE	K	KT	M	M ₁ (3)	RM	T	TR	kg	Litres Liter
QVRD4	285	290	-	530	290	225	40	330	1043	207	247	166	540	195	260	95	35	40	590	33
QVRE4	320	332	-	600	326	260	40	375	1127	245	245	183	612	225	310	105	35	45	900	46
QVRF4	365	372	-	690	370	295	50	430	1291	293	293	210	703	265	340	135	42	52	1280	75
QVRG4	450	455	490	860	455	375	55	430	1415	345	345	237	767	330	425	150	48	65	1880	105
QVRH4	450	455	490	860	455	375	55	430	1487	345	345	237	767	330	425	150	48	65	1980	115

Type	Shafts Keys - Arbres Clavettes - Wellen Paßfeder - Assen Spiëen ISO/R773-1969				
	DD-k6	LD	XD	YD	ZD
QVRD4	35	150	10	38	M12
QVRE4	35	150	10	38	M12
QVRF4	45	180	14	48,5	M16
QVRG4	50	180	14	53,5	M16
QVRH4	50	180	14	53,5	M16

Type	Shafts Keys - Arbres Clavettes - Wellen Paßfeder - Assen Spiëen DIN 6885-T1 "FormA"									
	Solid - Plein - Voll - Vol R					Solid - Plein - Voll - Vol E				
	DR-m6	LR	XR	YR	ZR	DE-m6	LE	XE	YE	ZE
QVRD4	120	210	32	127	M24	140	250	36	148	M30
QVRE4	140	250	36	148	M30	150	250	36	158	M30
QVRF4	160	300	40	169	M30	180	300	45	190	M30
QVRG4	190	350	45	200	M30	220	350	50	231	M30
QVRH4	200	350	45	210	M30	220	350	50	231	M30

Gear unit	Réducteur à engrenages	Zahnradgetriebe	Tandwielkast	Q
Vertical L.S.S.	Arbre P.V. vertical	Langsamdr. Welle: vert.	Langz. dr. as: vertic.	V
Right-angle shafts	Arbres perpendiculaires	Kegel- und Stirnräder	Haakse assen	R
Size	Taille	Baugröße	Grootte	D ▶ H
Four stages	Quatre étages	Vierstufig	Viertraps	4
For mixer drives	Pour mélangeurs	Für Mischerantriebe	Voor mengeraandrijvingen	

mm

The user is responsible for the provision of **safety guards** and correct installation of all equipment.

Certified dimensions upon request.

Les dispositifs de protection doivent être prévus par l'utilisateur. Celui-ci est responsable de l'installation correcte de l'ensemble.

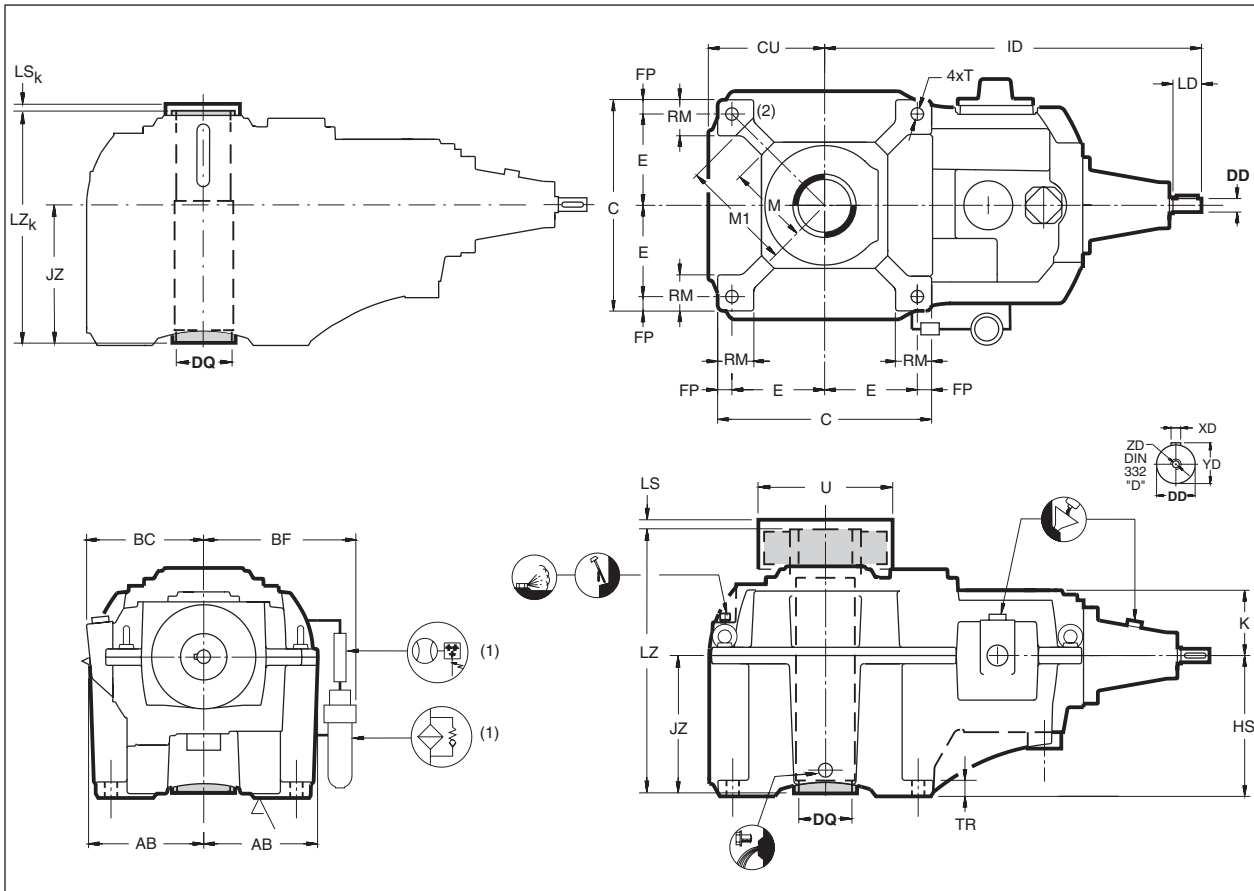
Dimensions définitives sur demande.

Der Benutzer ist verantwortlich für die Beistellung der **Schutzhauben** und das fachgemäße Aufstellen der gesamten Ausrüstung.

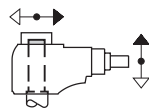
Verbindl. Abmessungen auf Wunsch.

De gebruiker is verantwoordelijk voor het voorzien van de **beschermkappen** en het vakkundig installeren van de volledige uitrusting.

Bindende afmetingen op verzoek.

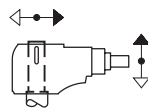


CDD



Shaft arrangements
(front view)

CDK



Dispositions des arbres **Wellenanordnungen** **Asschikkingen**
(vue en élévation) (Vorderansicht) (vooraanzicht)

(1) Standard for gear units sizes G and H
(2) Minimum mounting pad surface, see page C44

(1) Standard pour réducteurs tailles G et H
(2) Surface de fixation minimale aux pattes de fixation, voir page C44

(1) Standardmäßig für Getriebegrößen G und H
(2) Mindestbefestigungsoberfläche an den Befestigungsfüßen, siehe Seite C44

(1) Standaard voor tandwielkasten grootte G en H
(2) Minimum bevestigingsoppervlak aan de bevestigingsvoeten, zie blz. C44

Type	AB	BC	BF	C	CU	E	FP	HS	ID	JZ	K	M	M ₁ (2)	RM	T	TR	kg	Litres Liter
QVRD4	285	290	-	530	290	225	40	330	1043	322	166	195	260	95	35	40	590	33
QVRE4	320	332	-	600	326	260	40	375	1127	360	183	225	310	105	35	45	900	46
QVRF4	365	372	-	690	370	295	50	430	1291	408	210	265	340	135	42	52	1280	75
QVRG4	450	455	490	860	455	375	55	430	1415	405	237	330	425	150	48	65	1880	105
QVRH4	450	455	490	860	455	375	55	430	1487	410	237	330	425	150	48	65	1980	115

Type	Shafts Keys		Arbres Clavettes		Wellen Paßfeder		Assen Spieën		DIN 6885-T1 "FormA"				
	DQ	LS	LSk	LZ	LZk	U max	DD-k6	LD	XD	YD	ZD		
QVRD4	130	30	40	650	554	310	35	150	10	38	M12		
QVRE4	150	30	40	738	620	340	35	150	10	38	M12		
QVRF4	170	30	40	821	683	390	45	180	14	48,5	M16		
QVRG4	190	30	50	886	744	425	50	180	14	53,5	M16		
QVRH4	210	40	55	908	754	450	50	180	14	53,5	M16		

mm

Gear unit	Réducteur à engrenages	Zahnradgetriebe	Tandwielkast	Q
Vertical L.S.S.	Arbre P.V. vertical	Langsamdr. Welle: vert.	Langz. dr. as: vertic.	V
Right-angle shafts	Arbres perpendiculaires	Kegel- und Stirnräder	Haakse assen	R
Size	Taille	Baugröße	Grootte	J ▶ M
Four stages	Quatre étages	Vierstufig	Viertraps	4
For mixer drives	Pour mélangeurs	Für Mischerantriebe	Voor mengeraandrijvingen	

The user is responsible for the provision of **safety guards** and correct installation of all equipment.

Certified dimensions upon request.

Les dispositifs de protection doivent être prévus par l'utilisateur. Celui-ci est responsable de l'installation correcte de l'ensemble.

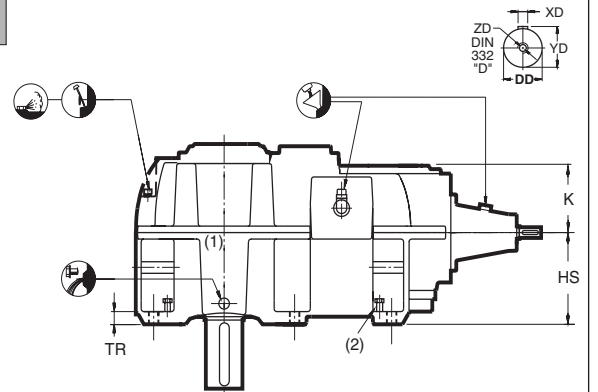
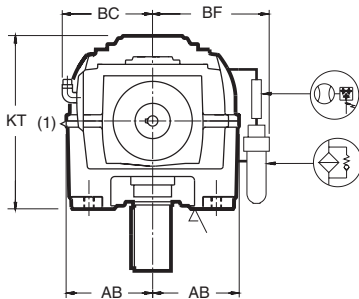
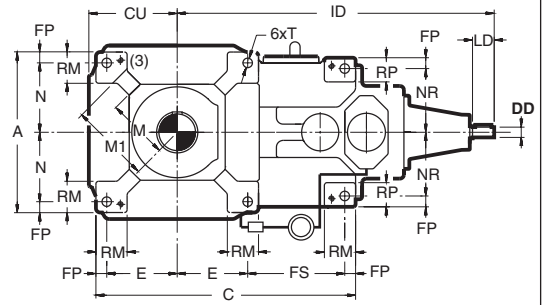
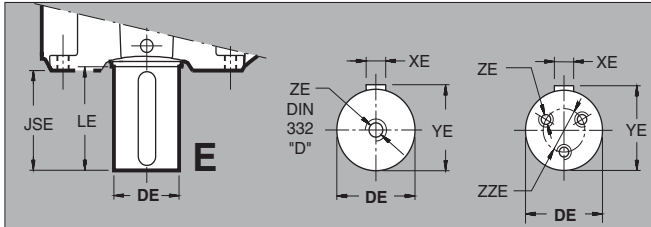
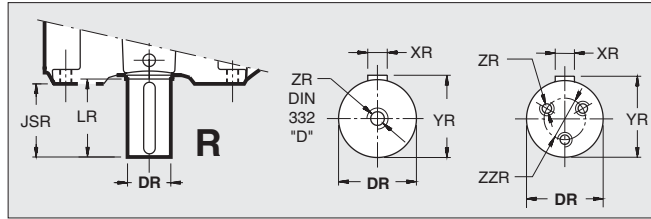
Dimensions définitives sur demande.

Der Benutzer ist verantwortlich für die Beistellung der **Schutzhauben** und das fachgemäße Aufstellen der gesamten Ausrüstung.

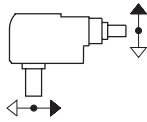
Verbindl. Abmessungen auf Wunsch.

De gebruiker is verantwoordelijk voor het voorzien van de **beschermkappen** en het vakkundig installeren van de volledige uitrusting.

Bindende afmetingen op verzoek.

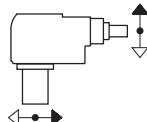


CDR



Shaft arrangements
(front view)

CDE



Dispositions des arbres
(vue en élévation)

Wellenanordnungen
(Vorderansicht)

Asschikkingen
(vooraanzicht)

- (1) Grease lubrication point
- (2) 4x jacking screw
- (3) Minimum mounting pad surface, see page C44

- (1) Point de graissage
- (2) 4x vis de réglage
- (3) Surface de fixation minimale aux pattes de fixation, voir page C44

- (1) Fettschmierstelle
- (2) 4x Einstellschraube
- (3) Mindestbefestigungsoberfläche an den Befestigungsfüßen, siehe Seite C44

- (1) Vetsmeerpunt
- (2) 4x regelschroef
- (3) Minimum bevestigingsoppervlak aan de bevestigingsvoeten, zie blz. C44

Type	A	AB	BC	BF	C	CU	E	FP	FS	HS	ID	JSR	JSE	K	KT	M	M ₁ (3)	N	NR	RM	RP	T	TR	kg	Litres Liter
QVRJ4	1010	525	555	635	1380	540	410	55	450	450	1632	342	402	269	864	390	500	450	385	160	140	48	70	3100	305
QVRK4	1010	525	555	635	1380	540	410	55	450	450	1710	402	402	269	864	390	500	450	385	160	140	48	70	3500	325
QVRL4	1240	640	665	750	1650	655	510	60	510	525	1860	400	460	307	1024	410	600	560	490	175	155	56	80	5300	520
QVRM4	1240	640	665	750	1650	655	510	60	510	525	1958	460	460	307	1024	410	600	560	490	175	155	56	80	5800	540

Type	Shafts Keys		Arbres Clavettes		Wellen Paßfeder		Assen Spieën		ISO/R773-1969				
	DD-m6		LD		XD		YD		ZD				
QVRJ4	60		210		18		64		M20				
QVRK4	60		210		18		64		M20				
QVRL4	65		210		18		69		M20				
QVRM4	65		210		18		69		M20				

Type	Shafts Keys		Arbres Clavettes		Wellen Paßfeder		Assen Spieën		DIN 6885-T1 "FormA"					
	Solid - Plein - Voll - Vol R						Solid - Plein - Voll - Vol E							
	DR-m6	LR	XR	YR	ZR	ZZR	DE-m6	LE	XE	YE	ZE	ZZE		
QVRJ4	220	350	50	231	M30	-	240	410	56	252	M30	-		
QVRK4	240	410	56	252	M30	-	260	410	56	272	3 x M24	140		
QVRL4	260	410	56	272	3 x M24	140	280	470	63	292	3 x M24	140		
QVRM4	280	470	63	292	3 x M24	140	300	470	70	314	3 x M24	140		

Gear unit	Réducteur à engrenages	Zahnradgetriebe	Tandwielkast	Q
Vertical L.S.S.	Arbre P.V. vertical	Langsamdr. Welle: vert.	Langz. dr. as: vertic.	V
Right-angle shafts	Arbres perpendiculaires	Kegel- und Stirnräder	Haakse assen	R
Size	Taille	Baugröße	Grootte	D > H
Three stages	Trois étages	Dreistufig	Drietrap	3

mm

With extended bearing housing	Avec boîtier de palier allongé	Mit verlängertem Lagergehäuse	Met verlengd lagerhuis	..L
--------------------------------------	---------------------------------------	--------------------------------------	-------------------------------	------------

For mixer drives

Pour mélangeurs

Für Mischerantriebe

Voor mengeraandrijvingen

The user is responsible for the provision of **safety guards** and correct installation of all equipment.

Certified dimensions upon request.

Les dispositifs de protection doivent être prévus par l'utilisateur. Celui-ci est responsable de l'installation correcte de l'ensemble.

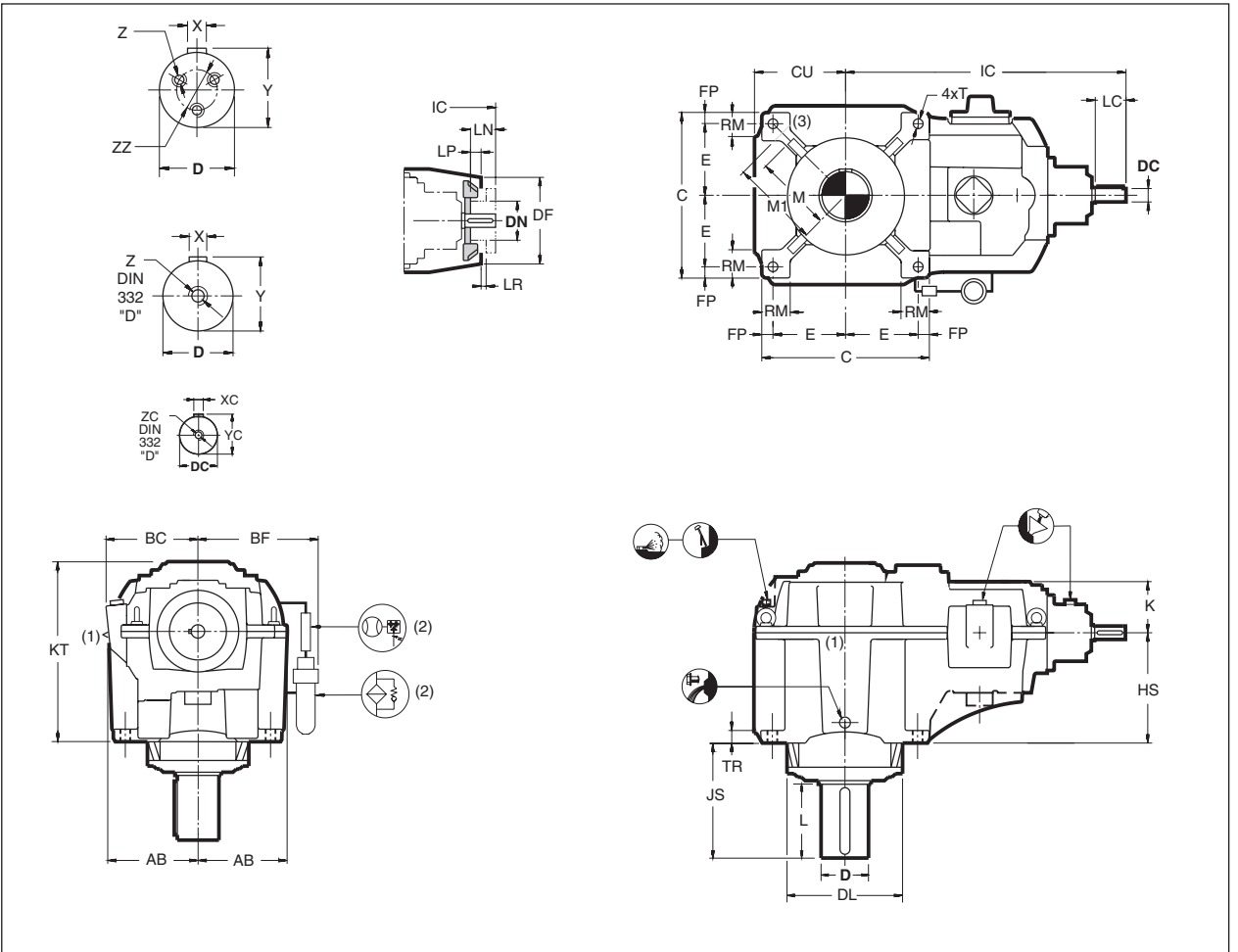
Dimensions définitives sur demande.

Der Benutzer ist verantwortlich für die Beistellung der **Schutzhauben** und das fachgemäße Aufstellen der gesamten Ausrüstung.

Verbindl. Abmessungen auf Wunsch.

De gebruiker is verantwoordelijk voor het voorzien van de **beschermkappen** en het vakkundig installeren van de volledige uitrusting.

Bindende afmetingen op verzoek.



- (1) Grease lubrication point
- (2) Standard for gear units sizes G and H
- (3) Minimum mounting pad surface, see page C44

- (1) Point de graissage
- (2) Standard pour réducteurs tailles G et H
- (3) Surface de fixation minimale aux pattes de fixation, voir page C44

- (1) Fettschmierstelle
- (2) Standardmatig für Getriebegrößen G und H
- (3) Mindestbefestigungsfläche an den Befestigungsfüßen, siehe Seite C44

- (1) Vetsmeerpunt
- (2) Standaard voor tandwielkasten grote G en H
- (3) Minimum bevestigingsoppervlak aan de bevestigingsvoeten, zie blz. C44



Type	AB	BC	BF	C	CU	DL	E	FP	HS	IC	JS	K	KT	M	M ₁ (3)	RM	T	TR	kg	Litres Liter
QVRD3	285	290	-	530	290	360	225	40	330	992	490	166	540	-	260	95	35	40	855	34
QVRE3	320	332	-	600	326	410	260	40	375	1074	565	183	612	-	310	105	35	45	1235	49
QVRF3	365	372	-	690	370	480	295	50	430	1215	570	210	703	-	340	135	42	52	1620	70
QVRG3	450	455	490	860	455	570	375	55	430	1353	675	237	767	390	425	150	48	65	2440	105
QVRH3	450	455	490	860	455	570	375	55	430	1425	675	237	767	390	425	150	48	65	2550	115

Type	Shafts - Arbres - Wellen - Assen Keys - Clavettes - Paßfeder - Spiëen DIN 6885-T1 "FormA"										Fan - Ventilateur - Lüfter - Ventilator					
	D-m6	L	X	Y	Z	ZZ	DC	LC	XC	YC	ZC	DF	DN max	LN	LP	LR min
QVRD3	170	300	40	179	M30	-	45k6	180	14	48,5	M16	320	160	155	45	20
QVRE3	190	350	45	200	M30	-	50k6	180	14	53,5	M16	320	160	155	45	20
QVRF3	220	350	50	231	M30	-	60m6	210	18	64	M20	410	210	185	70	30
QVRG3	240	410	56	252	3 x M24	140	65m6	210	18	69	M20	410	210	185	70	30
QVRH3	260	410	56	272	3 x M24	140	65m6	210	18	69	M20	410	210	185	70	30

mm

Gear unit	Réducteur à engrenages	Zahnradgetriebe	Tandwielkast	Q
Vertical L.S.S.	Arbre P.V. vertical	Langsamdr. Welle: vert.	Langz. dr. as: vertic.	V
Right-angle shafts	Arbres perpendiculaires	Kegel- und Stirnräder	Haakse assen	R
Size	Taille	Baugröße	Grootte	J ▶ M
Three stages	Trois étages	Dreistufig	Drietrap	3

With extended bearing housing	Avec boîtier de palier allongé	Mit verlängertem Lagergehäuse	Met verlengd lagerhuis	..L
--------------------------------------	---------------------------------------	--------------------------------------	-------------------------------	------------

For mixer drives **Pour mélangeurs** **Für Mischerantriebe** **Voor mengeraandrijvingen**

The user is responsible for the provision of **safety guards** and correct installation of all equipment.

Certified dimensions upon request.

Les dispositifs de protection doivent être prévus par l'utilisateur. Celui-ci est responsable de l'installation correcte de l'ensemble.

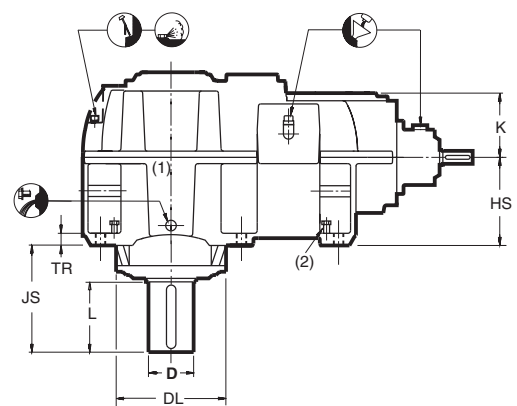
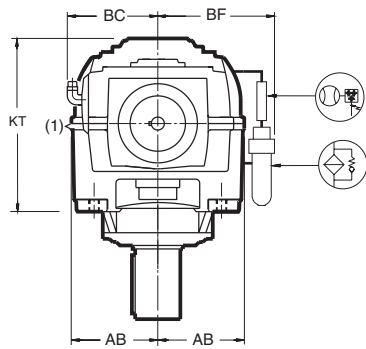
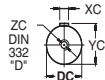
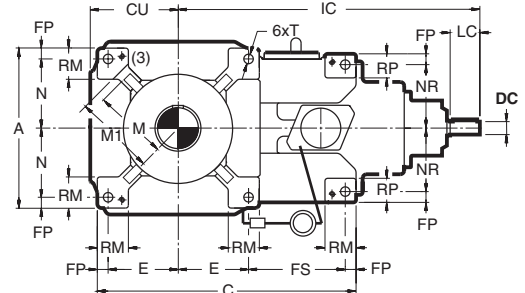
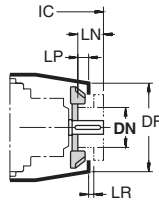
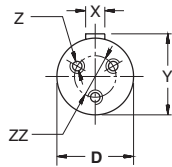
Dimensions définitives sur demande.

Der Benutzer ist verantwortlich für die Beistellung der **Schutzhauben** und das fachgemäße Aufstellen der gesamten Ausrüstung.

Verbindl. Abmessungen auf Wunsch.

De gebruiker is verantwoordelijk voor het voorzien van de **beschermkappen** en het vakkundig installeren van de volledige uitrusting.

Bindende afmetingen op verzoek.



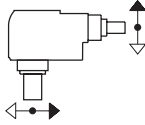
- (1) Grease lubrication point
- (2) 4x jacking screw
- (3) Minimum mounting pad surface, see page C44

- (1) Point de graissage
- (2) 4x vis de réglage
- (3) Surface de fixation minimale aux pattes de fixation, voir page C44

- (1) Fettsmierstelle
- (2) 4x regelschroef
- (3) Mindestdbevestigingsoppervlakte aan den bevestigingsvoeten, siehe Seite C44

- (1) Vetsmeerpunt
- (2) 4x regelschroef
- (3) Minimum bevestigingsoppervlak aan de bevestigingsvoeten, zie blz. C44

CDL



Shaft arrangements
(front view)

Dispositions des arbres
(vue en élévation)

Wellenanordnungen
(Vorderansicht)

Asschikkingen
(vooraanzicht)

Type	A	AB	BC	BF	C	CU	DL	E	FP	FS	HS	IC	JS	K	KT	M	M ₁ (3)	N	NR	RM	RP	T	TR	kg	Litres Liter
QVRJ3	1010	525	555	635	1380	540	650	410	55	450	450	1536	765	269	864	450	500	450	385	160	140	48	70	3860	305
QVRK3	1010	525	555	635	1380	540	650	410	55	450	450	1614	765	269	864	450	500	450	385	160	140	48	70	4260	325
QVRL3	1240	640	665	750	1650	655	750	510	60	510	525	1748	805	330	1024	505	600	560	490	175	155	56	80	6330	520
QVRM3	1240	640	665	750	1650	655	750	510	60	510	525	1846	845	330	1024	505	600	560	490	175	155	56	80	6850	540

Type	Shafts Keys	Arbres Clavettes		Wellen Paßfeder		Assen Spieën				DIN 6885-T1 "FormA"				Fan - Ventilateur - Lüfter - Ventilator				
	D-m6	L	X	Y	Z	ZZ	DC-m6	LC	XC	YC	ZC	DF	DN max	LN	LP	LRmin		
QVRJ3	280	470	63	292	3 x M24	140	75	210	20	79,5	M20	600	280	185	10	40		
QVRK3	300	470	70	314	3 x M24	140	75	210	20	79,5	M20	600	280	185	10	40		
QVRL3	320	510	70	334	3 x M24	140	100	210	28	106	M24	600	280	185	10	40		
QVRM3	340	550	80	355	3 x M24	250	100	210	28	106	M24	600	280	185	10	40		

mm

Gear unit	Réducteur à engrenages	Zahnradgetriebe	Tandwielkast	Q
Vertical L.S.S.	Arbre P.V. vertical	Langsamdr. Welle: vert.	Langz. dr. as: vertic.	V
Right-angle shafts	Arbres perpendiculaires	Kegel- und Stirnräder	Haakse assen	R
Size	Taille	Baugröße	Grootte	D ▶ H
Four stages	Quatre étages	Vierstufig	Viertraps	4
With extended bearing housing	Avec boîtier de palier allongé	Mit verlängertem Lagergehäuse	Met verlengd lagerhuis	..L

For mixer drives **Pour mélangeurs** **Für Mischerantriebe** **Voor mengeraandrijvingen**

The user is responsible for the provision of **safety guards** and correct installation of all equipment.

Certified dimensions upon request.

Les dispositifs de protection doivent être prévus par l'utilisateur. Celui-ci est responsable de l'installation correcte de l'ensemble.

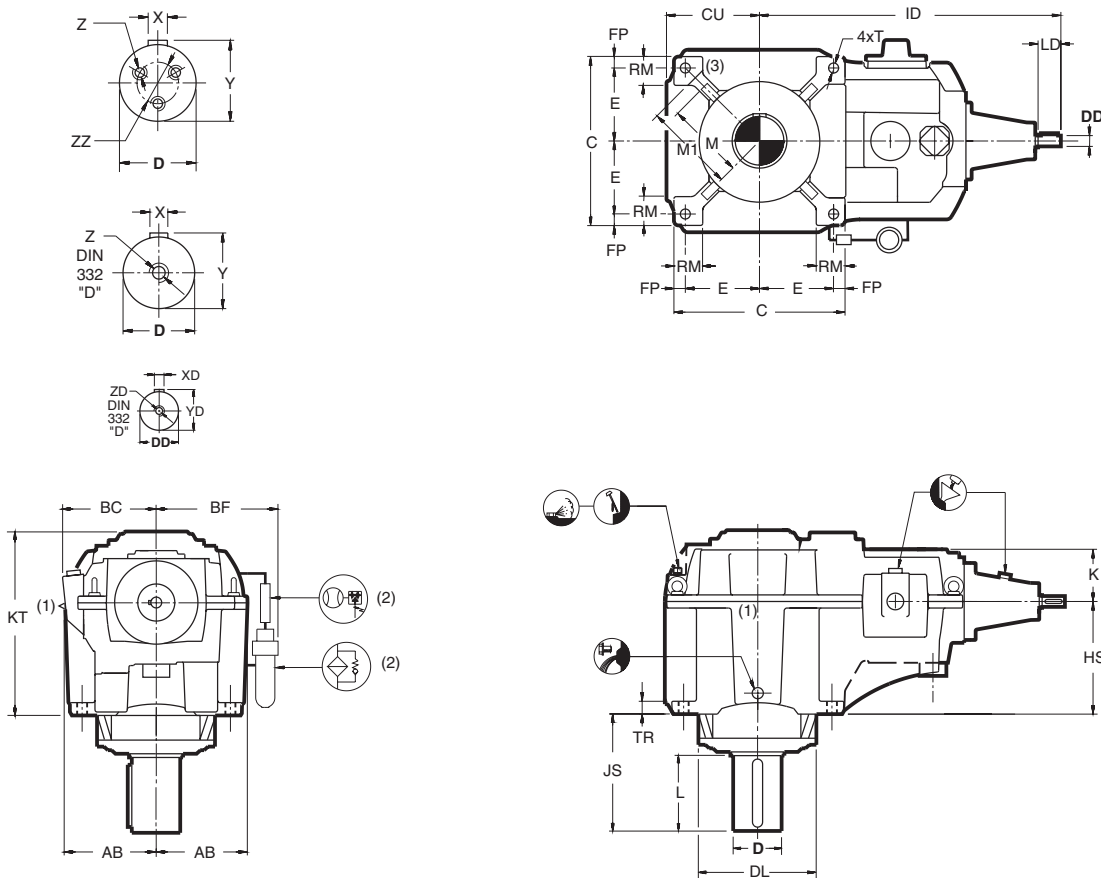
Dimensions définitives sur demande.

Der Benutzer ist verantwortlich für die Beistellung der **Schutzhauben** und das fachgemäÙe Aufstellen der gesamten Ausrüstung.

Verbindl. Abmessungen auf Wunsch.

De gebruiker is verantwoordelijk voor het voorzien van de **beschermkappen** en het vakkundig installeren van de volledige uitrusting.

Bindende afmetingen op verzoek.



(1) Grease lubrication point
(2) Standard for gear units sizes G and H
(3) Minimum mounting pad surface, see page C44

(1) Point de graissage
(2) Standard pour réducteurs tailles G et H
(3) Surface de fixation minimale aux pattes de fixation, voir page C44

(1) Fettschmierstelle
(2) Standardmäßig für Getriebegrößen G und H
(3) Mindestbefestigungsfläche an den BefestigungsfüÙen, siehe Seite C44

(1) Vetsmeerpunt
(2) Standaard voor tandwielkasten grootte G en H
(3) Minimum bevestigingsoppervlak aan de bevestigingsvoeten, zie blz. C44



Type	AB	BC	BF	C	CU	DL	E	FP	HS	ID	JS	K	KT	M	M ₁ (3)	RM	T	TR	kg	Litres Liter
QVRD4	285	290	-	530	290	360	225	40	330	1043	490	166	540	-	260	95	35	40	770	33
QVRE4	320	332	-	600	326	410	260	40	375	1127	565	183	612	-	310	105	35	45	1160	46
QVRF4	365	372	-	690	370	480	295	50	430	1291	570	210	703	-	340	135	42	52	1640	75
QVRG4	450	455	490	860	455	570	375	55	430	1415	675	237	767	390	425	150	48	65	2470	105
QVRH4	450	455	490	860	455	570	375	55	430	1487	675	237	767	390	425	150	48	65	2580	115

Type	Shafts Keys		Arbres Clavettes		Wellen PaÙfeder		Assen SpieÙen		DIN 6885-T1 "FormA"			
	D-m6	L	X	Y	Z	ZZ	DD-k6	LD	XD	YD	ZD	
QVRD4	170	300	40	179	M30	-	35	150	10	38	M12	
QVRE4	190	350	45	200	M30	-	35	150	10	38	M12	
QVRF4	220	350	50	231	M30	-	45	180	14	48,5	M16	
QVRG4	240	410	56	252	3 x M24	140	50	180	14	53,5	M16	
QVRH4	260	410	56	272	3 x M24	140	50	180	14	53,5	M16	

mm

Gear unit	Réducteur à engrenages	Zahnradgetriebe	Tandwielkast	Q
Vertical L.S.S.	Arbre P.V. vertical	Langsamdr. Welle: vert.	Langz. dr. as: vertic.	V
Right-angle shafts	Arbres perpendiculaires	Kegel- und Stirnräder	Haakse assen	R
Size	Taille	Baugröße	Grootte	J ▶ M
Four stages	Quatre étages	Vierstufig	Viertraps	4

With extended bearing housing	Avec boîtier de palier allongé	Mit verlängertem Lagergehäuse	Met verlengd lagerhuis	..L
--------------------------------------	---------------------------------------	--------------------------------------	-------------------------------	------------

For mixer drives **Pour mélangeurs** **Für Mischerantriebe** **Voor mengeraandrijvingen**

The user is responsible for the provision of **safety guards** and correct installation of all equipment.

Certified dimensions upon request.

Les dispositifs de protection doivent être prévus par l'utilisateur. Celui-ci est responsable de l'installation correcte de l'ensemble.

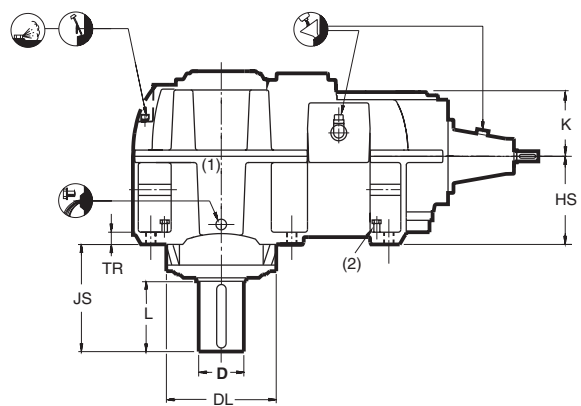
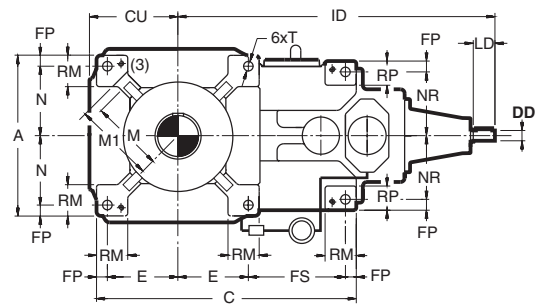
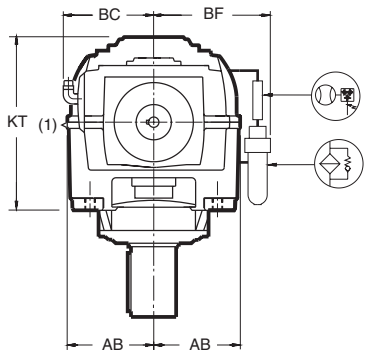
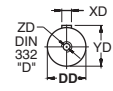
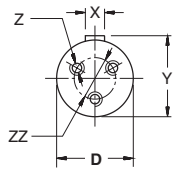
Dimensions définitives sur demande.

Der Benutzer ist verantwortlich für die Beistellung der **Schutzhauben** und das fachgemäße Aufstellen der gesamten Ausrüstung.

Verbindl. Abmessungen auf Wunsch.

De gebruiker is verantwoordelijk voor het voorzien van de **beschermkappen** en het vakkundig installeren van de volledige uitrusting.

Bindende afmetingen op verzoek.



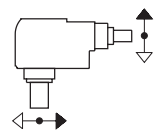
- (1) Grease lubrication point
- (2) 4x jacking screw
- (3) Minimum mounting pad surface, see page C44

- (1) Point de graissage
- (2) 4x vis de réglage
- (3) Surface de fixation minimale aux pattes de fixation, voir page C44

- (1) Fettschmierstelle
- (2) 4x Einstellschraube
- (3) Mindestbefestigungsoberfläche an den Befestigungsfüßen, siehe Seite C44

- (1) Vetsmeerpunt
- (2) 4x regelschroef
- (3) Minimum bevestigingsoppervlak aan de bevestigingsvoeten, zie blz. C44

CDL



Shaft arrangements
(front view)

Dispositions des arbres
(vue en élévation)

Wellenanordnungen
(Vorderansicht)

Asschikkingen
(vooraanzicht)

Type	A	AB	BC	BF	C	CU	DL	E	FP	FS	HS	ID	JS	K	KT	M	M ₁ (3)	N	NR	RM	RP	T	TR	kg	Litres Liter
QVRJ4	1010	525	555	635	1380	540	650	410	55	450	450	1632	765	269	864	450	500	450	385	160	140	48	70	3960	305
QVRK4	1010	525	555	635	1380	540	650	410	55	450	450	1710	765	269	864	450	500	450	385	160	140	48	70	4360	325
QVRL4	1240	640	665	750	1650	655	750	510	60	510	525	1860	805	307	1024	505	600	560	490	175	155	56	80	6430	520
QVRM4	1240	640	665	750	1650	655	750	510	60	510	525	1958	845	307	1024	505	600	560	490	175	155	56	80	6950	540

Type	Shafts Keys		Arbres Clavettes		Wellen Paßfeder		Assen Spieën DIN 6885-T1 "FormA"				
	D-m6	L	X	Y	Z	ZZ	DD-m6	LD	XD	YD	ZD
QVRJ4	280	470	63	292	3 x M24	140	60	210	18	64	M20
QVRK4	300	470	70	314	3 x M24	140	60	210	18	64	M20
QVRL4	320	510	70	334	3 x M24	140	65	210	18	69	M20
QVRM4	340	550	80	355	3 x M24	250	65	210	18	69	M20

Gear unit	Réducteur à engrenages	Zahnradgetriebe	Tandwielkast	Q
Vertical L.S.S.	Arbre P.V. vertical	Langsamdr. Welle: vert.	Langz. dr. as: vertic.	V
Right-angle shafts	Arbres perpendiculaires	Kegel- und Stirnräder	Haakse assen	R
Size	Taille	Baugröße	Grootte	D - F
Two stages	Deux étages	Zweistufig	Tweetraps	2
Bottom entry gear unit	Réducteur sous le mélangeur	Getriebe unter dem Mischer	Aandrijving onder de menger	B

mm

The user is responsible for the provision of **safety guards** and correct installation of all equipment.

Certified dimensions upon request.

Les dispositifs de protection doivent être prévus par l'utilisateur. Celui-ci est responsable de l'installation correcte de l'ensemble.

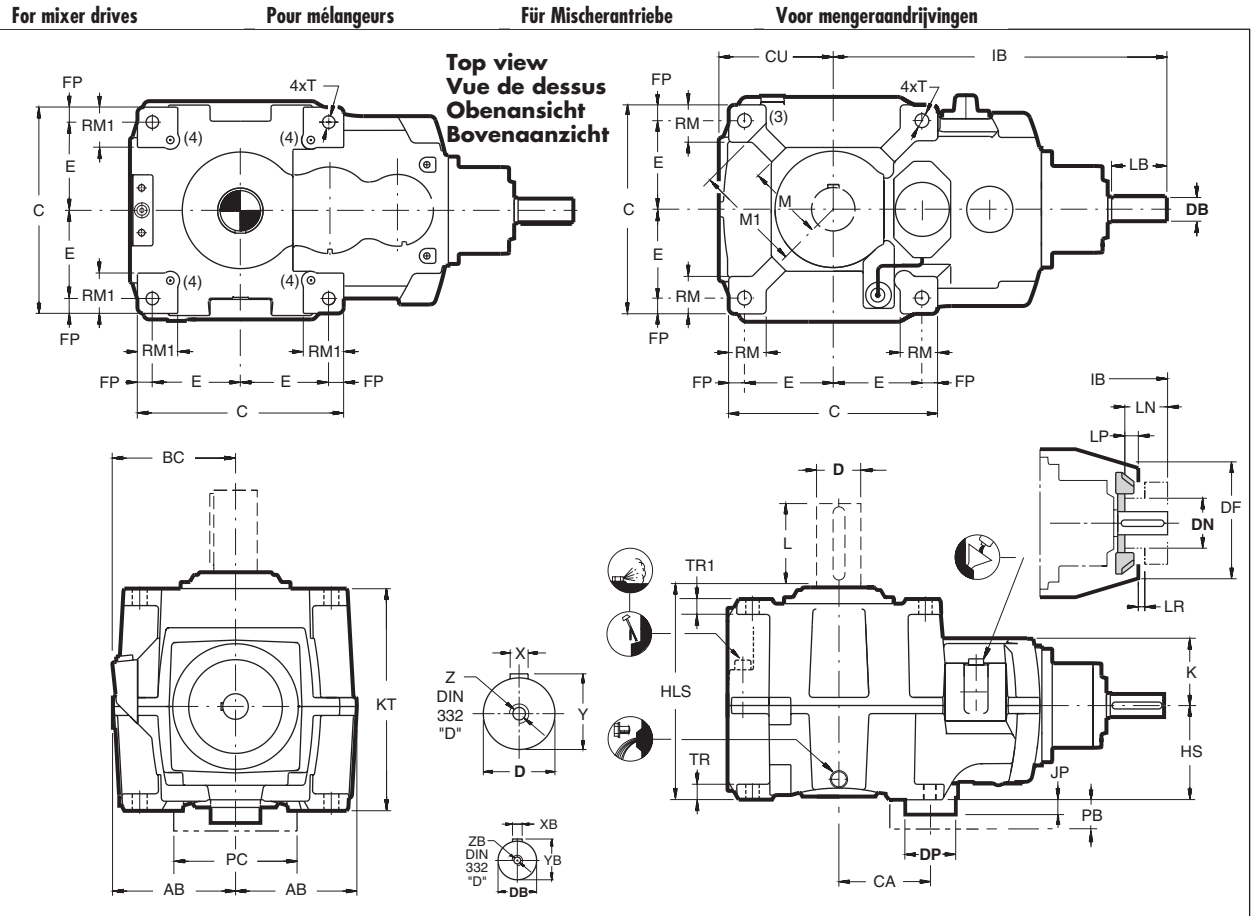
Dimensions définitives sur demande.

Der Benutzer ist verantwortlich für die Beistellung der **Schutzhauben** und das fachgemäße Aufstellen der gesamten Ausrüstung.

Verbindl. Abmessungen auf Wunsch.

De gebruiker is verantwoordelijk voor hetvoorzien van de **beschermkappen** en het vakkundig installeren van de volledige uitrusting.

Bindende afmetingen op verzoek.

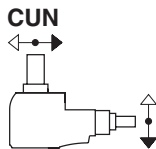


- (1) Space for pump removal
- (2) Shaft execution according to customer specification.
- (3) Minimum mounting pad surface, see page C44
- (4) dowel pins

- (1) Espace de dégagement de la pompe
- (2) Exécution d'arbre suivant spécifications du client.
- (3) Surface de fixation minimale aux patentes de fixation, voir page C44
- (4) goupilles

- (1) Freier Raum für Demontage der Pumpe
- (2) Wellenausführung gemäß Kundenspezifikation.
- (3) Mindestbefestigungsoberfläche an den Befestigungsvoeten, siehe Seite C44
- (4) Spannstifte

- (1) Vrije ruimte voor demontage pomp
- (2) Asuitvoering volgens specificaties van de klant.
- (3) Minimum bevestigingsoppervlak aan de bevestigingsvoeten, zie blz. C44
- (4) paspennen



Shaft arrangements
(front view)

Dispositions des arbres
(vue en élévation)

Wellenanordnungen
(Vorderansicht)

Asschikkingen
(vooraanzicht)

Type	AB	BC	C	CU	E	FP	HLS	HS	IB	K	KT	M	M1 (3)	RM	RM1	T	TR	TR1	kg	Litres Liter
QVRD2B	285	290	530	290	225	40	577	245	916	210	522	195	260	95	110	35	40	47	590	29
QVRF2B	365	372	690	370	295	50	715	320	1119	269	635	265	340	135	135	42	52	52	1360	75

Type	Shafts - Arbres - Wellen - Assen Keys - Clavettes - Paßfeder - Spieën DIN 6885-T1 "FormA"										Fan - Ventilateur - Lüfter - Ventilator					Pump - Pompe - Pumpe - Pomp					
	D-m6 (2)		L	X	Y	Z	DB	LB	XB	YB	ZB	DF	DN	LN	LP	LR	CA	DP	JP	PB	PC
	min	max	(2)	(2)	(2)	(2)						max			min		(1)	(1)	(1)		
QVRD2B	115	150					60m6	210	18	64	M20	410	210	185	70	30	226	145	41	95	145
QVRF2B	155	190					75m6	210	20	79,5	M20	600	280	185	10	40	299	170	38	65	280

mm

Gear unit	Réducteur à engrenages	Zahnradgetriebe	Tandwielkast	Q
Vertical L.S.S.	Arbre P.V. vertical	Langsamdr. Welle: vert.	Langz. dr. as: vertic.	V
Parallel/right-angle shafts	Arbres parallèles/perpend.	Stirn-/Kegelräder	Evenwijdige/haakse assen	P / R
Size	Taille	Baugröße	Grootte	C ▶ M
Gear sets	Jeux d'engrenages	Stufenzahl	Tandwielstellen	2 ▶ 4

Mounting pad dimensions	Dimensions de la surface de fixation aux pattes	Befestigungsfläche an den Füßen, Abmessungen	Afmetingen van het bevestigingsoppervlak aan de voeten
--------------------------------	--	---	---

For mixer drives	Pour mélangeurs	Für Mischerantriebe	Voor mengeraandrijvingen
-------------------------	------------------------	----------------------------	---------------------------------

The user is responsible for the provision of **safety guards** and correct installation of all equipment.

Certified dimensions upon request.

Les dispositifs de protection doivent être prévus par l'utilisateur. Celui-ci est responsable de l'installation correcte de l'ensemble.

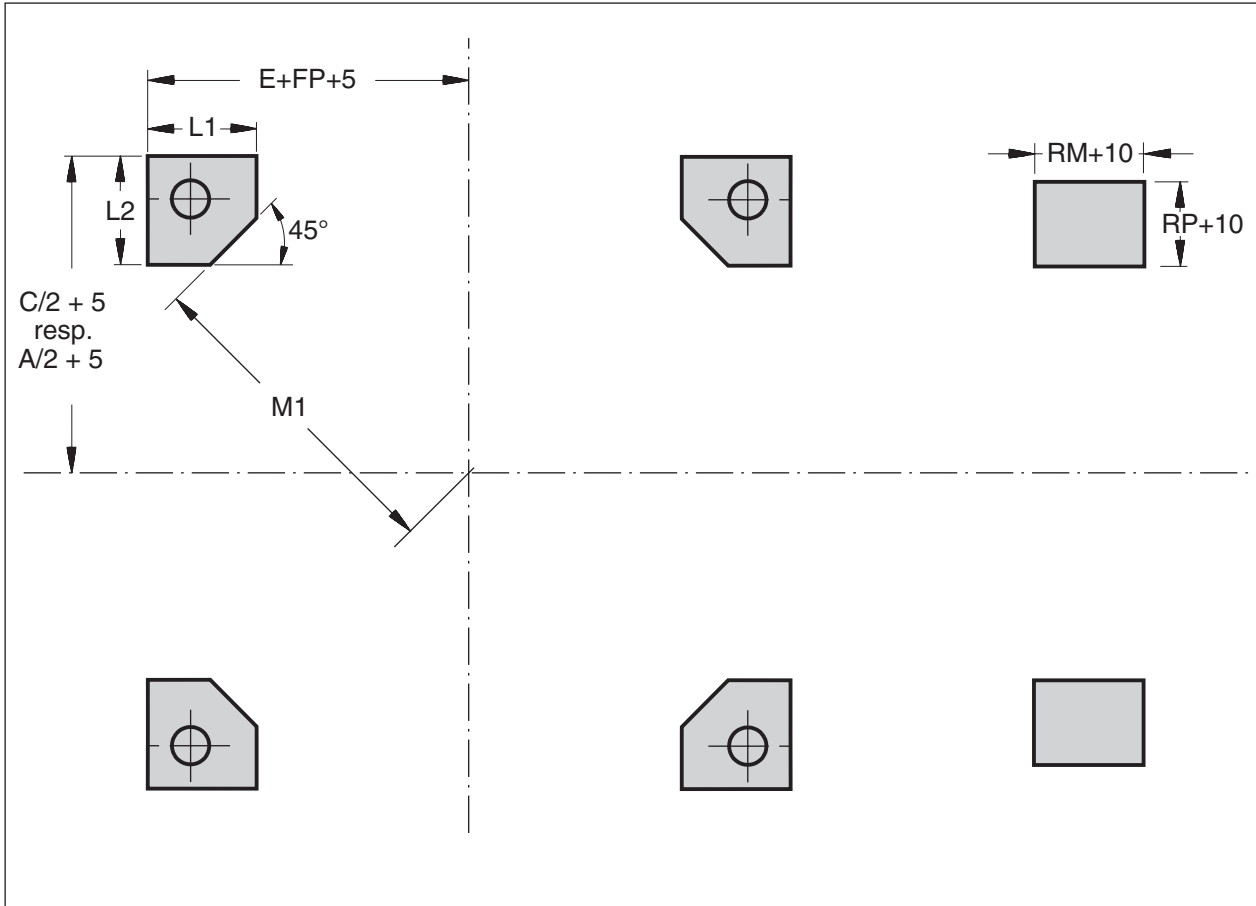
Dimensions définitives sur demande.

Der Benutzer ist verantwortlich für die Beistellung der **Schutzhauben** und das fachgemäße Aufstellen der gesamten Ausrüstung.

Verbindl. Abmessungen auf Wunsch.

De gebruiker is verantwoordelijk voor het voorzien van de **beschermkappen** en het vakkundig installeren van de volledige uitrusting.

Bindende afmetingen op verzoek.



Size - Taille Baugröße - Grootte	C	D	E	F	G	G	H	H	J	K	L	M
Number of stages - Nombre d'étages Stufenzahl - Aantal trappen	2/3/4	2/3/4	2/3/4	2/3/4	2	3/4	2	3/4	2/3/4	2/3/4	2/3/4	2/3/4
M₁	225	260	310	340	360	425	375	425	500	500	600	600
L₁	105	105	115	145	155	160	155	160	170	170	185	185
L₂	105	105	115	145	155	160	155	160	185	185	225	225

Dimensions A, C, E, FP, RM, RP: refer to dimensional drawings Dimensions A, C, E, FP, RM, RP: voir plans d'encombrement Abmessungen A, C, E, FP, RM, RP: siehe Maßzeichnungen Afmetingen A, C, E, FP, RM, RP: zie maattekeningen

The Hansen P4 gear units must be installed on supporting structures with sufficient stiffness and provided with mounting pads lying in the same plane (≤ 0.2 mm out of reference plane).
 Les réducteurs Hansen P4 doivent être montés sur une structure de rigidité suffisante et avec les points de fixation dans le même plan (tolérance ≤ 0.2 mm du plan de référence).
 Die Aufstellung des Hansen P4 Getriebes soll auf einer genügend starren Grundplatte erfolgen mit den Befestigungsfüßen in einer gleichen Ebene (Toleranz ≤ 0.2 mm gegenüber der Bezugsebene).
 De Hansen P4 tandwielkasten moeten op een voldoende stijve basis gemonteerd worden. De bevestigingspunten liggen in eenzelfde vlak (tolerantie ≤ 0.2 mm ten opzichte van het referentievlak).

All gear units must be installed using all feet - 4 or 6 feet. If mounting allows for fixation of 4 feet out of 6 only: refer to us.
 Les réducteurs doivent être fixés en utilisant toutes les pattes de fixation - 4 ou 6 pattes. Pour le cas de fixation par seulement 4 des 6 pattes: consulter nous.
 Die Getriebe werden über allen Befestigungsfüßen verbunden. Falls nur 4 von den 6 Befestigungsfüßen benutzt werden können ist Rückfrage erforderlich.
 De tandwielkasten worden bevestigd door alle steunpunten te gebruiken. Voor het geval waar slechts 4 van de 6 steunpunten kunnen gebruikt worden, raadplegen ons.

The recommended mounting pad dimensions are as per drawing and table, see above.
 Recommandation concernant la surface de fixation au pattes: voir plan d'encombrement et tableau si dessus.
 Empfohlene Abmessungen der Befestigungsfläche an den Füßen: siehe obige Maßzeichnung und Tabelle.
 Aanbevelingen betreffende het bevestigingsoppervlak aan de voeten: zie maattekening en tabel hierboven.

mm

Gear unit	Réducteur à engrenages	Zahnradgetriebe	Tandwielkast	Q
Vertical L.S.S.	Arbre P.V. vertical	Langsamdr. Welle: vert.	Langz. dr. as: vertic.	V
Parallel/right-angle shafts	Arbres paralleles/perpend.	Stirn-/Kegelräder	Evenwijdige/haakse assen	P / R
Size	Taille	Baugröße	Grootte	C ▶ M
Gear sets	Jeux d'engrenages	Stufenzahl	Tandwielstellen	2 ▶ 4
Flange at low speed shaft cover	Bride au couvercle de l'arbre petite vitesse	Flansch am Deckel der Abtriebswelle	Flens aan het deksel van de langzaamdraaiende as	C

For mixer drives

Pour mélangeurs

Für Mischerantriebe

Voor mengeraandrijvingen

The user is responsible for the provision of **safety guards** and correct installation of all equipment.

Certified dimensions upon request.

Les dispositifs de protection doivent être prévus par l'utilisateur. Celui-ci est responsable de l'installation correcte de l'ensemble.

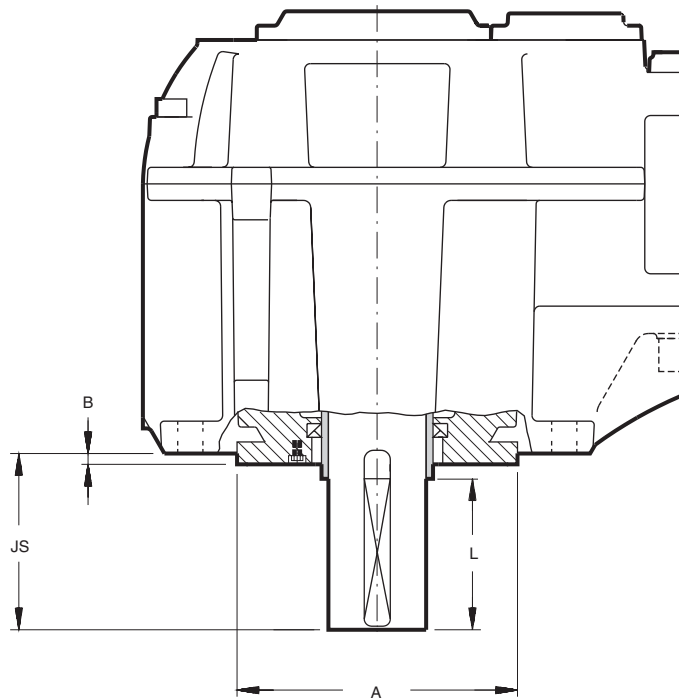
Dimensions définitives sur demande.

Der Benutzer ist verantwortlich für die Beistellung der **Schutzhauben** und das fachgemäße Aufstellen der gesamten Ausrüstung.

Verbindl. Abmessungen auf Wunsch.

De gebruiker is verantwoordelijk voor het voorzien van de **beschermkappen** en het vakkundig installeren van de volledige uitrusting.

Bindende afmetingen op verzoek.



- (1) Dimension JSR due to use of shaft **R**
- (2) Dimension JSE due to use of shaft **E**
- (3) Length of normal solid shaft extension **R** for mixers
- (4) Length of enlarged solid shaft extension **E**

- (1) Dimension JSR suite à l'emploi de l'arbre **R**
- (2) Dimension JSE suite à l'emploi de l'arbre **E**
- (3) Longueur du bout d'arbre **R** pour mélangeur
- (4) Longueur du bout d'arbre **E** renforcé

- (1) Abmessung JSR infolge Verwendung der Welle **R**
- (2) Abmessung JSE infolge Verwendung der Welle **E**
- (3) Länge des normalen Vollwellenendes **R** für Mischer
- (4) Länge des verstärkten Vollwellenendes **E**

- (1) Afmeting JSR door gebruik van as **R**
- (2) Afmeting JSE door gebruik van as **E**
- (3) Lengte van normaal aseind **R** voor mixers
- (4) Lengte van versterkt aseind **E**

Type	øA h9		B	JS		L	
	min.	max.		JSR (1)	JSE (2)	LR (3)	LE (4)
QV.C.C	240	320	6	204	-	194	-
QV.D.C	290	380	6	207	247	196	236
QV.E.C	330	440	6	245	245	234	234
QV.F.C	385	520	6	293	293	282	282
QV.G.C (*)	465	610	10	345	345	330	330
QV.H.C	465	610	10	345	345	330	330
QV.J.C	490	720	10	342	402	327	387
QV.K.C	545	720	10	402	402	387	387
QV.L.C	605	810	10	400	460	385	445
QV.M.C	605	810	10	460	460	445	445
(*) QVRG2C	415	555	10	345	-	330	330

mm

Gear unit	Réducteur à engrenages	Zahnradgetriebe	Tandwielkast	Q
Vertical L.S.S.	Arbre P.V. vertical	Langsamdr. Welle: vert.	Langz. dr. as: vertic.	V
Parallel/right-angle shafts	Arbres parallèles/perpend.	Stirn-/Kegelräder	Evenwijdige/haakse assen	P / R
Size	Taille	Baugröße	Grootte	C ▶ M
Gear sets	Jeux d'engrenages	Stufenzahl	Tandwielstellen	2 ▶ 4
Flange at low speed shaft cover	Bride au couvercle de l'arbre petite vitesse	Flansch am Deckel der Abtriebswelle	Flens aan het deksel van de langzaamdraaiende as	C
Hollow low speed shaft	Arbre petite vitesse creux	Langsamdrehende Hohlwelle	Holle langzaamdraaiende as	..D/K

For mixer drives

Pour mélangeurs

Für Mischerantriebe

Voor mengeraandrijvingen

The user is responsible for the provision of **safety guards** and correct installation of all equipment.

Certified dimensions upon request.

Les dispositifs de protection doivent être prévus par l'utilisateur. Celui-ci est responsable de l'installation correcte de l'ensemble.

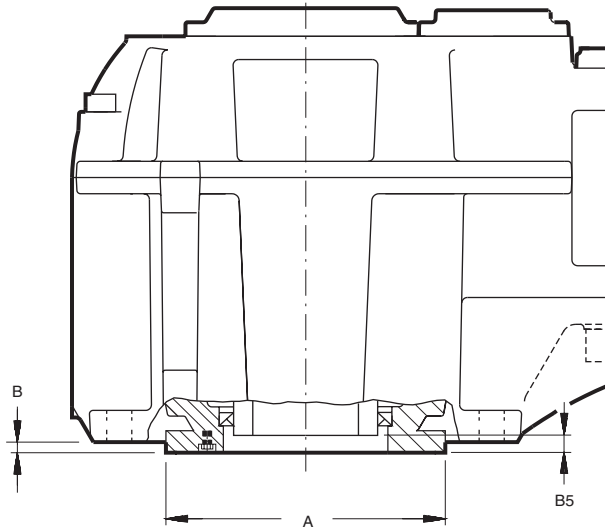
Dimensions définitives sur demande.

Der Benutzer ist verantwortlich für die Beistellung der **Schutzhauben** und das fachgemäße Aufstellen der gesamten Ausrüstung.

Verbindl. Abmessungen auf Wunsch.

De gebruiker is verantwoordelijk voor het voorzien van de **beschermkappen** en het vakkundig installeren van de volledige uitrusting.

Bindende afmetingen op verzoek.



Type	øA h9		B	B5
	min.	max.		
QV.C.C	240	320	6	12
QV.D.C	290	380	6	14
QV.E.C	330	440	6	21
QV.F.C	385	520	6	28
QV.G.C (*)	465	610	10	35
QV.H.C	465	610	10	30
QV.J.C	490	720	10	33
QV.K.C	545	720	10	33
QV.L.C	605	810	10	30
QV.M.C	605	810	10	30
(*) QVRG2C	415	555	10	35

mm

Gear unit	Réducteur à engrenages	Zahnradgetriebe	Tandwielkast	Q
Vertical L.S.S.	Arbre P.V. vertical	Langsamdr. Welle: vert.	Langz. dr. as: vertic.	V
Parallel shafts	Arbres parallèles	Stirnräder	Evenwijdige assen	P
Size	Taille	Baugröße	Grootte	C ▶ M
Gear sets	Jeux d'engrenages	Stufenzahl	Tandwielstellen	2 ▶ 4
Spigot at fixation feet	Epaulement aux pattes	Paßrand an den Befestigungsfüßen	Pasrand aan de bevestigingsvoeten	F

The user is responsible for the provision of **safety guards** and correct installation of all equipment.

Certified dimensions upon request.

Les dispositifs de protection doivent être prévus par l'utilisateur. Celui-ci est responsable de l'installation correcte de l'ensemble.

Dimensions définitives sur demande.

Der Benutzer ist verantwortlich für die Beistellung der **Schutzhauben** und das fachgemäße Aufstellen der gesamten Ausrüstung.

Verbindl. Abmessungen auf Wunsch.

De gebruiker is verantwoordelijk voor het voorzien van de **beschermkappen** en het vakkundig installeren van de volledige uitrusting.

Bindende afmetingen op verzoek.

For mixer drives

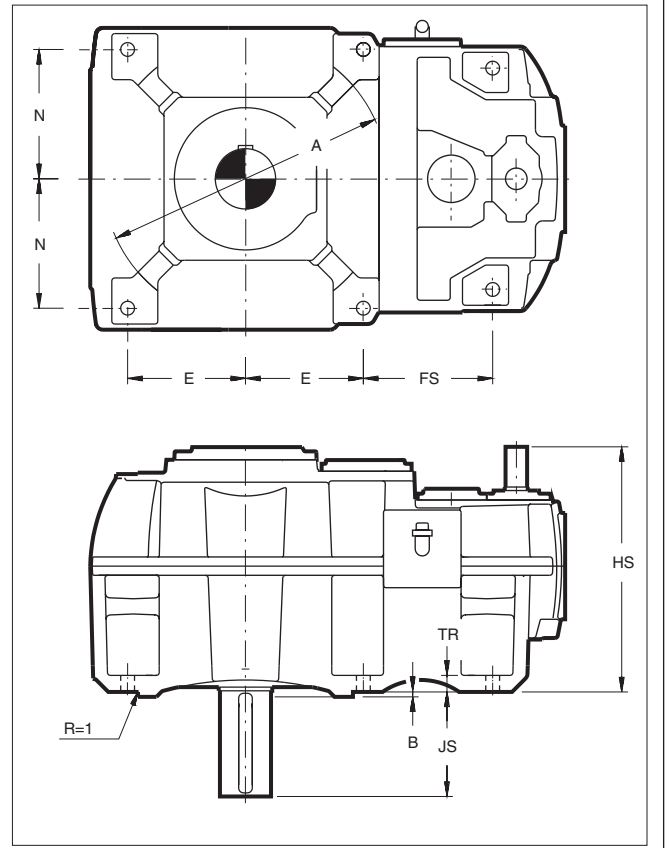
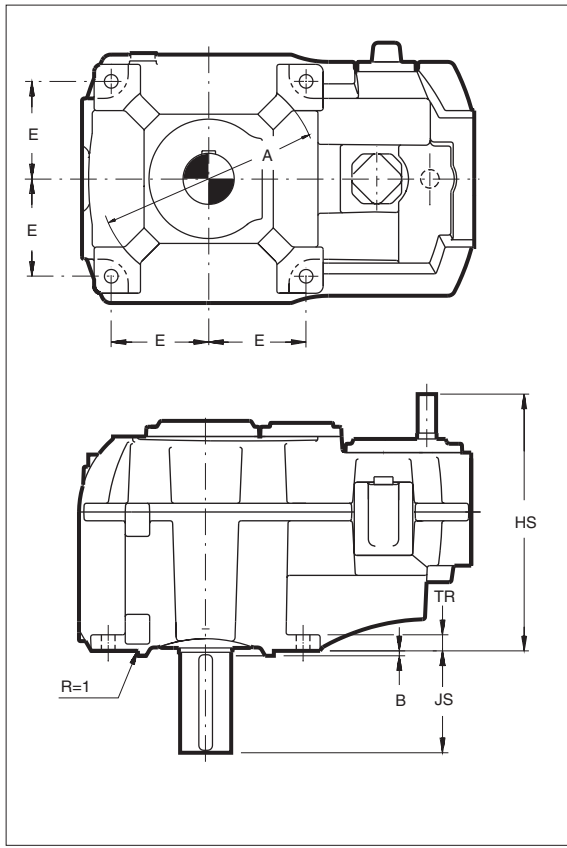
Pour mélangeurs

Für Mischerantriebe

Voor mengeraandrijvingen

QVPC.F ▶ QVPH.F

QVPJ.F ▶ QVPM.F



- (1) Optionally, a high precision centering (tol. h7) spigot at fixation feet is available
- (2) Dimension JSR due to use of shaft **R**
- (3) Dimension JSE due to use of shaft **E**

- (1) En option l'épaulement aux pattes de fixation avec centrage de haute précision (tol. h7) est possible
- (2) Dimension JSR suite à l'emploi de l'arbre **R**
- (3) Dimension JSE suite à l'emploi de l'arbre **E**

- (1) Ein höchst genauer Paßrand (Tol. h7) an den Befestigungsfüßen ist optionell lieferbar
- (2) Abmessung JSR infolge Verwendung der Welle **R**
- (3) Abmessung JSE infolge Verwendung der Welle **E**

- (1) Een precisiepasrand (tol. h7) aan de bevestigingsvoeten is optioneel leverbaar
- (2) Afmeting JSR door gebruik van as **R**
- (3) Afmeting JSE door gebruik van as **E**

Type	øA h9 (1)	B	HS			JS		TR
			QVP.2F	QVP.3F	QVP.4F	JSR (2)	JSE (3)	
QVPC.F	450	5	515	557	-	209	-	33
QVPD.F	520	5	600	613	597	212	252	35
QVPE.F	620	5	660	675	642	250	250	40
QVPF.F	680	5	730	785	713	298	298	47
QVPG.F	850	5	-	810	730	350	350	60
QVPH.F	850	5	-	810	730	350	350	60
QVPJ.F	1000	5	-	860	805	347	407	65
QVPK.F	1000	5	-	860	805	407	407	65
QVPL.F	1200	5	-	1005	935	405	465	75
QVPM.F	1200	5	-	1005	935	465	465	75

Remark: some other dimensions will also change due to spigot at fixation feet: KT : - 5 mm
JP, PB : + 5 mm

Remarque: d'autres dimensions se changeront également à cause de l'épaulement aux pattes de fixation: KT : - 5 mm
JP, PB : + 5 mm

Bemerkung: bestimmte andere Abmessungen werden sich ebenfalls ändern wegen dem Paßrand an den Befestigungsfüßen: KT : - 5 mm
JP, PB : + 5 mm

Nota: sommige andere afmetingen zullen ook veranderen door de pasrand aan de bevestigingsvoeten: KT : - 5 mm
JP, PB : + 5 mm

mm

Gear unit	Réducteur à engrenages	Zahnradgetriebe	Tandwielkast	Q
Vertical L.S.S.	Arbre P.V. vertical	Langsamdr. Welle: vert.	Langz. dr. as: vertic.	V
Right-angle shafts	Arbres perpendiculaires	Kegel- und Stirnräder	Haakse assen	R
Size	Taille	Baugröße	Grootte	C ▶ M
Gear sets	Jeux d'engrenages	Stufenzahl	Tandwielstellen	2 ▶ 4
Spigot at fixation feet	Epaulement aux pattes	Paßrand an den Befestigungsfüßen	Pasrand aan de bevestigingsvoeten	F

The user is responsible for the provision of **safety guards** and correct installation of all equipment.

Certified dimensions upon request.

Les dispositifs de protection doivent être prévus par l'utilisateur. Celui-ci est responsable de l'installation correcte de l'ensemble.

Dimensions définitives sur demande.

Der Benutzer ist verantwortlich für die Beistellung der **Schutzhauben** und das fachgemäße Aufstellen der gesamten Ausrüstung.

Verbindl. Abmessungen auf Wunsch.

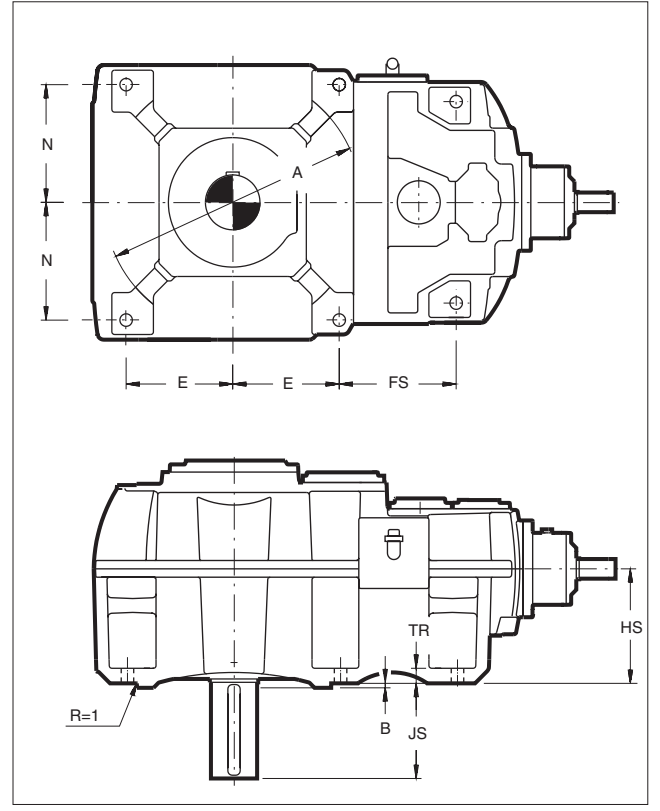
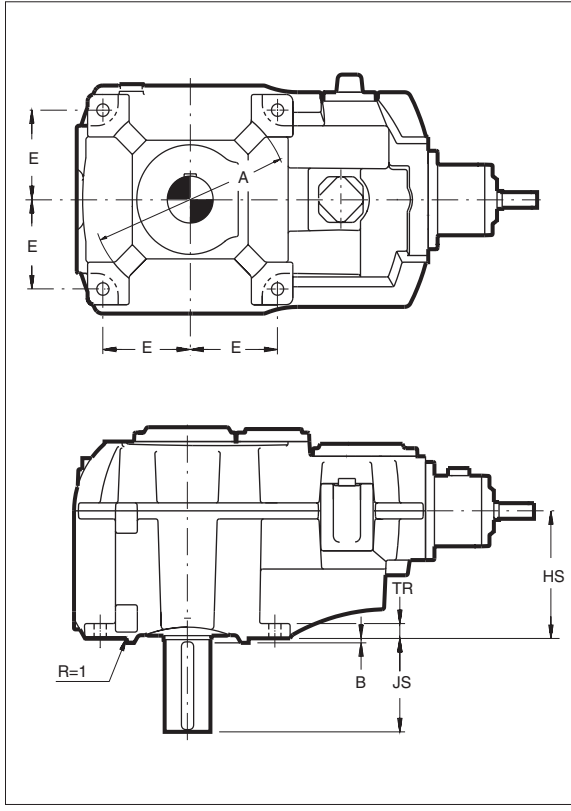
De gebruiker is verantwoordelijk voor het voorzien van de **beschermkappen** en het vakkundig installeren van de volledige uitrusting.

Bindende afmetingen op verzoek.

For mixer drives Pour mélangeurs Für Mischerantriebe Voor mengeraandrijvingen

QVRC2F ▶ QVRF2F
QVRC3/4F ▶ QVRH3/4F

QVRG2F ▶ QVRH2F
QVRJ.F ▶ QVRM.F



(1) Optionally, a high precision centering (tol. h7) spigot at fixation feet is available
(2) Dimension JSR due to use of shaft **R**
(3) Dimension JSE due to use of shaft **E**

(1) En option l'épaulement aux pattes de fixation avec centrage de haute précision (tol. h7) est possible
(2) Dimension JSR suite à l'emploi de l'arbre **R**
(3) Dimension JSE suite à l'emploi de l'arbre **E**

(1) Ein höchst genauer Paßrand (Tol. h7) an der Befestigungsfüßen ist optionell lieferbar
(2) Abmessung JSR infolge Verwendung der Welle **R**
(3) Abmessung JSE infolge Verwendung der Welle **E**

(1) Een precisiepasrand (tol. h7) aan de bevestigingsvoeten is optioneel leverbaar
(2) Afmeting JSR door gebruik van as **R**
(3) Afmeting JSE door gebruik van as **E**

Type	øA h9 (1)	B	HS		JS		TR
			QVR.2F	QVR.3/4F	JSR (2)	JSE (3)	
QVRC.F	450	5	210	285	209	-	33
QVRD.F	520	5	240	325	212	252	35
QVRE.F	620	5	275	370	250	250	40
QVRF.F	680	5	315	425	298	298	47
QVRG2F	680	5	385	-	350	350	55
QVRG3/4F	850	5	-	425	350	350	60
QVRH2F	730	5	385	-	350	350	55
QVRH3/4F	850	5	-	425	350	350	60
QVRJ2F	860	5	445	-	347	407	65
QVRJ3/4F	1000	5	-	445	347	407	65
QVRK2F	860	5	445	-	407	407	65
QVRK3/4F	1000	5	-	445	407	407	65
QVRL2F	1000	5	520	-	405	465	75
QVRL3/4F	1200	5	-	520	405	465	75
QVRM2F	1070	5	520	-	465	465	75
QVRM3/4F	1200	5	-	520	465	465	75

Remark: some other dimensions will also change due to spigot at fixation feet: KT : - 5 mm
JP, PB : + 5 mm

Remarque: d'autres dimensions changeront également à cause de l'épaulement aux pattes de fixation: KT : - 5 mm
JP, PB : + 5 mm

Bemerkung: bestimmte andere Abmessungen werden sich ebenfalls ändern wegen dem Paßrand an den Befestigungsfüßen: KT : - 5 mm
JP, PB : + 5 mm

Nota: sommige andere afmetingen zullen ook veranderen door de pasrand aan de bevestigingsvoeten: KT : - 5 mm
JP, PB : + 5 mm

mm

Gear unit	Réducteur à engrenages	Zahnradgetriebe	Tandwielkast	Q
Vertical L.S.S.	Arbre P.V. vertical	Langsamdr. Welle: vert.	Langz. dr. as: vertic.	V
Right-angle shafts	Arbres perpendiculaires	Kegel-und Stirnräder	Haakse assen	R
Size	Taille	Baugröße	Grootte	D - F
Gear sets	Jeux d'engrenages	Stufenzahl	Tandwielstellen	2
Bottom entry gear unit with spigot	Réducteur sous le mélangeur avec épaulement	Getriebe unter dem Mischer mit Paßrand	Aandrijving onder de menger met pasrand	D

For mixer drives

Pour mélangeurs

Für Mischerantriebe

Voor mengeraandrijvingen

The user is responsible for the provision of **safety guards** and correct installation of all equipment.

Certified dimensions upon request.

Les dispositifs de protection doivent être prévus par l'utilisateur. Celui-ci est responsable de l'installation correcte de l'ensemble.

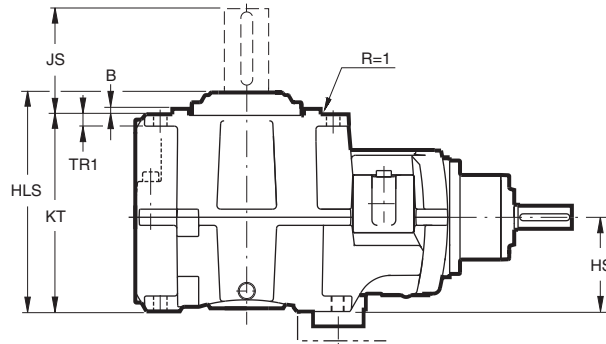
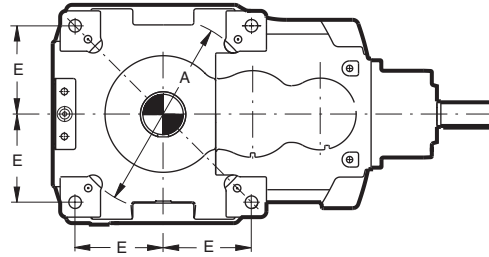
Dimensions définitives sur demande.

Der Benutzer ist verantwortlich für die Beistellung der **Schutzhauben** und das fachgemäße Aufstellen der gesamten Ausrüstung.

Verbindl. Abmessungen auf Wunsch.

De gebruiker is verantwoordelijk voor het voorzien van de **beschermkappen** en het vakkundig installeren van de volledige uitrusting.

Bindende afmetingen op verzoek.



(1) Optionally, a high precision centering (tol. h7) spigot at fixation feet is available
(2) Shaft execution according to customer specification.

Type	∅A h9 (1)	B	E	HLS	HS	JS (2)	KT	TR1
QVRD2D	520	5	225	577	245		517	42
QVRF2D	680	5	295	715	320		630	47

(1) En option l'épaulement aux pattes de fixation avec centrage de haute précision (tol. h7) est possible
(2) Exécution d'arbre suivant spécifications du client.

(1) Ein höchst genauer Paßrand (Tol. h7) an der Befestigungsfüßen ist optionell lieferbar
(2) Wellenausführung gemäß Kundenspezifikation.

(1) Een precisiepasrand (tol. h7) aan de bevestigingsvoeten is optioneel leverbaar
(2) Asuitvoering volgens specificaties van de klant.

mm

Gear unit	Réducteur à engrenages	Zahnradgetriebe	Tandwielkast	Q
Low speed shaft	Arbre petite vitesse	Langsamdrehende Welle	Langzaamdraaiende as	V
Parallel/right-angle shafts	Arbres parallèles/perpend.	Stirn-/Kegelräder	Evenwijdige/haakse assen	P / R
Size	Taille	Baugröße	Grootte	C ▶ M
Gear sets	Jeux d'engrenages	Stufenzahl	Tandwielstellen	2 ▶ 4
Available space for removal of dipstick and magnetic plug	Espace de dégagement pour démontage de la jauge d'huile et du bouchon aimanté	Freier Raum für Demontage des Ölmeßstabes und der Magnetschraube	Vrije ruimte voor demontage van oliepeilstang en magneetstop	

The user is responsible for the provision of **safety guards** and correct installation of all equipment.

Certified dimensions upon request.

Les dispositifs de protection doivent être prévus par l'utilisateur. Celui-ci est responsable de l'installation correcte de l'ensemble.

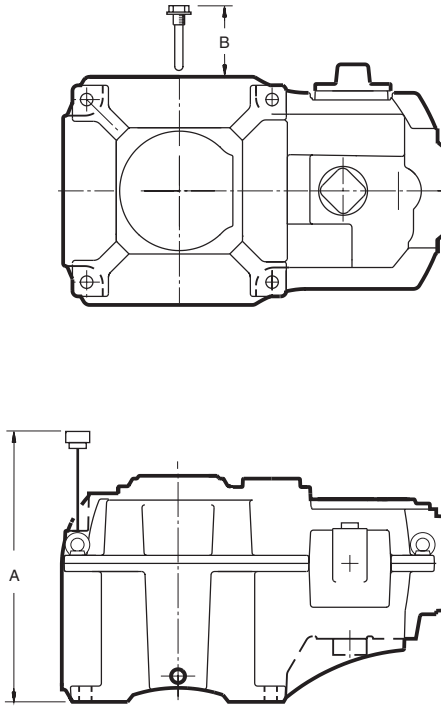
Dimensions définitives sur demande.

Der Benutzer ist verantwortlich für die Beistellung der **Schutzhauben** und das fachgemäße Aufstellen der gesamten Ausrüstung.

Verbindl. Abmessungen auf Wunsch.

De gebruiker is verantwoordelijk voor het voorzien van de **beschermkappen** en het vakkundig installeren van de volledige uitrusting.

Bindende afmetingen op verzoek.



Size - Taille - Baugröße - Grootte	A			B
	QV..2	QV..3	QV..4	
C	525	665	-	-
D	565	720	720	-
E	605	785	785	-
F	650	855	855	145
G	785	910	910	170
H	785	910	910	170
J	860	810	815	245
K	860	810	815	245
L	1000	965	950	245
M	1000	965	950	245

Gear unit	Réducteur à engrenages	Zahnradgetriebe	Tandwielkast	Q
Low speed shaft	Arbre petite vitesse	Langsamdrehende Welle	Langzaamdraaiende as	V
Parallel/right-angle shafts	Arbres parallèles/perpend.	Stirn-/Kegelräder	Evenwijdige/haakse assen	P / R
Size	Taille	Baugröße	Grootte	C ▶ M
Gear sets	Jeux d'engrenages	Stufenzahl	Tandwielstellen	2 ▶ 4

mm

The user is responsible for the provision of **safety guards** and correct installation of all equipment.

Certified dimensions upon request.

Les dispositifs de protection doivent être prévus par l'utilisateur. Celui-ci est responsable de l'installation correcte de l'ensemble.

Dimensions définitives sur demande.

Der Benutzer ist verantwortlich für die Beistellung der **Schutzhauben** und das fachgemäße Aufstellen der gesamten Ausrüstung.

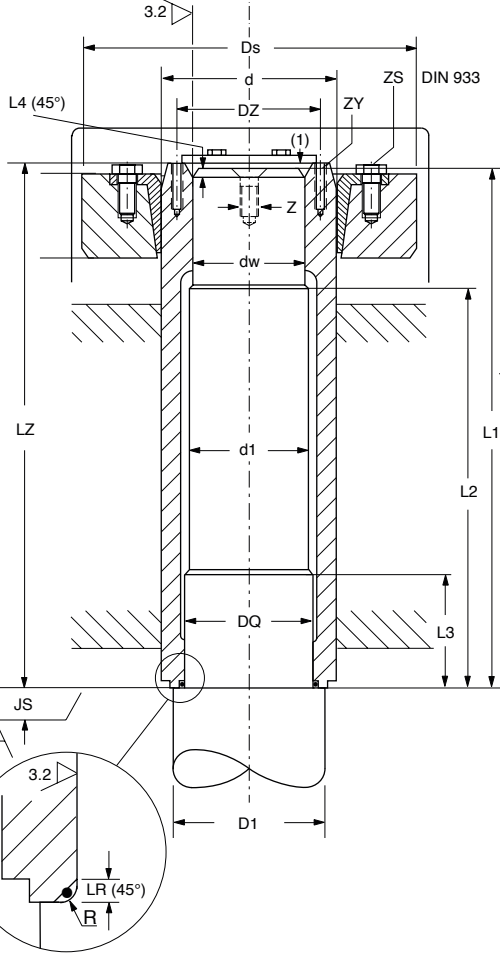
Verbindl. Abmessungen auf Wunsch.

De gebruiker is verantwoordelijk voor het voorzien van de **beschermkappen** en het vakkundig installeren van de volledige uitrusting.

Bindende afmetingen op verzoek.

Hollow low speed shaft	Arbre petite vitesse creux	Langsamdrehende Hohlwelle	Holle langsamdraaiende as	..D
Shrink disc connection	Frettes à disques de serrage	Schrumpfscheibenverbindung	Krimpschijfverbinding	

Machine shaft dimensions Dimensions arbre machine Abmessungen Maschinenwelle Afmetingen machineas



- (1) If a thrust load occurs, which is not taken up by the shoulder on the machine shaft, a thrust washer would need to be provided.
- (1) Lors d'une charge axiale non reprise par le collet de l'arbre machine, l'utilisation d'une rondelle de butée est indispensable.
- (1) Bei axialen Kräften, die nicht vom Wellenbund der Maschinenwelle aufgenommen werden, ist die Verwendung einer Druckscheibe unerlässlich.
- (1) Bij axiale belasting, die zo gericht is dat ze niet door de kraag van de machineas wordt opgenomen, is het gebruik van een drukschijf noodzakelijk.
- (2) M24 as per DIN 332 - "Form D"
- (2) M24 suivant DIN 332 - "Exécution D"
- (2) M24 nach DIN 332 - "Form D"
- (2) M24 volgens DIN 332 - "Form D"
- (3) Minimum yield strength of machine shaft: $Re \geq 330 \text{ N/mm}^2$
- (3) Limite d'élasticité min. de l'arbre de la machine: $Re \geq 330 \text{ N/mm}^2$
- (3) Min. Streckgrenze der Maschinenwelle: $Re \geq 330 \text{ N/mm}^2$
- (3) Min. vloeigrens van de machineas: $Re \geq 330 \text{ N/mm}^2$
- (4) For QV... and QV...C executions
- (4) Pour des exécutions QV... et QV...C
- (4) Für Ausführungen QV... und QV...C
- (4) Voor uitvoeringen QV... en QV...C
- (5) For QV...F execution
- (5) Pour l'exécution QV...F
- (5) Für Ausführung QV...F
- (5) Voor uitvoering QV...F

Type	Shrink disc - Disque de serrage Schrumpfscheibe - Krimpschijf			Hollow shaft - Arbre creux Hohlwelle - Holle as						Machine shaft - Arbre machine Maschinenwelle - Machineas (3)									
	d	Ds	ZS	JS (4)	JSF (5)	LZ	LR	ZY	DZ	dw	d1	DQ h7	D1 min	L1	L2	L3	L4	R	Z (2)
QV.C..	140	230	M14	6	1	577	6	6xM6	127	113h6	114	115	130	574	495	68	3	5	M24
QV.D..	165	290	M16	8	3	650	6	4xM8	145	128h6	129	130	145	647	555	78	3	5	M24
QV.E..	185	320	M16	15	10	738	6	4xM10	166	148h6	149	150	165	734	630	93	4	5	M30
QV.F..	220	370	M20	22	17	821	6	4xM12	195	168g6	169	170	185	817	690	117	4	5	M30
QV.G..	240	405	M20	25	20	886	6	6xM12	210	185g6	188	190	205	882	755	117	4	5	M30
QV.H..	260	430	M20	20	15	908	7	6xM12	230	205g6	208	210	230	903	765	126	5	6	M36
QV.J..	280	460	M20	23	18	1014	7	6xM12	250	225g6	228	230	250	1009	855	141	5	6	M36
QV.K..	320	520	M24	23	18	1024	7	6xM16	285	255g6	258	260	280	1019	855	151	5	6	M36
QV.L..	340	570	M24	20	15	1181	7	6xM16	305	275g6	278	280	300	1176	1000	162	5	6	M36
QV.M..	360	590	M24	20	15	1188	7	6xM16	325	295g6	298	300	320	1183	1000	167	5	6	M36

mm

The user is responsible for the provision of **safety guards** and correct installation of all equipment.

Certified dimensions upon request.

Les dispositifs de protection doivent être prévus par l'utilisateur. Celui-ci est responsable de l'installation correcte de l'ensemble.

Dimensions définitives sur demande.

Der Benutzer ist verantwortlich für die Beistellung der **Schutzhauben** und das fachgemäße Aufstellen der gesamten Ausrüstung.

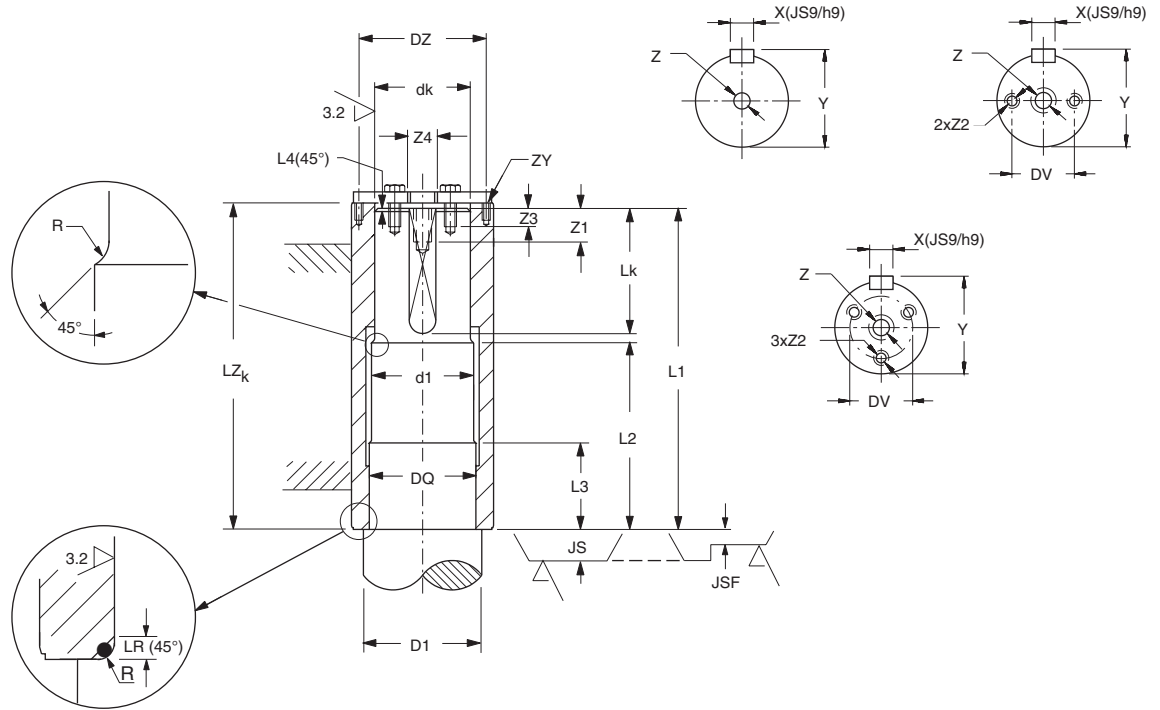
Verbindl. Abmessungen auf Wunsch.

De gebruiker is verantwoordelijk voor het voorzien van de **beschermkappen** en het vakkundig installeren van de volledige uitrusting.

Bindende afmetingen op verzoek.

Gear unit	Réducteur à engrenages	Zahnradgetriebe	Tandwielkast	Q
Low speed shaft	Arbre petite vitesse	Langsamdrehende Welle	Langzaamdraaiende as	V
Parallel/right-angle shafts	Arbres parallèles/perpend.	Stirn-/Kegeelräder	Evenwijdige/haakse assen	P / R
Size	Taille	Baugröße	Grootte	C ▶ M
Gear sets	Jeux d'engrenages	Stufenzahl	Tandwielstellen	2 ▶ 4
Hollow low speed shaft	Arbre petite vitesse creux	Langsamdrehende Hohlwelle	Holle langzaamdraaiende as	..K
Keyed connection	Clavetage	Paßfeder	Spieverbinding	

Machine shaft dimensions Dimensions arbre machine Abmessungen Maschinenwelle Afmetingen machineas



(1) Keyways compl. with ISO/R773-1969
(2) For QV... and QV...C executions
(3) For QV...F execution

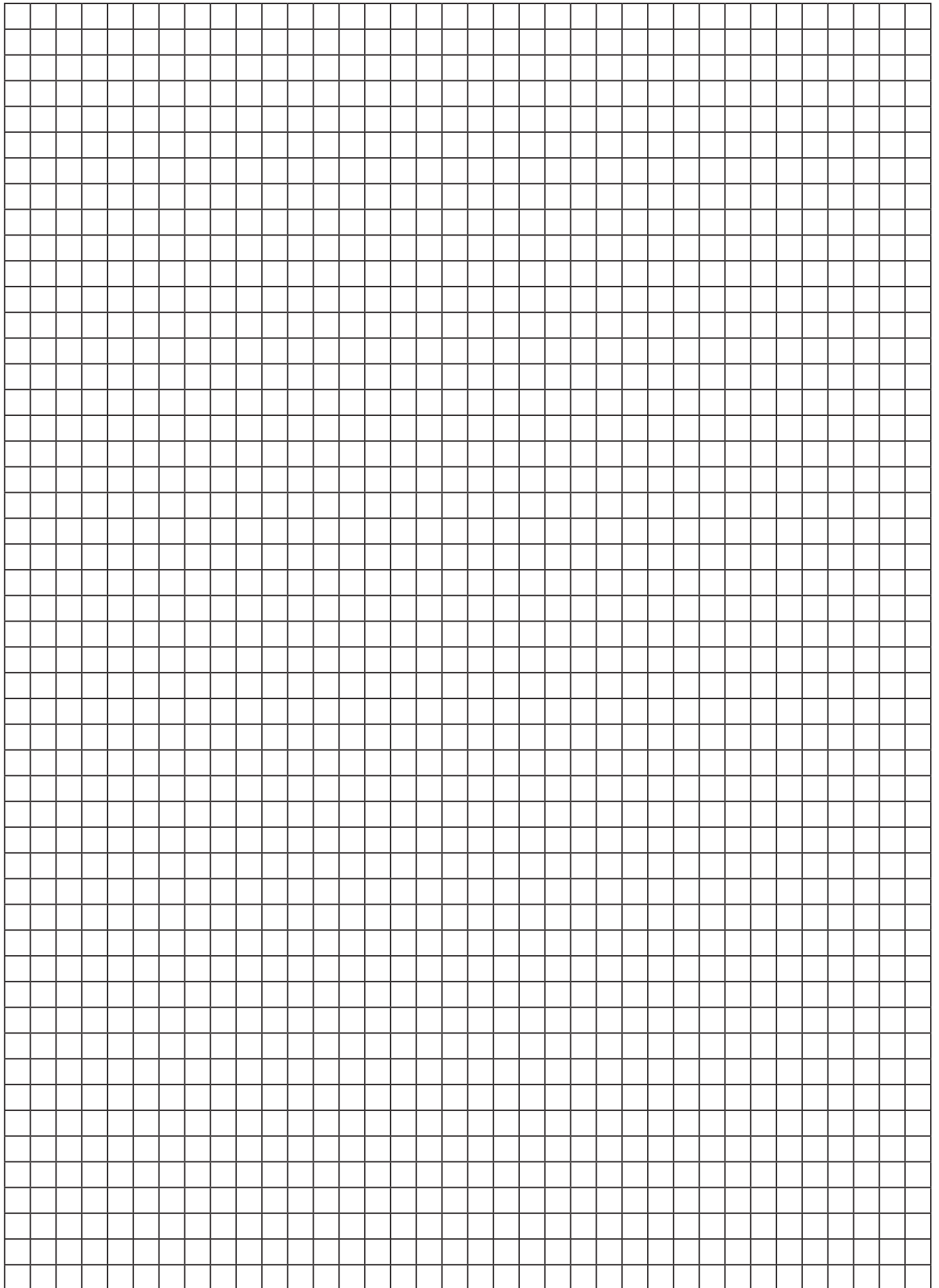
(1) Rainures de clavette suivant ISO/R773-1969
(2) Pour des exécutions QV... et QV...C
(3) Pour l'exécution QV...F

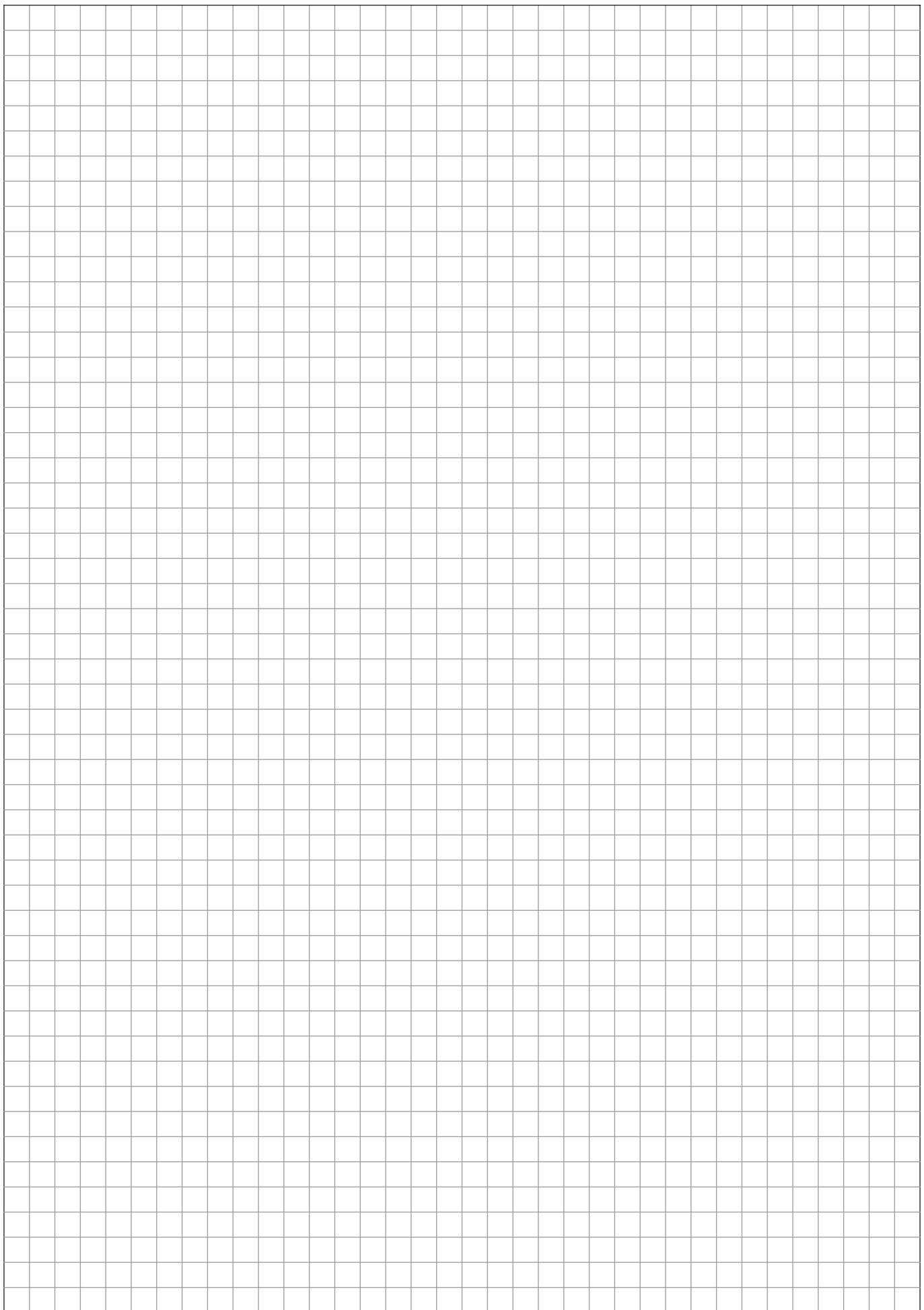
(1) Paßfedernuten nach DIN 6885-T1
(2) Für Ausführungen QV... und QV...C
(3) Für Ausführung QV...F

(1) Spiebanen volgens ISO/R773-1969
(2) Voor uitvoeringen QV... en QV...C
(3) Voor uitvoering QV...F

Type	Hollow shaft - Arbre creux - Hohlwelle - Holle as (1)						
	JS (2)	JSF (3)	LZ _k	LR	ZY	DZ	Z4
QV.C..	6	1	493	6	4 x M10	120	M30
QV.D..	8	3	554	6	4 x M12	145	M30
QV.E..	15	10	620	6	4 x M12	165	M36
QV.F..	22	17	683	6	6 x M12	190	M36
QV.G..	25	20	744	6	4 x M16	210	M36
QV.H..	20	15	754	7	4 x M16	230	M42
QV.J..	23	18	847	7	6 x M16	250	M42
QV.K..	23	18	847	7	6 x M16	280	M42
QV.L..	20	15	989	7	6 x M20	300	M42
QV.M..	20	15	989	7	6 x M20	320	M42

Type	Machine shaft - Arbre machine - Maschinenwelle - Machineas																
	dk h6	d1	DQ h7	D1 min	L1	L2	L3	L4	Lk	R	Z	Z1	Z2	Z3	DV	X	Y
QV.C..	100	114	115	130	490	323	134	3	145	5	M24	50	-	-	-	28	106
QV.D..	115	129	130	145	551	359	157	3	170	5	M24	50	-	-	-	32	122
QV.E..	135	149	150	165	616	400	178	4	195	5	M30	60	2xM12	25	95	36	143
QV.F..	155	169	170	185	679	428	212	4	230	5	M30	60	2xM16	30	105	40	164
QV.G..	175	188	190	205	740	464	235	4	255	5	M30	60	2xM16	30	125	45	185
QV.H..	195	208	210	230	749	429	279	5	300	6	M36	75	3xM16	30	145	45	205
QV.J..	215	228	230	250	842	502	296	5	320	6	M36	75	3xM16	30	165	50	226
QV.K..	235	258	260	280	842	477	308	5	335	6	M36	75	3xM16	30	185	56	247
QV.L..	255	278	280	300	984	554	374	5	400	6	M36	75	3xM24	35	180	56	267
QV.M..	275	298	300	320	984	484	441	5	470	6	M36	75	3xM24	35	200	63	287





Worldwide locations

World Headquarters JAPAN

Sumitomo Heavy Industries Ltd.
PTC Group
Think Park Tower, 1-1
Osaki 2-chome
Shinagawa-ku, Tokyo 141-6025, Japan
www.cyclo.shi.co.jp
www.sumitomodrive.com

Headquarters & Manufacturing CHINA

Sumitomo (SHI) Cyclo Drive China, Ltd. Shanghai Branch
10F, SMEG Plaza, No.1386
Hongqiao Road
Shanghai, China (P.C.200336)

Headquarters & Manufacturing EUROPE

Germany

Sumitomo (SHI) Cyclo Drive Germany GmbH
European Headquarters
Cyclostraße 92
85229 Markt Indersdorf
Germany
Tel. +49 8136 66-0
www.sumitomodrive.com

Our Subsidiaries & Sales Offices in EUROPE, MIDDLE EAST, AFRICA & INDIA

Austria

Sumitomo (SHI) Cyclo Drive Germany GmbH
Sales Office Austria
Gruentalerstraße 30 A
4020 Linz, Austria
Tel. +43 732 330958

Belgium, Netherlands, Luxemburg

Hansen Industrial Transmissions NV
Leonardo da Vincilaan 1-3
2650 Edegem, Belgium
Tel. +32 3 450 12 11

France

SM-Cyclo France S.A.S.
8 Avenue Christian Doppler
77700 Serris, France
Tel. +33 1 64171717

India

Sumi-Cyclo Drive India Pvt. Ltd.
Gat No. 186, Global Raisonni Industrial Park
Alandi Markal Road, Fulgao
Pune 411 033, India
Tel. +91 20 6674 2900

Italy

SM-Cyclo Italy S.R.L.
Via dell'Artigianato 23
20007 Cornaredo (MI), Italy
Tel. +39 02 93481101

Middle East

Hansen Industrial Transmissions NV
Leonardo da Vincilaan 1-3
2650 Edegem, Belgium
Tel. +32 3 450 12 11

Headquarters & Manufacturing AMERICAS

Sumitomo Drive Technologies
Sumitomo Machinery Corp. of America
4200 Holland Boulevard
Chesapeake, VA 23323, USA
www.sumitomodrive.com

Headquarters ASIA PACIFIC

Sumitomo (SHI) Cyclo Drive Asia Pacific Pte. Ltd.
15 Kwong Min Road
Singapore, 628718 Singapore

Belgium

Hansen Industrial Transmissions NV
Leonardo da Vincilaan 1-3
2650 Edegem
Belgium
Tel. +32 3 450 12 11
www.sumitomodrive.com

Sweden, Denmark, Norway, Finland, Estonia, Latvia – NORDIC

SM-Cyclo UK, Ltd.
Unit 29, Bergen Way,
Sutton Fields Industrial Estate
Kingston upon Hull
HU7 0YQ, East Yorkshire, United Kingdom
Tel. +44 1482 790340

Spain

Sociedad Industrial de Transmisiones, S.A.
Paseo de Ubarburu, 67
20014 San Sebastián
Tel. + 34 943 457 200

South Africa, Sub-Saharan Africa – Sales Partner

BMG BEARING MAN GROUP (PTY) LTD
PO Box 33431; Jeppestown
Johannesburg 2043; South Africa
Tel. +27 11 620 1615

Turkey

Sumitomo Cyclo Güç Aktarım Sis. Tic. Ltd.Sti.
Barbaros Mh. Çiğdem Sk. Ağaoğlu My Office İş Mrk.
No:1 Kat:4 D.18 34746 Ataşehir / Istanbul – Turkey
Tel. +90 216 250 6069

United Kingdom

SM-Cyclo UK, Ltd.
Unit 29, Bergen Way,
Sutton Fields Industrial Estate
Kingston upon Hull
HU7 0YQ, East Yorkshire, United Kingdom
Tel. +44 1482 790340